

ITEM	PART#	DESCRIPTION	QTY	UOM
A,B	436400300	MicroFit 3.0 Plug SR Pnl Mnt 3Ckt	2	PC
C	430310021	MICROFIT 3.0 M CRP TERM CHN TIN 18AWG	6	PC
D	--	PAPER PRINTED PAPER WHITE	1	PC

FROM	TO	DESCRIPTION	COLOR
A1	B3	1X18AWG DISC SR-PVC BK UL10002	BLACK
A2	B2	1X18AWG DISC SR-PVC BK UL10002	BLACK
A3	B1	1X18AWG DISC SR-PVC BK UL10002	BLACK

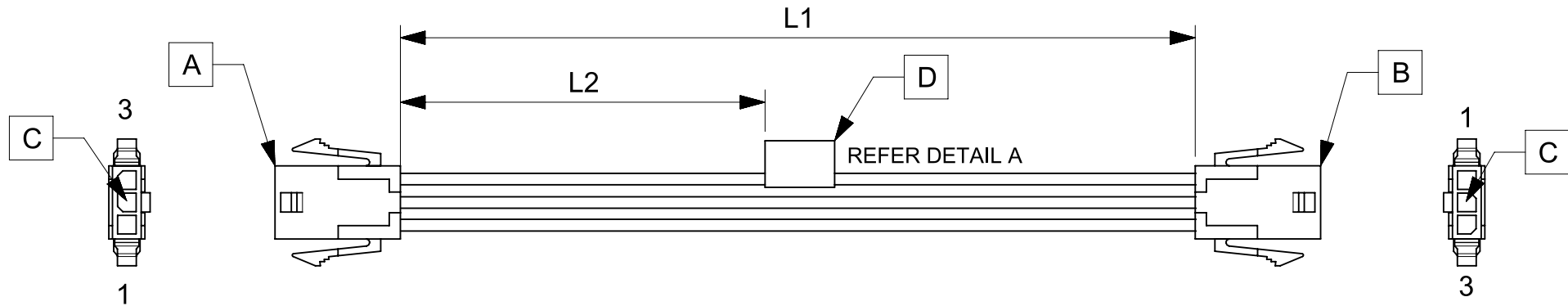


TABLE			
PART NUMBER	L1	L2	TITLE
2147521031	150±8	63 REF	MICROFIT 3.0 SR P-P 3CKT 150 MM Sn
2147521032	300±10	138 REF	MICROFIT 3.0 SR P-P 3CKT 300 MM Sn
2147521033	600±10	288 REF	MICROFIT 3.0 SR P-P 3CKT 600 MM Sn

**NOTES**

1. Cable assembly must pass 100% continuity and polarity test.
2. Connector view shown is from mating side.
3. Label text must be 2mm max. in height with Arial font.
4. Label must be wrapped in Flag type on a single cable.

PRE-RELEASE  
 REFERENCE  
 USE ONLY

MOLEX P/N  
 MOLEX  
 BATCH WK/YR  
 DETAIL A

REVISION			
DATE	REV	DESCRIPTION	CHANGER
2020/02/29	A	INITIAL RELEASE	ARAJU

THIS DRAWING CONTAINS INFORMATION THAT IS PROPRIETARY TO MOLEX ELECTRONIC TECHNOLOGIES, LLC AND SHOULD NOT BE USED WITHOUT WRITTEN PERMISSION										
<b>SYMBOLS</b> ∇ = 0 ∇ = 0 ∇ = 0 ∇ = 0 ∇ = 0 ∇ = 0 ∇ = 0 ∇ = 0 ∇ = 0 ∇ = 0 ∇ = 0 ∇ = 0	DIMENSION UNITS <b>mm</b>	SCALE <b>NTS</b>	CURRENT REV DESC:							
	GENERAL TOLERANCES (UNLESS SPECIFIED)		EC NO: 637489							
ANGULAR TOL ± °		DRWN: ARAJU 2020/02/29								
4 PLACES ±		CHK'D: RDESAI01 2020/05/14								
3 PLACES ±		APPR: RDESAI01 2020/05/14								
2 PLACES ±		INITIAL REVISION:								
1 PLACE ±		DRWN: ARAJU 2020/02/29								
0 PLACES ±		APPR: RDESAI01 2020/05/14								
DRAFT WHERE APPLICABLE MUST REMAIN WITHIN DIMENSIONS		THIRD ANGLE PROJECTION	DRAWING	SERIES	MATERIAL NUMBER	CUSTOMER	DOCUMENT NUMBER	DOC TYPE	DOC PART	REVISION
			A4-SIZE	214752	SEE TABLE	GENERAL MARKET	2147521031	PSD	000	A
				SHEET NUMBER	1 OF 1					

RELEASE STATUS	P1	RELEASE DATE	2020/05/14	03:37:07
----------------	----	--------------	------------	----------