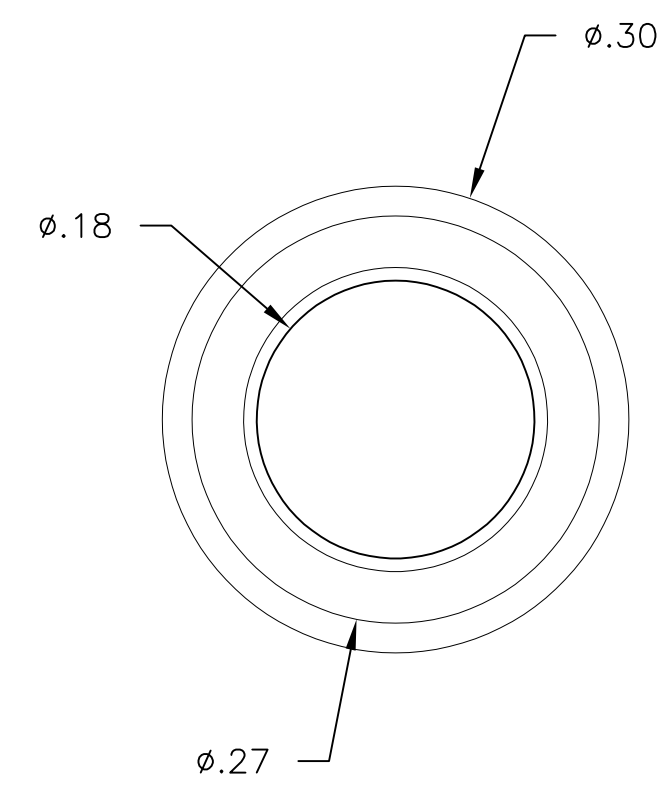
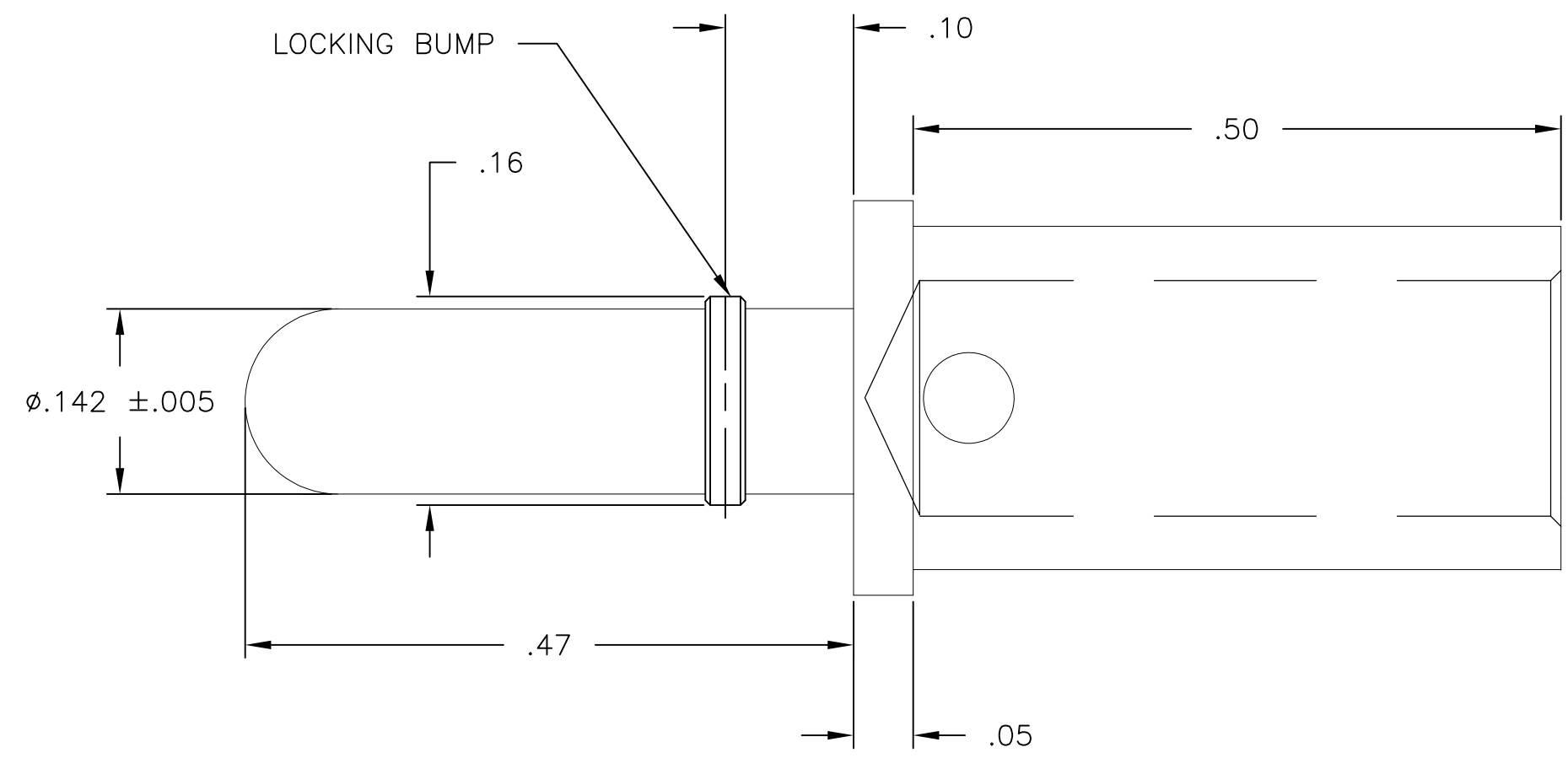


THIS DRAWING IS UNPUBLISHED. RELEASED FOR PUBLICATION  
 © COPYRIGHT - By - ALL RIGHTS RESERVED.

LOC	DIST	REVISIONS					
GP	00	P	LTR	DESCRIPTION	DATE	DWN	APVD
			C	REV PER ECO-11-007264	14APR2011	RG	DO



- 4. FINISH: SILVER PLATE .00200 MIN THK. OVER NICKEL .000040 MIN THK.
- 3. MATERIAL: COPPER ALLOY
- 2. ITEMS PROVIDED TO THIS SPECIFICATION SHALL BE IDENTIFIED ON CONTAINER WITH THE FOLLOWING INFORMATION PART NUMBER AND DATE CODE OF MANUFACTURE.
- 1. PART NUMBER CHANGES AND/OR DESIGN CHANGES AFFECTING ITEM INTERCHANGEABILITY REQUIRE PRIOR TYCO APPROVAL AND AUTHORIZATION BY REVISION TO THIS DRAWING.

1766160-1  
PART NUMBER

THIS DRAWING IS A CONTROLLED DOCUMENT.		DWN	10JAN2011	<b>TE Connectivity</b> CONTACT, ICCON LOCKING PIN SIZE No.8 WITH No.8 CRIMP BARREL			
		CHK	10JAN2011				
		APVD	10JAN2011				
		NAME	D.ORRIS				
DIMENSIONS:	TOLERANCES UNLESS OTHERWISE SPECIFIED:	PRODUCT SPEC		NAME			
INCHES		APPLICATION SPEC		SIZE			
	0 PLC ± -	WEIGHT		CAGE CODE		DRAWING NO	
	1 PLC ± -	-		A300779		C-1766160	
	2 PLC ± -	-		SCALE		SHEET	
	3 PLC ± .020	-		8:1		1 OF 1	
	4 PLC ± -	-		REV		C	
	ANGLES ± .5	-		-		-	
MATERIAL	FINISH	CUSTOMER DRAWING		-			
-	-	-		-			