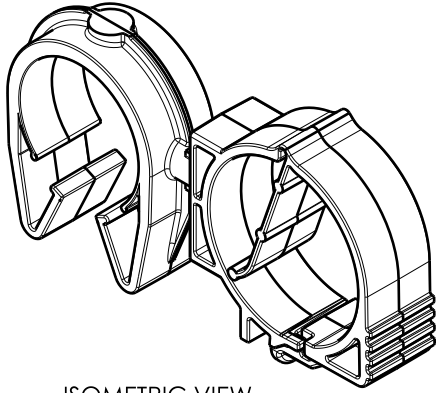
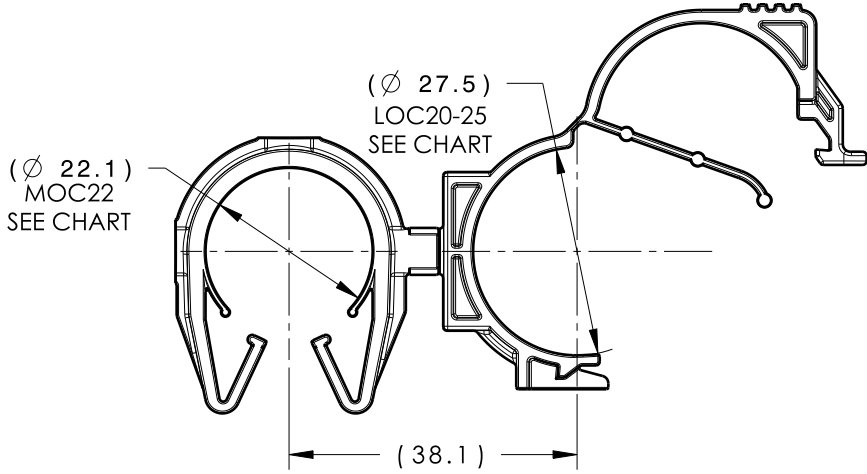
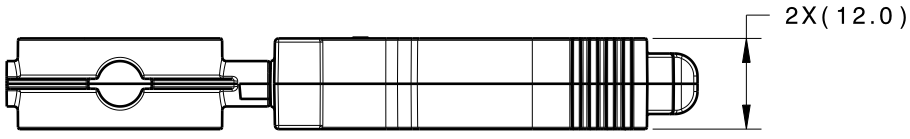
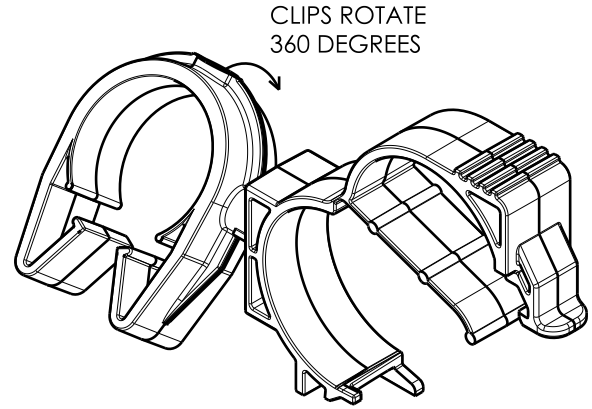


Revision Level			Revision Record	Changed	Date	Approved	Date
Drawing	State	Part					
02.1	Design Release	-	SEE ECN# 014926	EJH	2/19/19	TAT	2/20/19



ISOMETRIC VIEW
CLOSED



ISOMETRIC VIEW
OPEN

TYPE	MOC22F
HARNESS	20.0MM-24.0MM
HOSE	20.0MM-24.0MM
HARD PIPE/TUBE	22.0MM-25.0MM

*RECOMMENDED SIZES MAY DIFFER DEPENDING ON THE APPLICATION , PRODUCT REQUIREMENTS AND MATERIALS USED

**PATENT PENDING 29/582,271



GLOBAL PART DESCRIPTION	MOC22**			LOC20-25		
	DRAWING	MATERIAL	COLOR	DRAWING	MATERIAL	COLOR
MOC22LOC20-25-PA66HIRHSUV-BK	16-0323-000-CSU	PA66HIRHSUV	BLACK	12-0631-051-CSU	PA66HIRHSUV	BLACK

Material SEE CHART COLOR: SEE CHART	Units	millimeters	The copyright of this drawing is reserved by HellermannTyton. It is issued on condition that it is not reproduced, copied or disclosed to a third party, either wholly or in part, without the consent of HellermannTyton.	Drawn	TAT	5/15/17	Article/Type-No	MOC22LOC20-25		Scale	1:1
	Tolerance defined on each dimension	Approved		EJH	5/15/17	Title		22MM MOC COUPLED TO 20-25MM LOC		Project Number	16-0327
		HellermannTyton			Drawing-No		PRODUCTION : Phase		Format	AH	
							16-0327-224-CSU		Sheet	1/1	
				North America Email: corp@htamericas.com Web: www.hellermann.tyton.com							