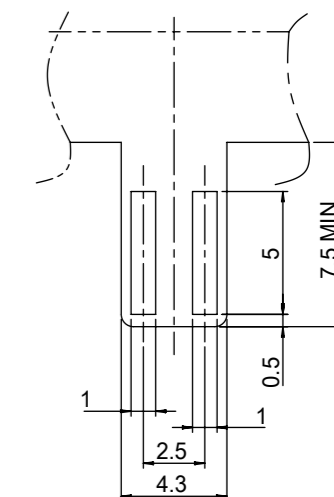
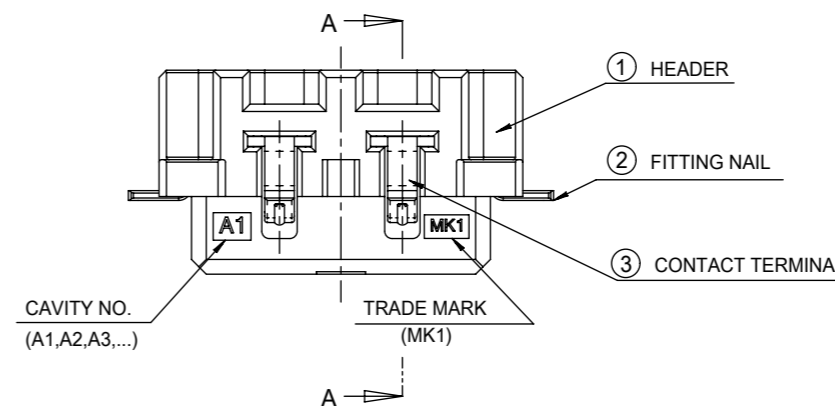
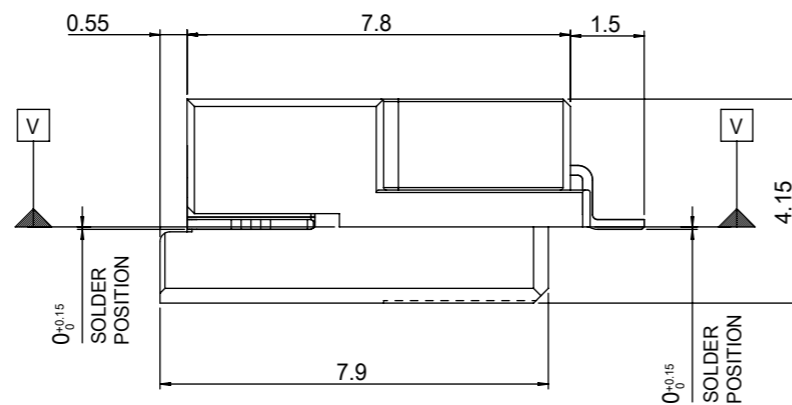
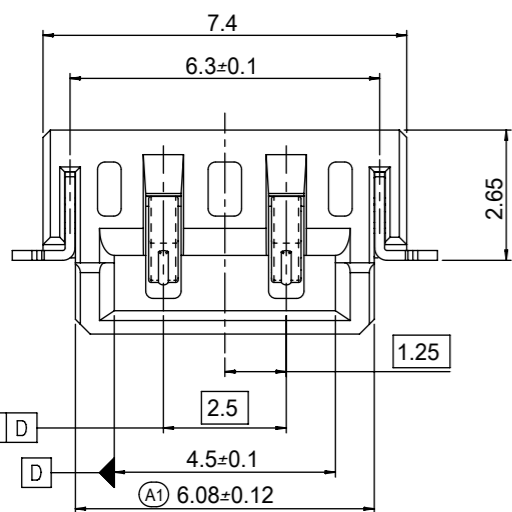


LED BAR PCB LAY OUT  
GENERAL TOLERANCE : ±0.05  
(S=1:2)



POWER BOARD PCB LAY OUT  
GENERAL TOLERANCE : ±0.05  
(S=1:2)

NOTE

1. MATERIALS

- ① - HEADER : LIQUID CRYSTAL POLYMER(LCP), GLASS FILLED, UL94V-0, HALOGEN FREE
- ② - FITTING NAIL : PHOSPHOR BRONZE, 0.2mm THICKNESS
- ③ - CONTACT TERMINAL : PHOSPHOR BRONZE, 0.2mm THICKNESS

2. FINISHES

- ② - FITTING NAIL :  
PURE-TIN PLATING ON OVERALL THICKNESS 3.0µm~5.0µm  
UNDER PLATING Ni OVERALL THICKNESS 1.25µm~3.75µm
- ③ - CONTACT TERMINAL :  
PURE-TIN PLATING ON OVERALL THICKNESS 3.0µm~5.0µm  
UNDER PLATING Ni OVERALL THICKNESS 1.25µm~3.75µm

3. PRODUCT SPECIFICATION : PS-104146-001

4. PACKAGING SPECIFICATION : PK-104146-001

5. COPLANALITY OF SOLDER TAILS (PEAK TEMP. : 260°C),  
BEFORE & AFTER REFLOW : 0.10MAX

[TABLE]

NO.	MATERIAL NO.	COLOR
1	104146-0210	NATURAL

SYMBOLS		THIS DRAWING CONTAINS INFORMATION THAT IS PROPRIETARY TO MOLEX ELECTRONIC TECHNOLOGIES, LLC AND SHOULD NOT BE USED WITHOUT WRITTEN PERMISSION	
▽ = 0	mm	SCALE	CURRENT REV DESC:
▽ = 0	10:1		
▽ = 0	GENERAL TOLERANCES (UNLESS SPECIFIED)		
▽ = 0	ANGULAR TOL ± 1.0°		
▽ = 0	4 PLACES ±	EC NO: 172806	2018/02/23
▽ = 0	3 PLACES ±	DRWN: JSSHIN	2018/02/27
▽ = 0	2 PLACES ± 0.2	CHK'D: SHCHU	2018/02/28
▽ = 0	1 PLACE ± 0.2	APPR: YSKIM02	
▽ = 0	0 PLACES ±	INITIAL REVISION:	
▽ = 0	DRAFT WHERE APPLICABLE MUST REMAIN WITHIN DIMENSIONS	DRWN: JSSHIN	2012/04/16
		APPR: YSKIM02	2012/04/25
		THIRD ANGLE PROJECTION	DRAWING
			SERIES
			MATERIAL NUMBER
			CUSTOMER
			SHEET NUMBER

**molex**

2.5MM PITCH CONN. -2P  
(CARD EDGE TYPE) HEADER ASSY

PRODUCT CUSTOMER DRAWING

DOCUMENT NUMBER	DOC TYPE	DOC PART	REVISION
SD-104146-001	PSD	001	A2

DOCUMENT STATUS	RELEASE DATE
-----------------	--------------

