

TABLE 1: FINISHES

ORDERING PART NUMBER	PORT 1 & 2 TERMINAL	FITTING NAIL
78758-0001	CONTACT: 0.76μM MIN. GOLD OVER 1.27μM MIN. NICKEL UNDERPLATE SOLDERTAIL: 2.54μM MIN. TIN OVER 1.27μM MIN. NICKEL UNDERPLATE OTHER AREA: 1.27μM MIN. NICKEL UNDERPLATE	2.54μM MIN. TIN OVER 1.27μM MIN. NICKEL
78758-0002	CONTACT: 0.38μM MIN. GOLD OVER 1.27μM MIN. NICKEL UNDERPLATE SOLDERTAIL: 2.54μM MIN. TIN OVER 1.27μM MIN. NICKEL UNDERPLATE OTHER AREA: 1.27μM MIN. NICKEL UNDERPLATE	2.54μM MIN. TIN OVER 1.27μM MIN. NICKEL

NOTES :

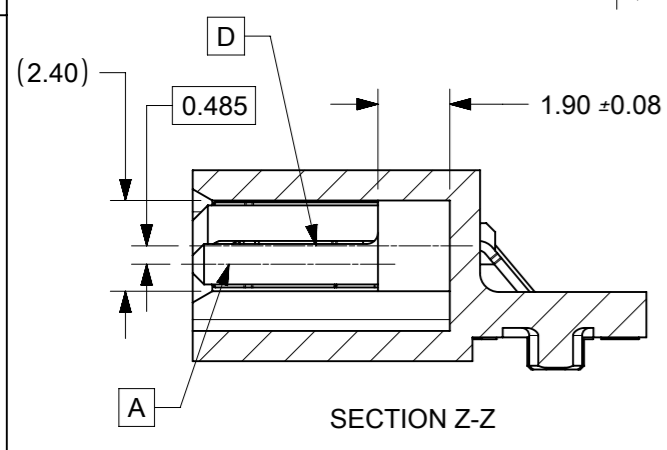
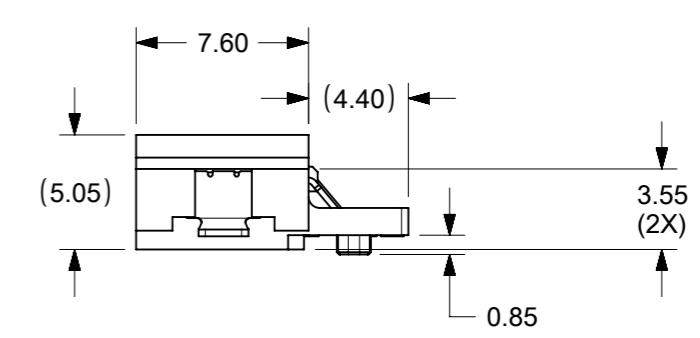
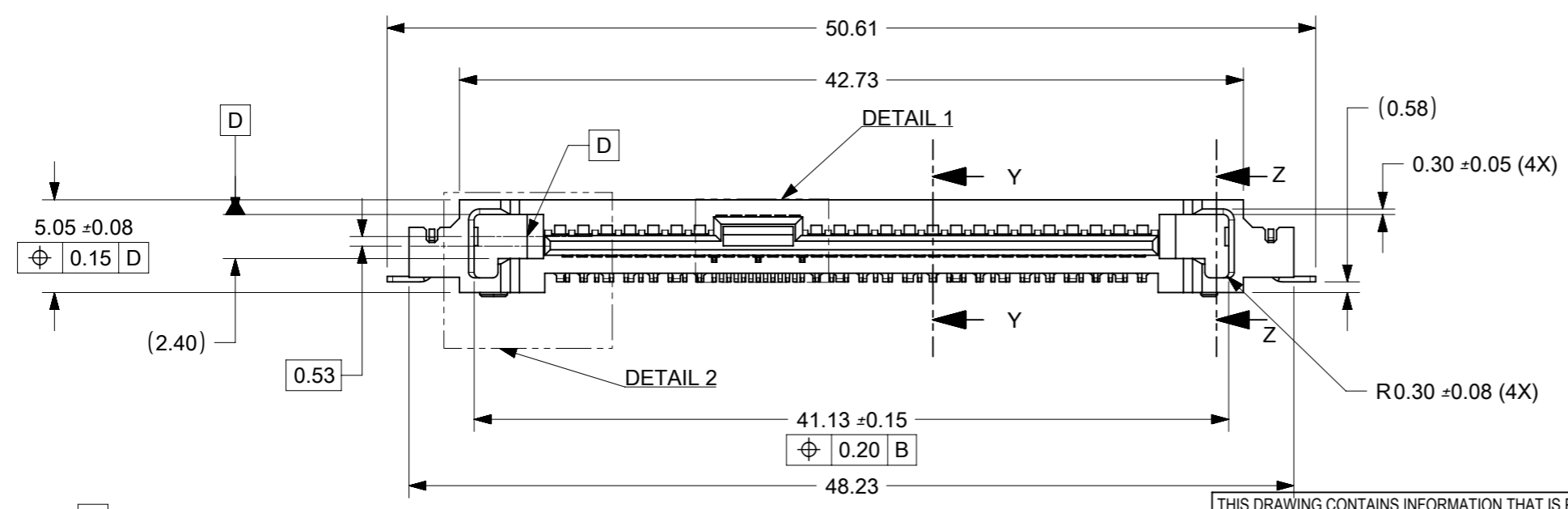
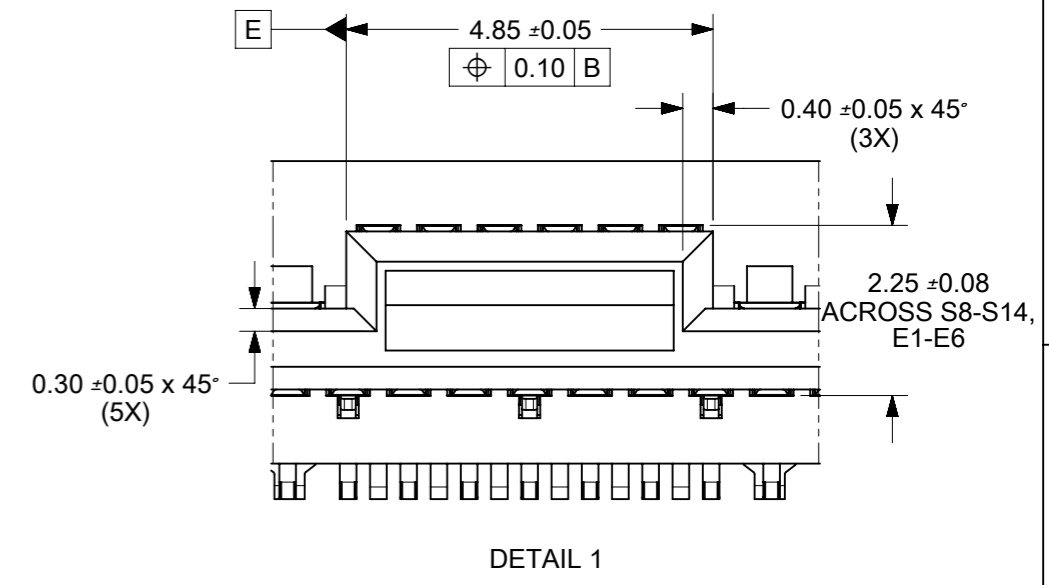
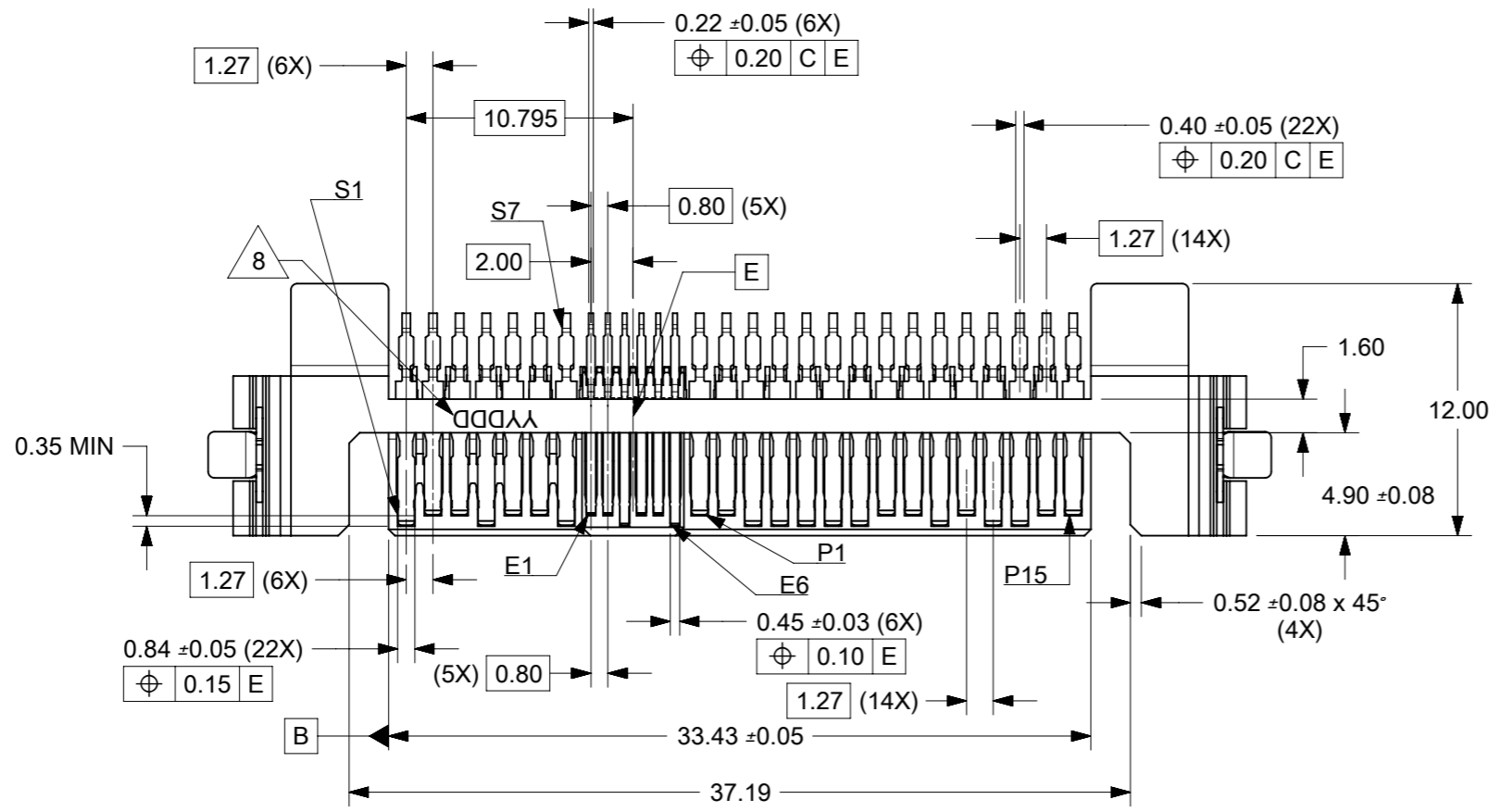
1. MATERIAL: SEE TABLE 2
2. FINISHES: SEE TABLE 1
3. PRODUCT SPECIFICATION: PS-78758-001
4. PACKAGING SPECIFICATION: PK-78758-001
5. MATES WITH: MOLEX SAS OR SAS/PCIE RECEPTACLES
6. PRODUCT IS COMPLIANT TO ROHS DIRECTIVE WITH THE FOLLOWING BANNED SUBSTANCES - LEAD, MERCURY, CADMIUM, HEXAVALENT CHROMIUM, POLYBROMINATED DYPHENILS & POLYBROMINATED DIPHENYLS ETHERS.
7. NON-FUNCTIONAL CORING MAY VARY
8. MOLEX LOGO, CAVITY ID AND DATE CODE TO BE LOCATED APPROXIMATELY AS SHOWN.
9. PRODUCT IS COMPLIANT TO SFF-8639 SPECIFICATIONS.

TABLE 2 : PARTS MATERIAL

NO	PART NAME	QTY	MATERIAL
1	HOUSING	1	LCP, GLASS FILLED, UL94-V, COLOR: BLACK
2	1.27MM PITCH TERMINAL	22	COPPER ALLOY
3	0.8MM PITCH TERMINAL	46	COPPER ALLOY
4	FITTING NAIL	2	COPPER ALLOY
5	GROUND BLADE	1	COPPER ALLOY
6	PICK AND PLACE CAP	1	LCP, GLASS FILLED, UL94-V, COLOR: BLACK

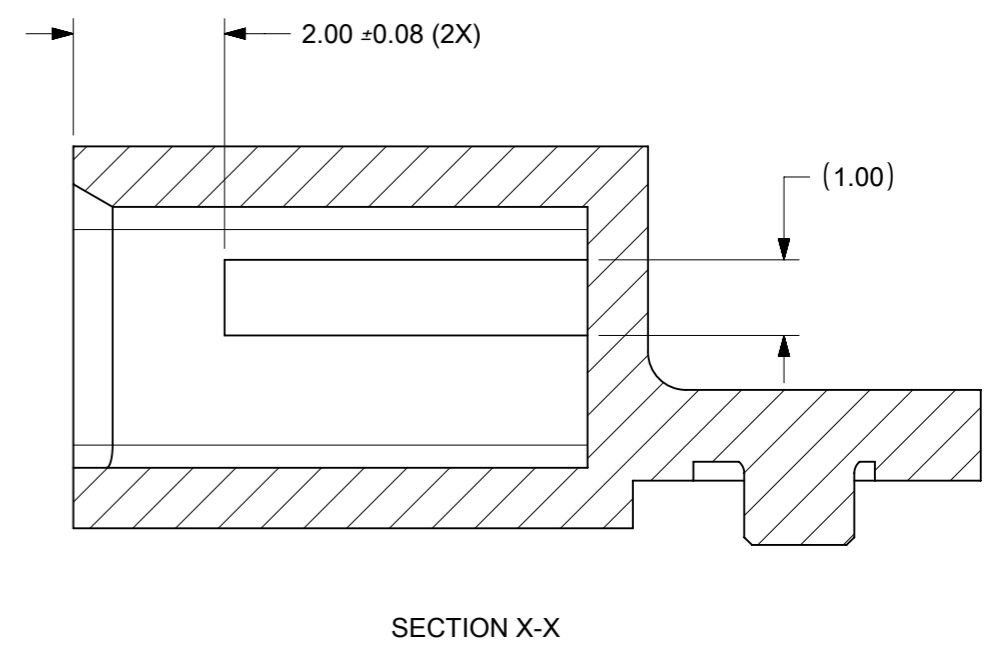
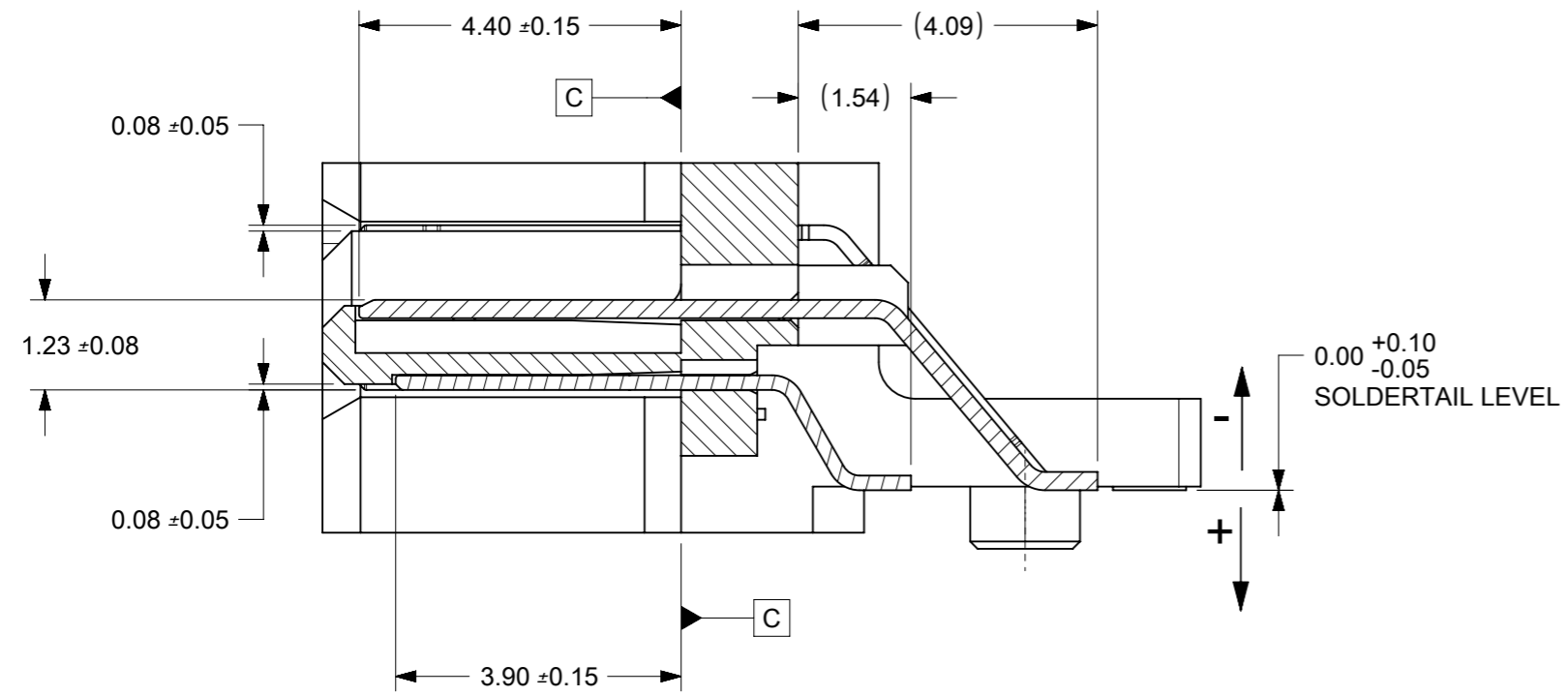
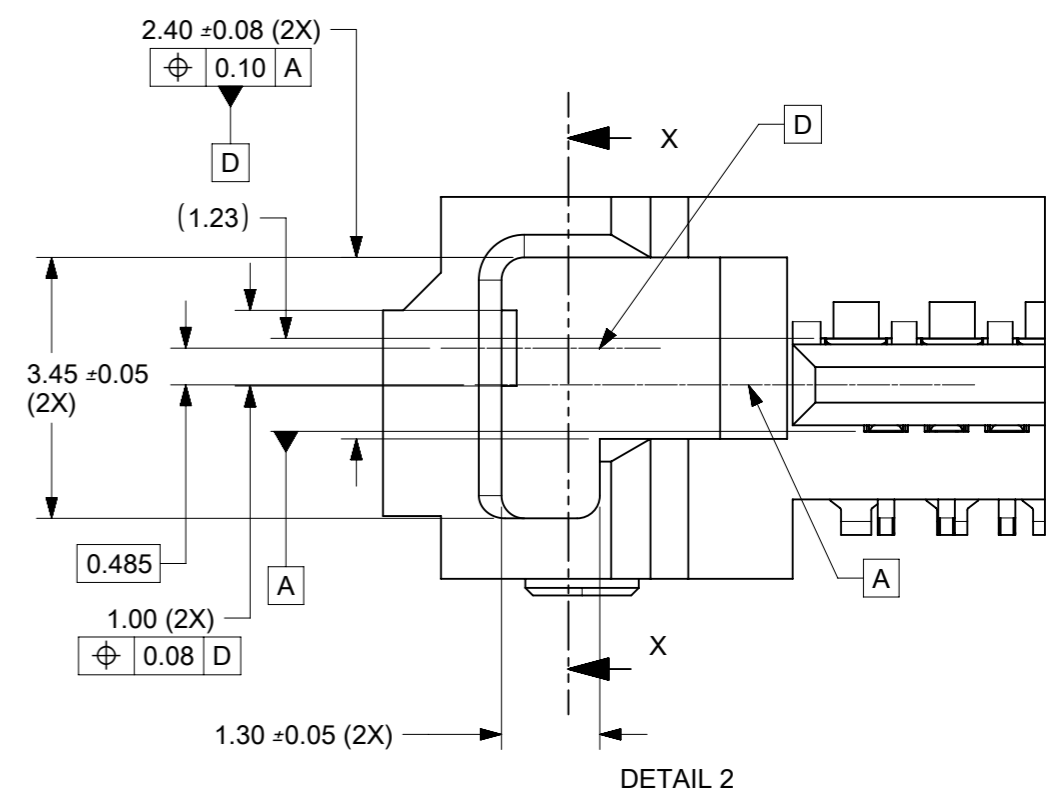
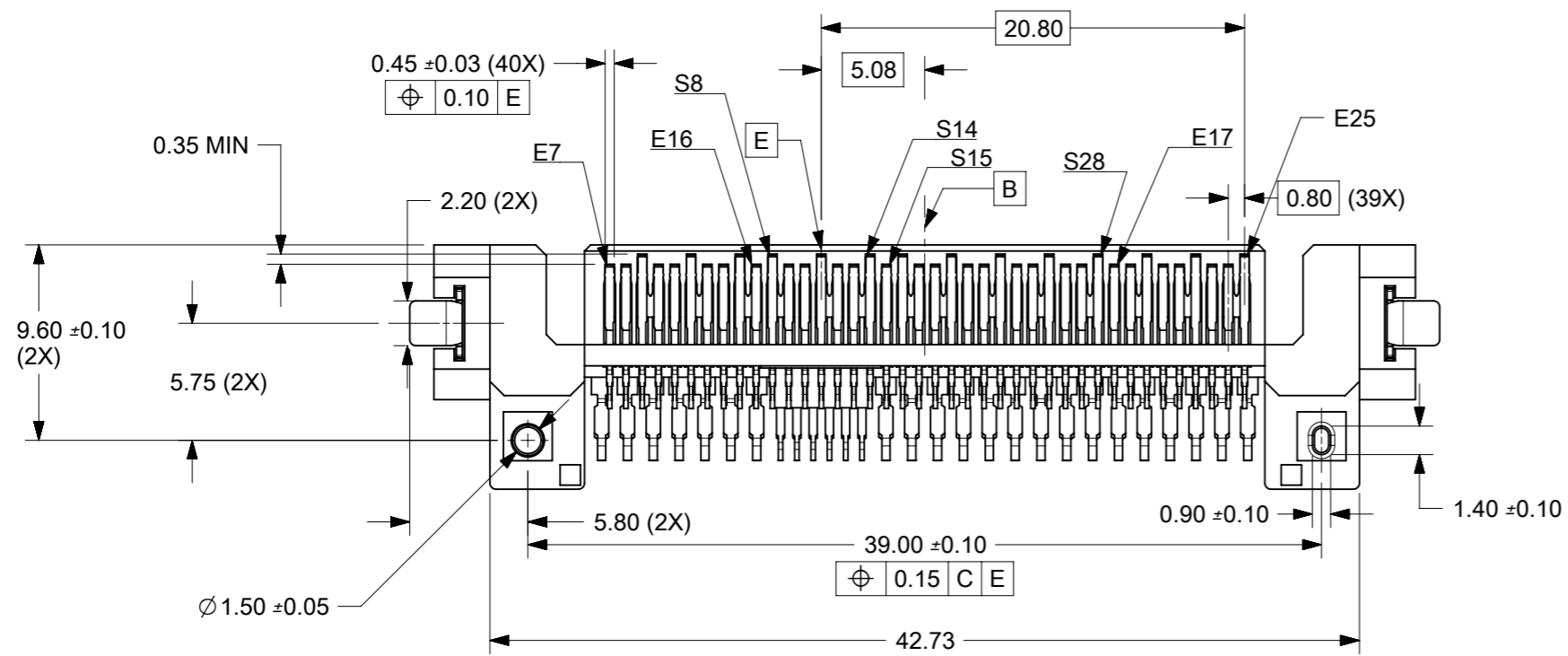
THIS DRAWING CONTAINS INFORMATION THAT IS PROPRIETARY TO MOLEX ELECTRONIC TECHNOLOGIES, LLC AND SHOULD NOT BE USED WITHOUT WRITTEN PERMISSION

CORRECT TYPO ERROR	2017/11/23	2017/12/13	GENERAL TOLERANCES (UNLESS SPECIFIED)		DIMENSION UNITS	SCALE		
			ANGULAR TOL ± 3.0 °		mm	NTS		
			4 PLACES ±	CGOH	DATE	2012/09/07		
			3 PLACES ±	CHK'D BY	DATE	GMENARLY 2012/10/17		
			2 PLACES ± 0.2	APPR BY	DATE	BOKOK 2012/10/17		
			1 PLACE ±	DRAWING SIZE		THIRD ANGLE PROJECTION		
0 PLACES ±	A3							
DRAFT WHERE APPLICABLE MUST REMAIN WITHIN DIMENSIONS			PRODUCT CUSTOMER DRAWING		SERIES	MATERIAL NUMBER	CUSTOMER	
A1			SD-78758-001		78758	SEE TABLE	GENERAL MARKET	
RELEASE STATUS			RELEASE DATE		DOCUMENT NUMBER	DOC TYPE	DOC PART	SHEET NUMBER
					SD-78758-001	PSD	000	1 OF 4



THIS DRAWING CONTAINS INFORMATION THAT IS PROPRIETARY TO MOLEX ELECTRONIC TECHNOLOGIES, LLC AND SHOULD NOT BE USED WITHOUT WRITTEN PERMISSION

EC NO: 168566 DRWN: SKANG CHK'D: SHONG APPR: SHONG	2017/11/23 CORRECT TYPO ERROR	GENERAL TOLERANCES (UNLESS SPECIFIED) ANGULAR TOL ± 3.0 ° 4 PLACES ± 3 PLACES ± 2 PLACES ± 0.2 1 PLACE ± 0 PLACES ±	DIMENSION UNITS: mm SCALE: NTS	DRWN BY: CGOH DATE: 2012/09/07	<p>SAS/PCIE RIGHT ANGLE PLUG SMT FOR SSD</p> <p>PRODUCT CUSTOMER DRAWING</p>		
	DRAFT WHERE APPLICABLE MUST REMAIN WITHIN DIMENSIONS	DRAWING SIZE: A3 THIRD ANGLE PROJECTION	CHK'D BY: GMENARLY DATE: 2012/10/17	APPR BY: BOKOK DATE: 2012/10/17			
	SERIES: 78758 MATERIAL NUMBER: SEE TABLE CUSTOMER: GENERAL MARKET	DOCUMENT NUMBER: SD-78758-001 DOC TYPE: PSD DOC PART: 000 SHEET NUMBER: 2 OF 4	DATE: 2012/09/07	DATE: 2012/10/17			
	RELEASE STATUS: [ ] RELEASE DATE: [ ] 07:29:58	EC NO: 168566 DRWN: SKANG CHK'D: SHONG APPR: SHONG	DIMENSION UNITS: mm SCALE: NTS	DRWN BY: CGOH DATE: 2012/09/07		CHK'D BY: GMENARLY DATE: 2012/10/17	SERIES: 78758 MATERIAL NUMBER: SEE TABLE CUSTOMER: GENERAL MARKET
	A1 REV	DRAFT WHERE APPLICABLE MUST REMAIN WITHIN DIMENSIONS	DRAWING SIZE: A3 THIRD ANGLE PROJECTION	APPR BY: BOKOK DATE: 2012/10/17		DATE: 2012/09/07 DATE: 2012/10/17	DOCUMENT NUMBER: SD-78758-001 DOC TYPE: PSD DOC PART: 000 SHEET NUMBER: 2 OF 4

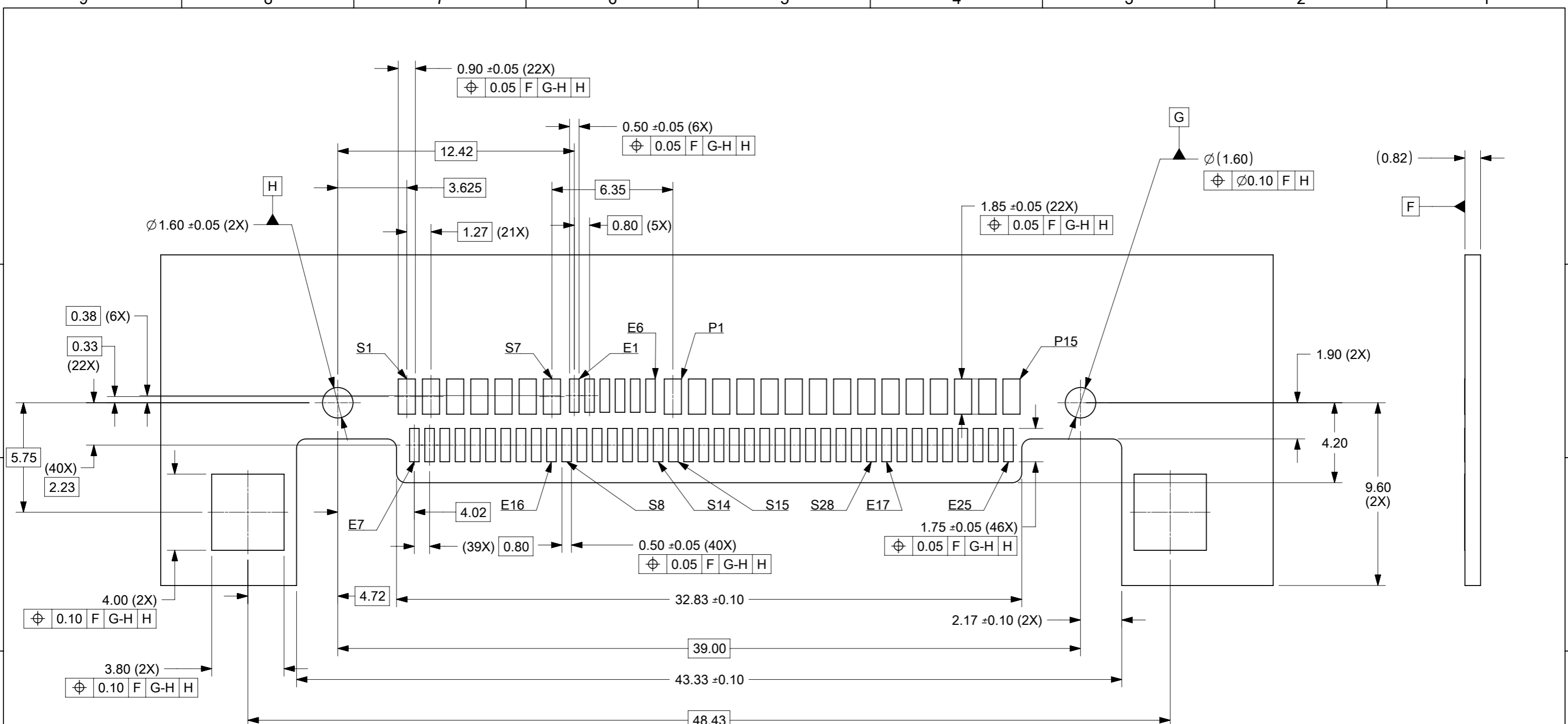


SECTION Y-Y

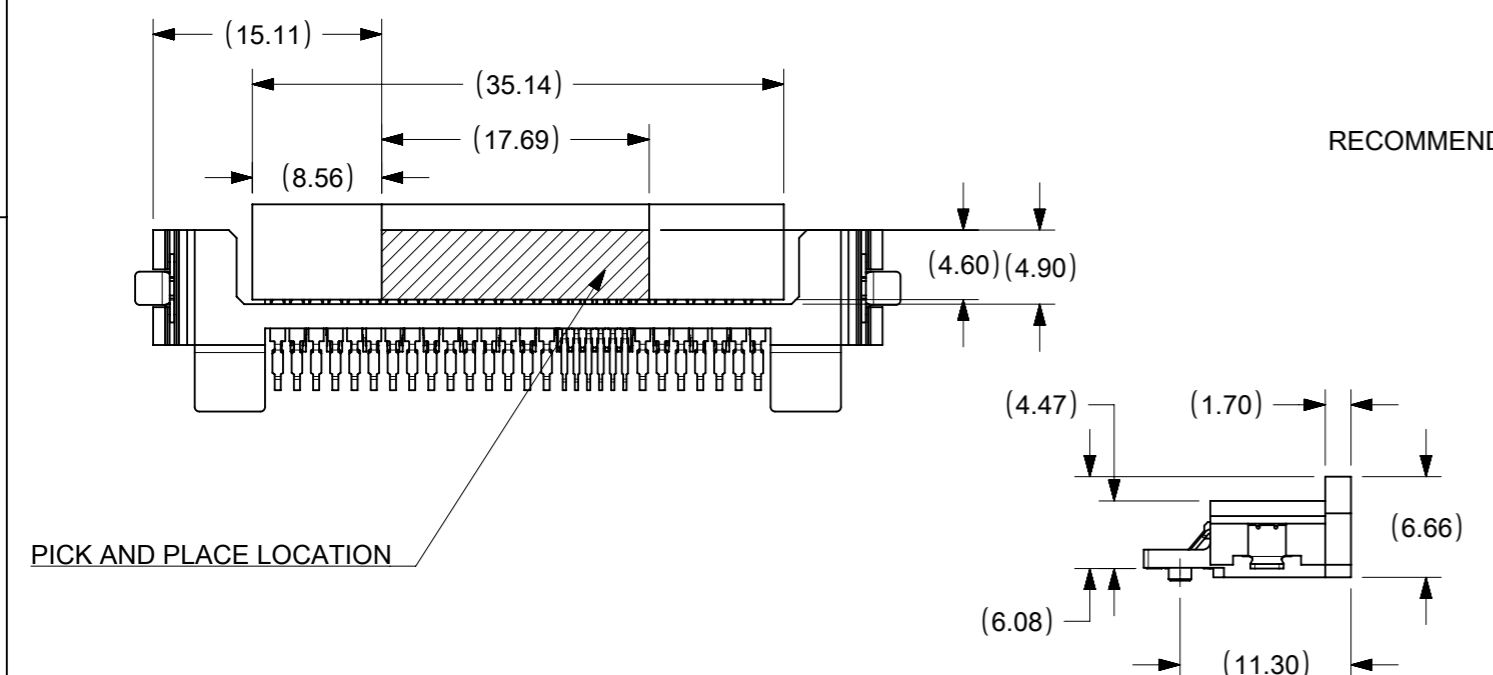
SECTION X-X

THIS DRAWING CONTAINS INFORMATION THAT IS PROPRIETARY TO MOLEX ELECTRONIC TECHNOLOGIES, LLC AND SHOULD NOT BE USED WITHOUT WRITTEN PERMISSION

CORRECT TYPO ERROR	2017/11/23	GENERAL TOLERANCES (UNLESS SPECIFIED)	DIMENSION UNITS	SCALE				
	2017/12/13		mm	NTS				
	EC NO: 168566		ANGULAR TOL ± 3.0 °	DRWN BY		DATE	SAS/PCIE RIGHT ANGLE PLUG SMT FOR SSD	
	DRWN: SKANG		4 PLACES ±	CGOH		2012/09/07		
	CHK'D:		3 PLACES ±	CHK'D BY		DATE		
	REV		APPR: SHONG	2 PLACES ± 0.2		GMENARLY	2012/10/17	PRODUCT CUSTOMER DRAWING
A1		1 PLACE ±	BOKOK	2012/10/17				
		0 PLACES ±	DRAFTING SIZE	THIRD ANGLE PROJECTION	SERIES	MATERIAL NUMBER	CUSTOMER	
		DRAFT WHERE APPLICABLE MUST REMAIN WITHIN DIMENSIONS	A3		78758	SEE TABLE	GENERAL MARKET	
RELEASE STATUS	RELEASE DATE	07:29:58			DOCUMENT NUMBER	DOC TYPE	DOC PART	SHEET NUMBER
					SD-78758-001	PSD	000	3 OF 4



RECOMMENDED PCB LAYOUT



THIS DRAWING CONTAINS INFORMATION THAT IS PROPRIETARY TO MOLEX ELECTRONIC TECHNOLOGIES, LLC AND SHOULD NOT BE USED WITHOUT WRITTEN PERMISSION

CORRECT TYPO ERROR	2017/11/23	GENERAL TOLERANCES (UNLESS SPECIFIED)	DIMENSION UNITS	SCALE	<b>molex</b> <sup>®</sup>			
	2017/12/13		mm	NTS				
	EC NO: 168566		4 PLACES ±	DRWN BY	DATE	SAS/PCIE RIGHT ANGLE PLUG SMT FOR SSD		
	DRWN: SKANG		ANGULAR TOL ± 3.0 °	CGOH	2012/09/07			
	CHK'D:		3 PLACES ±	CHK'D BY	DATE	PRODUCT CUSTOMER DRAWING		
APPR: SHONG	2 PLACES ± 0.2	GMENARLY	2012/10/17					
REV	1 PLACE ±	APPR BY	DATE	SERIES MATERIAL NUMBER CUSTOMER				
A1	0 PLACES ±	BOKOK	2012/10/17				78758	SEE TABLE
DRAFT WHERE APPLICABLE MUST REMAIN WITHIN DIMENSIONS			DRAWING SIZE	THIRD ANGLE PROJECTION	DOCUMENT NUMBER DOC TYPE DOC PART SHEET NUMBER			
			A3		SD-78758-001 PSD 000 4 OF 4			