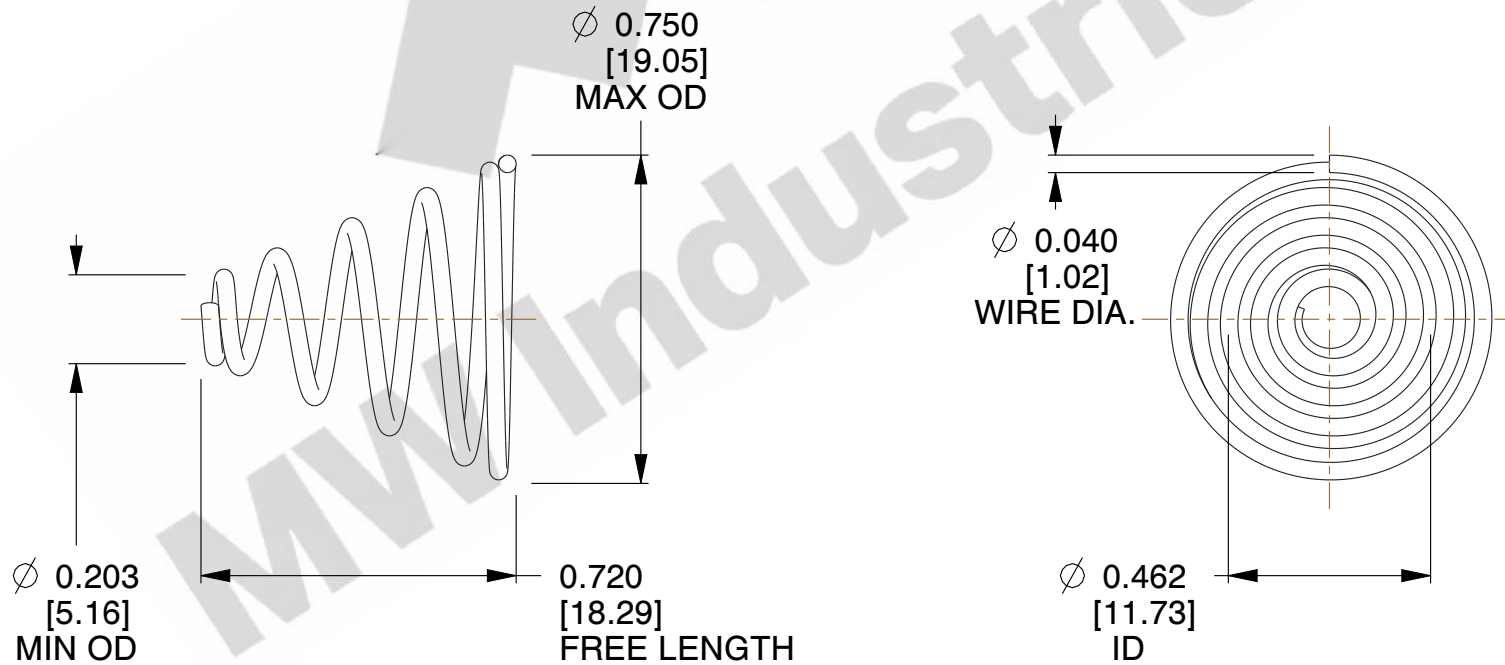
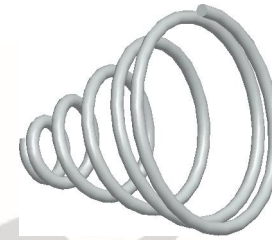


NOTES:

1. Material : Stainless Steel
2. Total Coils : 5.500
3. Solid Height : 0.450 (in)
4. Finish : ZINC
5. Ends : Closed
6. All Drawing Dimensions are in Inches [mm]



COMPONENT

TAPERED SPRINGS

TA-2204CS

TAPERED SPRINGS