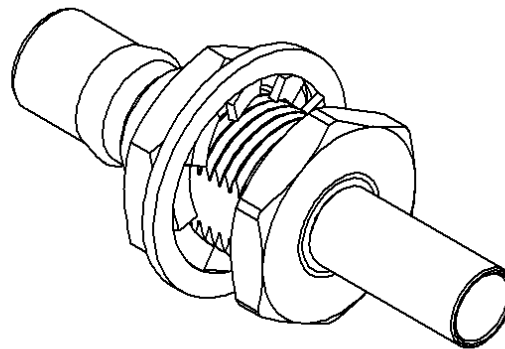
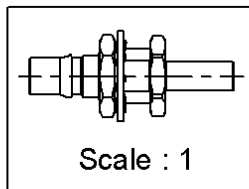
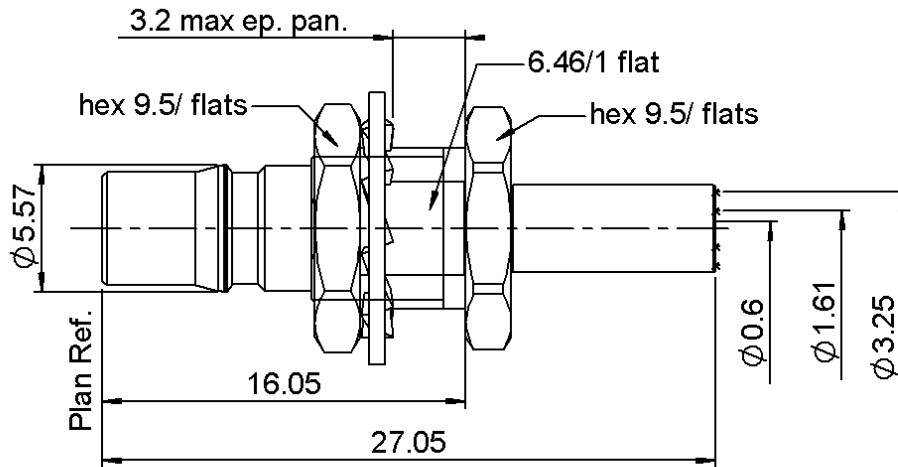


STRAIGHT BULKHEAD JACK CRIMP TYPE

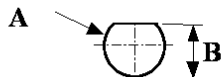
R123.312.000

CABLE 2.6/50S

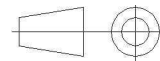
Series : QMA



PANEL CUT OUT



| mm | | |
|----|------|------|
| | Maxi | mini |
| A | 7.3 | 7.2 |
| B | 6.65 | 6.5 |



All dimensions are in mm.

| COMPONENTS | MATERIALS | PLATING (µm) |
|----------------|------------------|--------------|
| BODY | BRASS | BBR 2 |
| CENTER CONTACT | BERYLLIUM COPPER | NPGR |
| OUTER CONTACT | - | - |
| INSULATOR | PTFE | - |
| GASKET | - | - |
| OTHERS PARTS | BRASS | BBR 2 |
| - | - | - |
| - | - | - |

Issue : 0923 C

In the effort to improve our products, we reserve the right to make changes judged to be necessary.



STRAIGHT BULKHEAD JACK CRIMP TYPE

R123.312.000

CABLE 2.6/50S

Series : QMA

PACKAGING

| Standard | Unit | Other |
|------------|-------------------|-------------------|
| 100 | 'W' option | Contact us |

SPECIFICATION

ELECTRICAL CHARACTERISTICS

| | | |
|---------------------------------|----------------------|--------------------------|
| Impedance | 50 | Ω |
| Frequency | 0-6 | GHz |
| VSWR | 1.15 + 0,0200 | x F(GHz) Maxi |
| Insertion loss | 0.05 | \sqrt{F} (GHz) dB Maxi |
| RF leakage | - (***80) | - F(GHz)) dB Maxi |
| Voltage rating | 250 | Veff Maxi |
| Dielectric withstanding voltage | 750 | Veff mini |
| Insulation resistance | 5000 | M Ω mini |

CABLE ASSEMBLY

| Stripping | a | b | c | d | e | f |
|-----------|------|------|------|------|------|------|
| mm | 2,80 | 6,50 | 11,0 | 0,00 | 8,20 | 0,00 |

Assembly instruction : **Crimp 02**

Recommended cable(s)
 RG 188
 RG 316
 KX 22A
 ECO 316

Characteristics indicated on this data sheet are those that can be achieved with the highest performance cable. Intrinsic limitations of the cable may diminish the performance of the assembly

Cable retention

- pull off **90** N mini
 - torque **NA** N.cm

MECHANICAL CHARACTERISTICS

| | | |
|----------------------------|-----------|-----------|
| Center contact retention | | |
| Axial force – Mating end | 18 | N mini |
| Axial force – Opposite end | 18 | N mini |
| Torque | NA | N.cm mini |

TOOLING

| Part Number | Description | Hexagon |
|--------------|---------------------------------|--------------|
| . | . | . |
| R282.211.000 | CRIMPING TOOL | 3.25 |
| R282.235.003 | CRIMPING DIES M22520/5-03 | 3.25 |
| R282.281.000 | CRIMPING TOOL | 2x4 (pos. 5) |
| R282.293.000 | CRIMPING TOOL M22520/5-01 | |
| R282.967.016 | POSITIONER FOR CRIMPING TOOL | |

| | | |
|--------------------|---------------|-------------|
| Recommended torque | | |
| Mating | | N.cm |
| Panel nut | 160 | N.cm |
| Clamp nut | | N.cm |
| A/F clamp nut | 0,0000 | mm |
| Mating life | 100 | Cycles mini |
| Weight | 5,0500 | g |

ENVIRONMENTAL

| | | |
|-----------------------|-----------------|--------------|
| Operating temperature | -40/+105 | $^{\circ}$ C |
| Hermetic seal | NA | Atm.cm3/s |
| Panel leakage | NA | |

OTHER CHARACTERISTICS

**Intermod.: -120dBc at 1.8GHz (2x20W)
 ***RF Leakage interf only: $3 < F < 6$ GHz: >70dB

Issue : 0923 C

In the effort to improve our products, we reserve the right to make changes judged to be necessary.

