



**ANATECH ELECTRONICS INC**  
RF & Microwave Filters & Products

## 600 MHz Band Pass Filter

Part Number: AE600B11705



### Electrical Specifications

**Center Frequency:** 600 MHz  
**3 dB Bandwidth:** 300 MHz Min  
**70 dB Bandwidth:** 675 MHz Max.  
**Return Loss:** 14 dB Min @ 75% of the 3dB BW  
**Power Handling:** 5 W

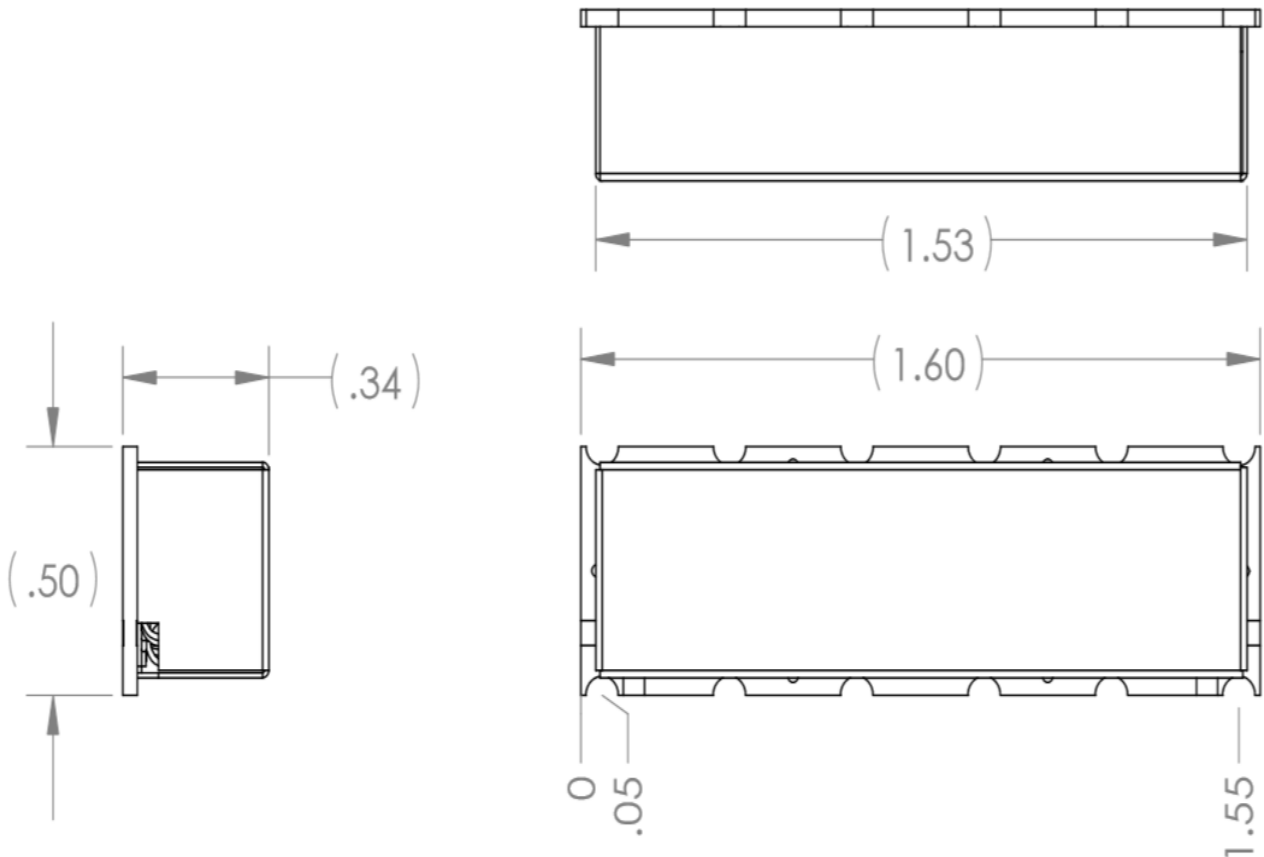
### Mechanical

**Connector Type:** SMT  
**Dimensions:** 1.6" X 0.5" x 0.34"

### Environmental

**Operating Temperature:** -25°C to +70°C  
**Storage Temperature:** -40°C to +90°C  
**Shock:** 10 G. 11ms  
**Vibration:** 10 G. 5 to 200Hz

### Outline Drawing:



Tolerance: +/-0.01 inches [ +/-0.3mm] Angles: +/-1 Deg.

\*Tolerance as shown unless otherwise specified in the datasheet electrical specification tables above.

\*When max dimensions are called out the above tolerances do not apply as long as it is under the max call out.

70 Outwater Lane Phone: (973) 772-4242  
Garfield, NJ 07026 Fax : (973) 321-3941

Email: [sales@anatechelectronics.com](mailto:sales@anatechelectronics.com)  
Web: [www.anatechelectronics.com](http://www.anatechelectronics.com)