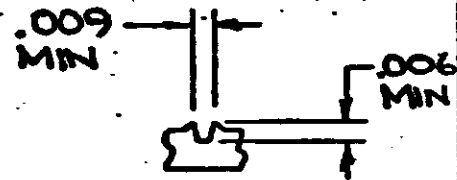
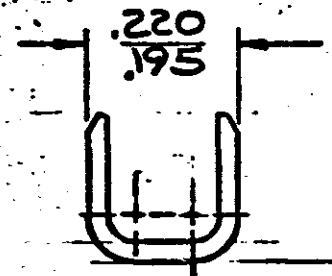
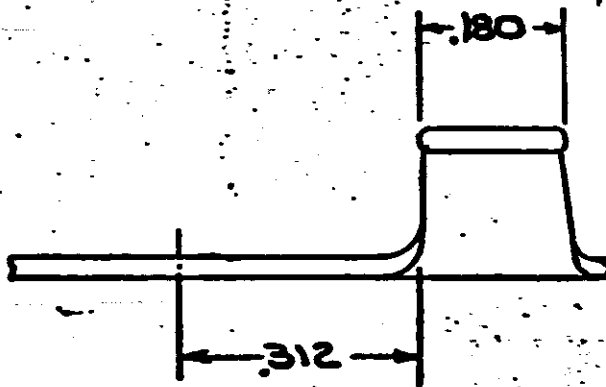
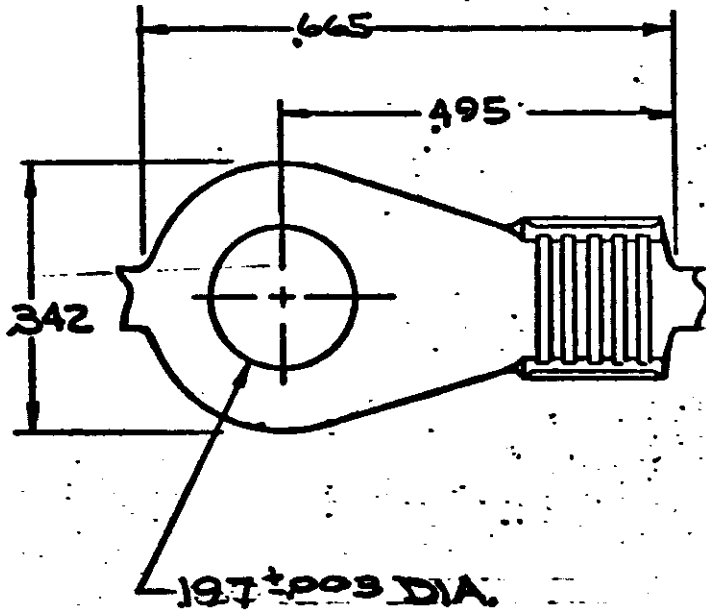


NUMBER
640212

S



CONTINUOUS STRIP, ON REELS

PART NO.
640212-1

SERRATION DETAIL
SCALE 8:1
APPLIES ONLY AT STRAIGHT
PORTION ON SIDES OF
BARREL

UNPUBLISHED COPY NOT TO BE
REPRODUCED NOR PUBLISHED
WITHOUT WRITTEN PERMISSION
OF AMP INCORPORATED.

DIMENSIONS IN INCHES. DO NOT SCALE PRINT.

©1975 BY AMP INCORPORATED. ALL RIGHTS
RESERVED. AMP PRODUCTS COVERED BY
PATENTS AND/OR PATENTS PENDING

CUSTOMER COPY
REFERENCE ONLY

MATERIAL AND FINISH

BRASS
TIN



AMP INCORPORATED
HARRISBURG, PENNA.

| | | |
|---|--------------------------|------------------|
| C | REVISE PER ECR-13-013738 | GRZ/JL 15FEB2014 |
| B | REWORK PER ECR-13-013738 | A-47 6/11/79 |
| A | OBSOLETE 640212 | A 3874 5/9/78 |

WIRE — RANGE — INSULATION
13-11 1 — 4

TYPE

| LTR | REVISION RECORD | ECN | DR | CHK | DATE |
|-----|-----------------|-----|----|-----|------|
|-----|-----------------|-----|----|-----|------|

TOLERANCE EXCEPT
AS NOTED
= .015 = 1° 0'

SCALE

LOC

NO

A 640212

REV

C

DR G YETTER 4-25-75

DE J.P. [Signature]

CHK [Signature] 5-8-75

APP [Signature]

NAME

RING, AMPLIVAR

50