

Reduction

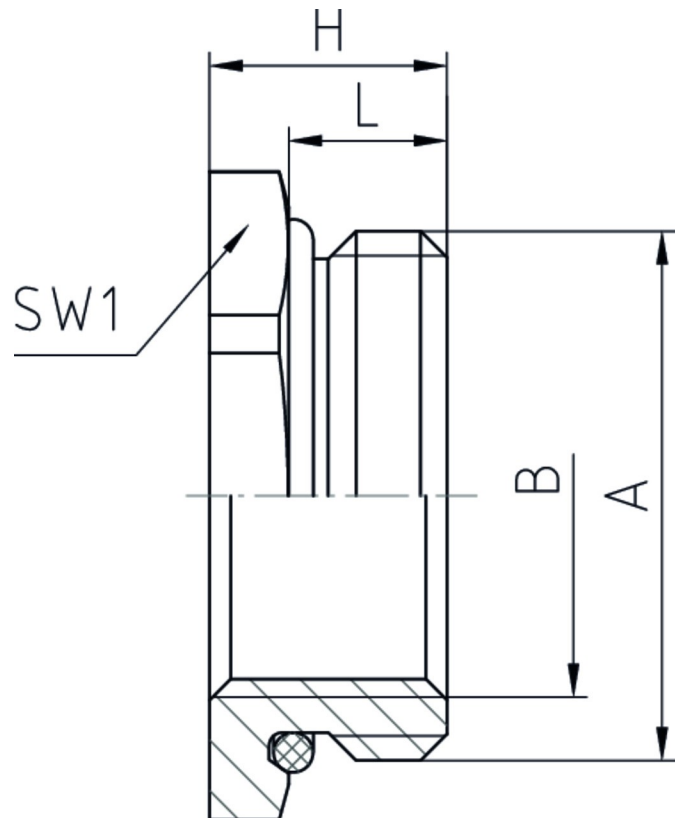
| | |
|------------------------|--------------------------------|
| Reduction | Brass CuZn39Pb3, nickel-plated |
| O-ring | Nitrile rubber NBR |
| External thread | Pg as per DIN 40430 |
| Internal thread | Pg as per DIN 40430 |



Properties


| | |
|--------------------------|--|
| Temperature range | -40 °C +100 °C |
| Protection grade | max.IP68 dependent on the combination with other components |

- reduction of threaded or clearance holes to smaller thread sizes



Features

| A | B | L | SW1 | H | VPE | Part No. |
|---------|-------|-----|-----|-----|-----|----------|
| Pg 9 | Pg 7 | 6 | 18 | 8,5 | 100 | 60907/OM |
| Pg 11 | Pg 7 | 6 | 20 | 8,5 | 100 | 61107/OM |
| Pg 11 | Pg 9 | 6 | 20 | 8,5 | 100 | 61109/OM |
| Pg 13,5 | Pg 7 | 6,5 | 24 | 9,5 | 100 | 61307/OM |
| Pg 13,5 | Pg 9 | 6,5 | 24 | 9,5 | 100 | 61309/OM |
| Pg 13,5 | Pg 11 | 6,5 | 24 | 9,5 | 100 | 61311/OM |
| Pg 16 | Pg 7 | 6,5 | 24 | 9,5 | 100 | 61607/OM |
| Pg 16 | Pg 9 | 6,5 | 24 | 9,5 | 100 | 61609/OM |

| A | B | L | SW1 | H |  VPE | Part No. |
|-------|---------|-----|-----|------|--|----------|
| Pg 16 | Pg 11 | 6,5 | 24 | 9,5 | 100 | 61611/OM |
| Pg 16 | Pg 13,5 | 6,5 | 24 | 9,5 | 100 | 61613/OM |
| Pg 21 | Pg 11 | 7 | 32 | 10 | 100 | 62111/OM |
| Pg 21 | Pg 13,5 | 7 | 32 | 10 | 100 | 62113/OM |
| Pg 21 | Pg 16 | 7 | 32 | 10 | 100 | 62116/OM |
| Pg 29 | Pg 16 | 8 | 41 | 11,5 | 50 | 62916/OM |
| Pg 29 | Pg 21 | 8 | 41 | 11,5 | 50 | 62921/OM |
| Pg 36 | Pg 21 | 9 | 50 | 12,5 | 25 | 63621/OM |
| Pg 36 | Pg 29 | 9 | 50 | 12,5 | 25 | 63629/OM |
| Pg 42 | Pg 36 | 10 | 60 | 14 | 25 | 64236/OM |