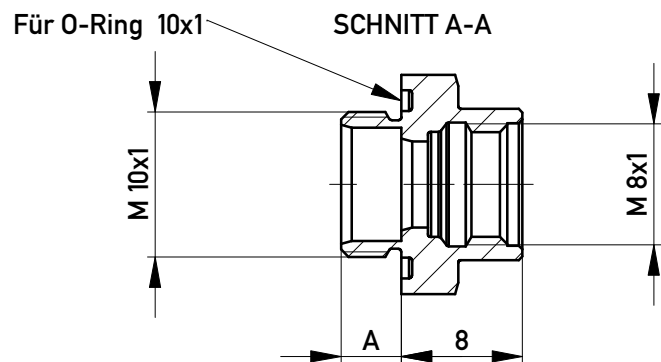
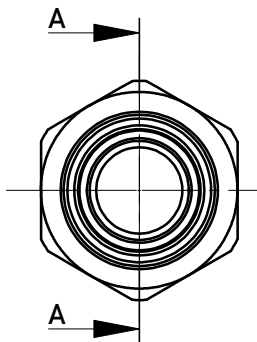
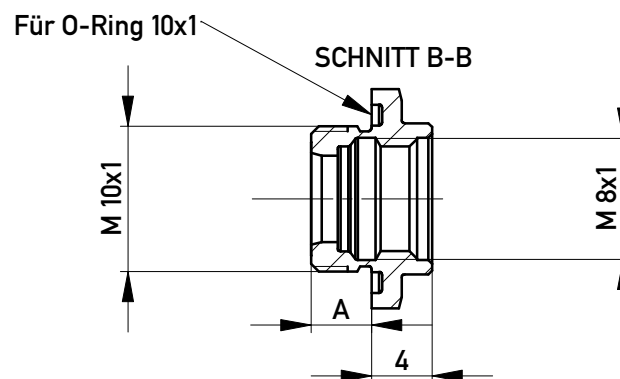
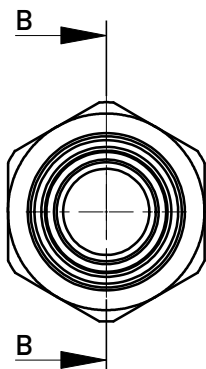


254154



284067



254154	4	Abstand : 9mm / distance 9mm
284067	4	Abstand : 13mm / distance 13mm
Ident-Nr.	Mass A	Bemerkung

Copyright by ERNI Production GmbH & Co. KG
Proprietary notice pursuant to ISO 16016 to be observed.

Information:		Tolerances	Scale 2:1		
All rights reserved. Only for Information. To ensure that this is the latest version of this drawing, please contact one of the ERNI companies before using.		 All Dimensions in mm	CuZn		
Subject to modification without prior notice. Drawing will not be updated.			Designation M 8 Gehäuseteil für Federleiste		
www.ERNI.com		254155			I
j	27.01.2017	Class MRDEZT			A4
Index	Date				