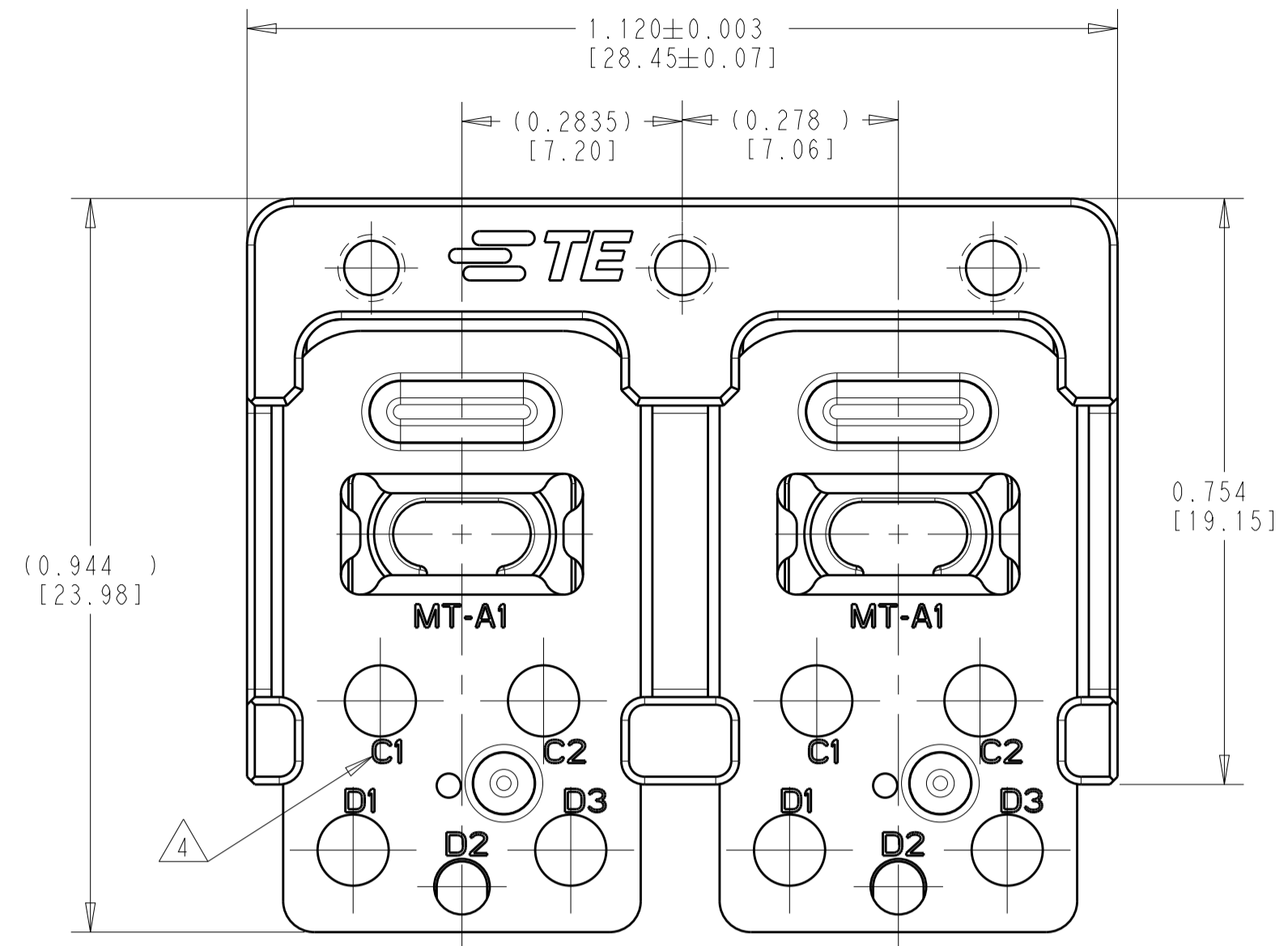
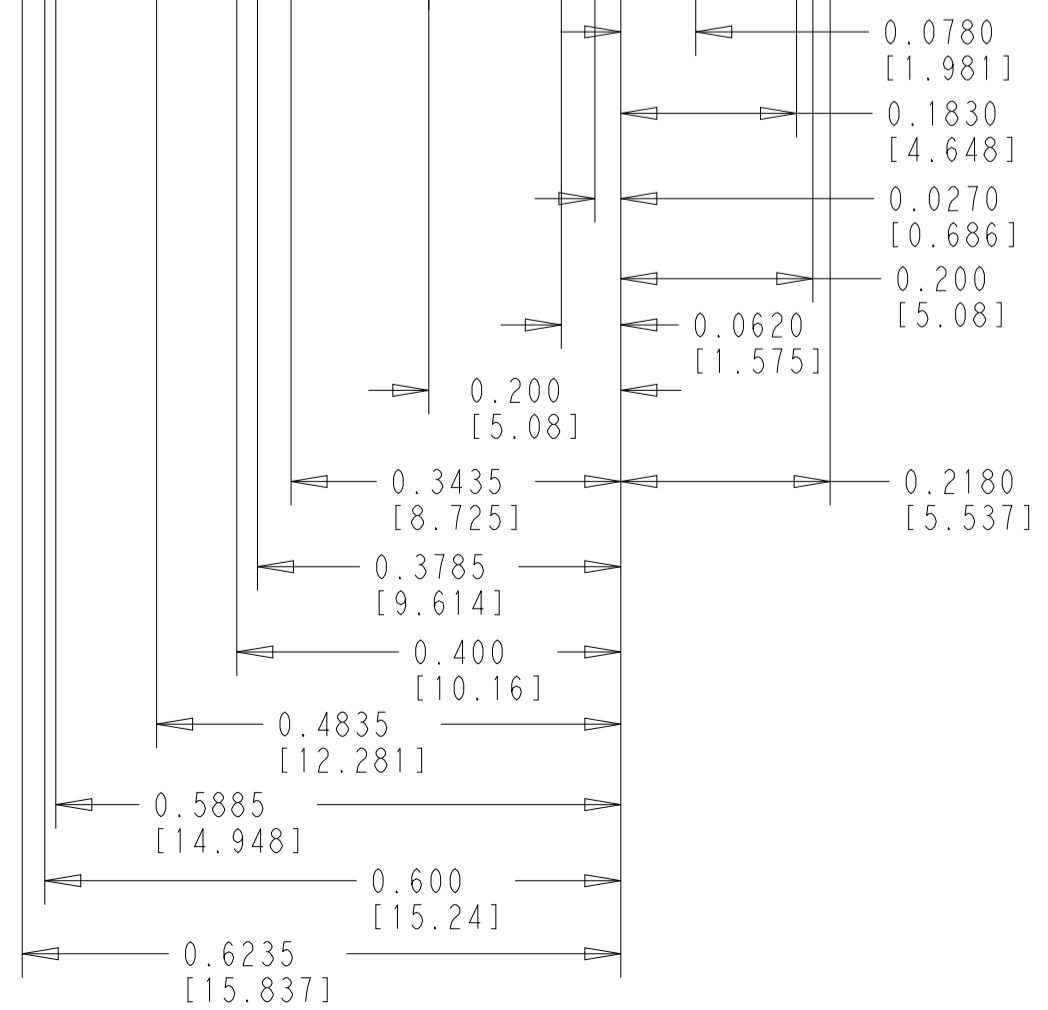
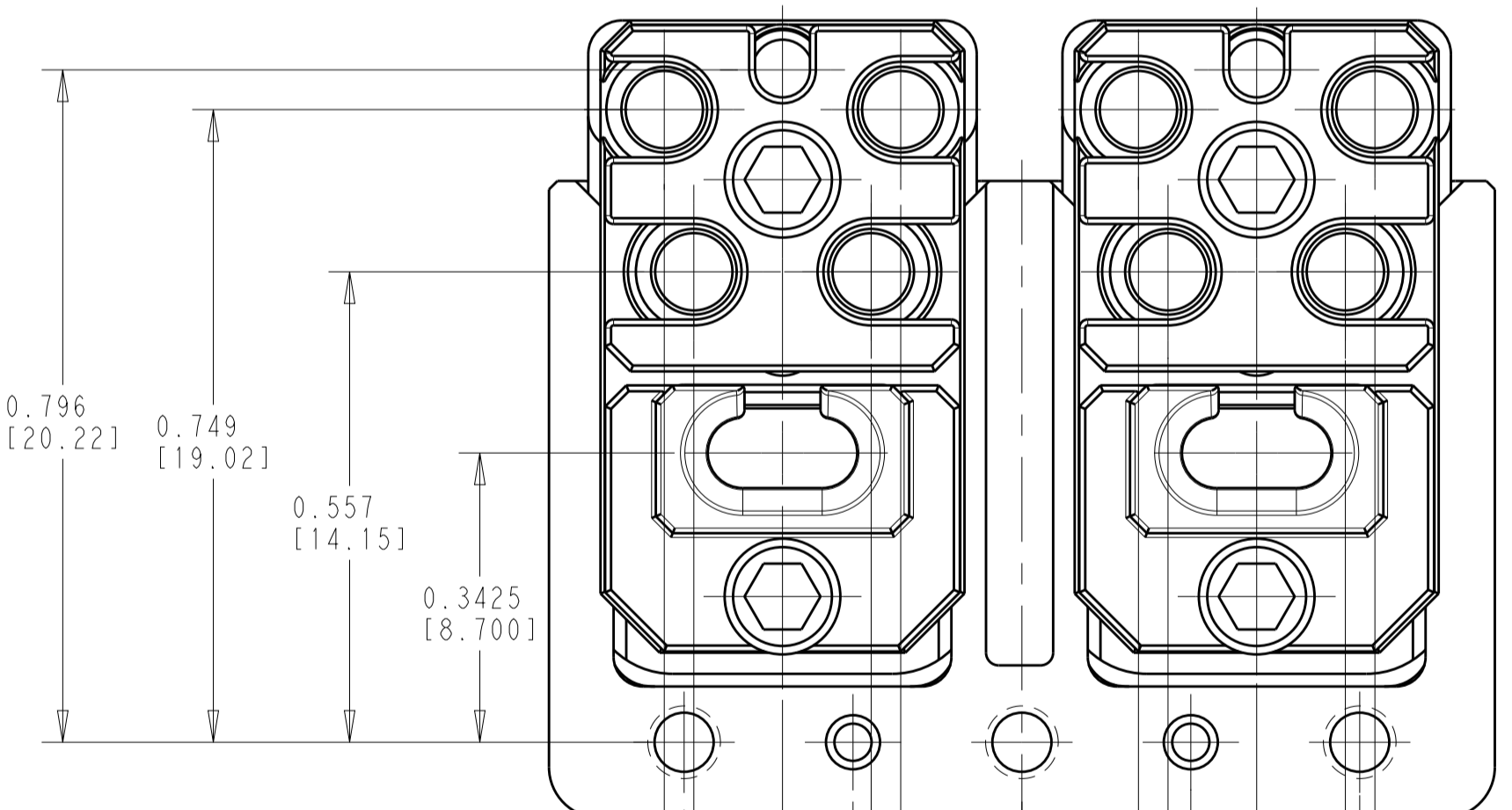
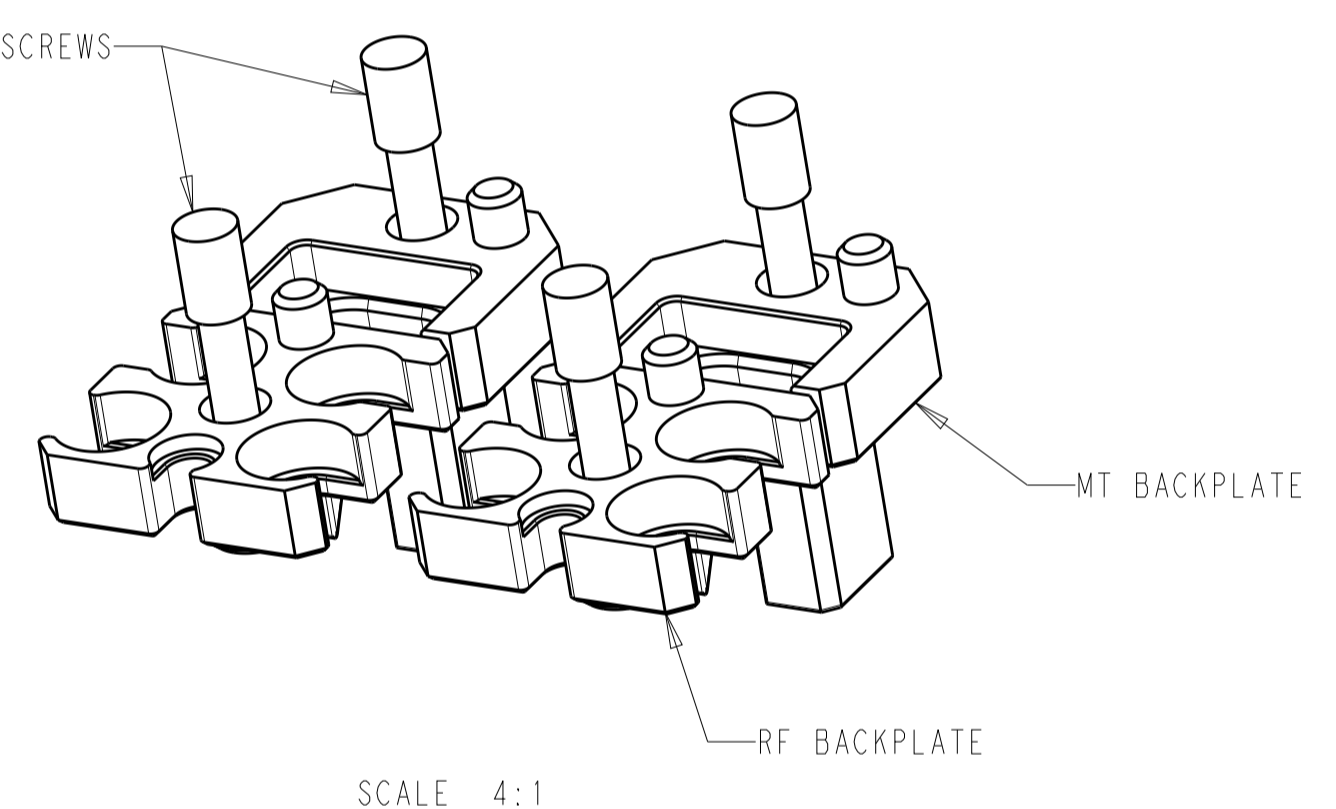
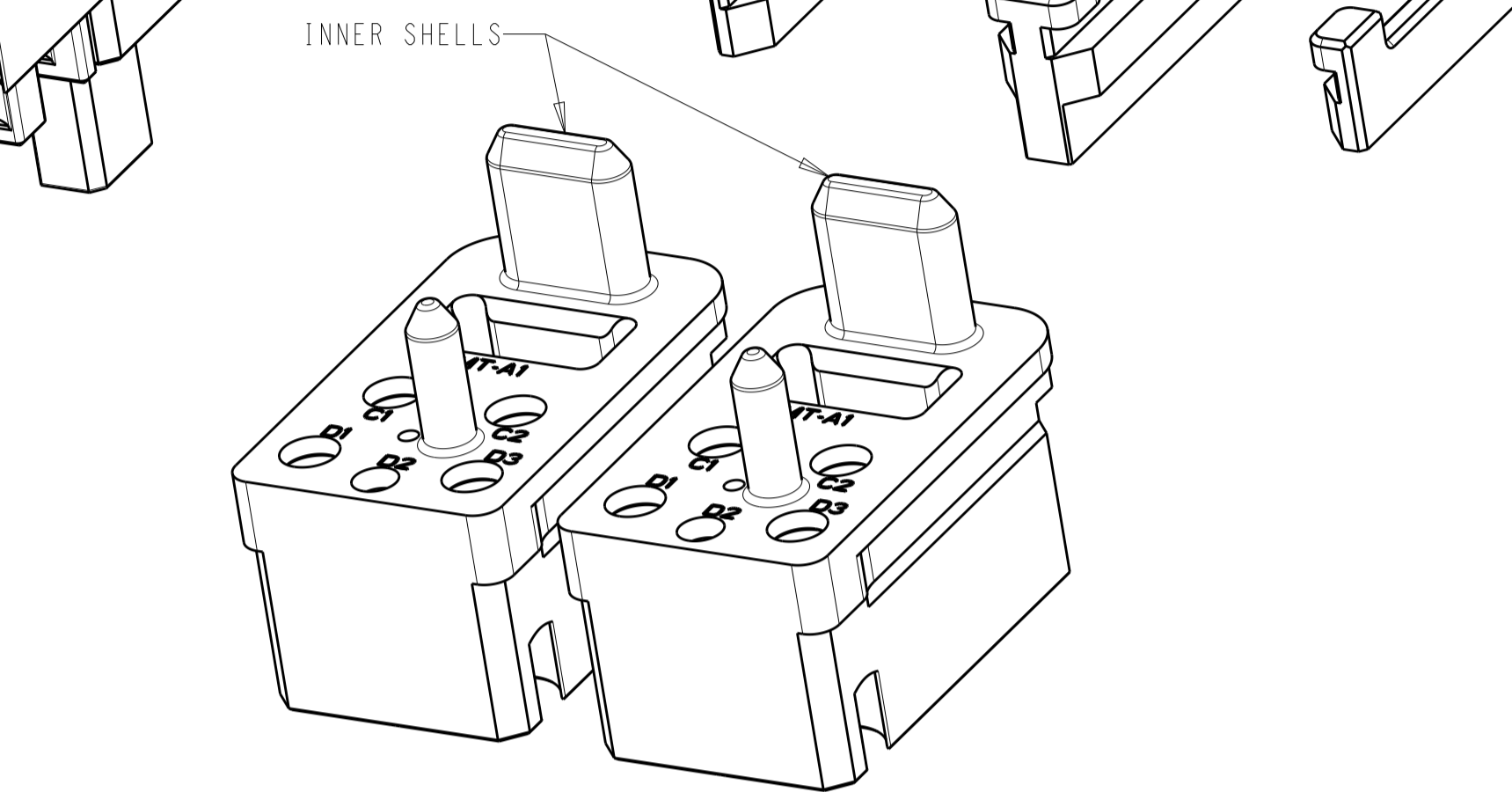
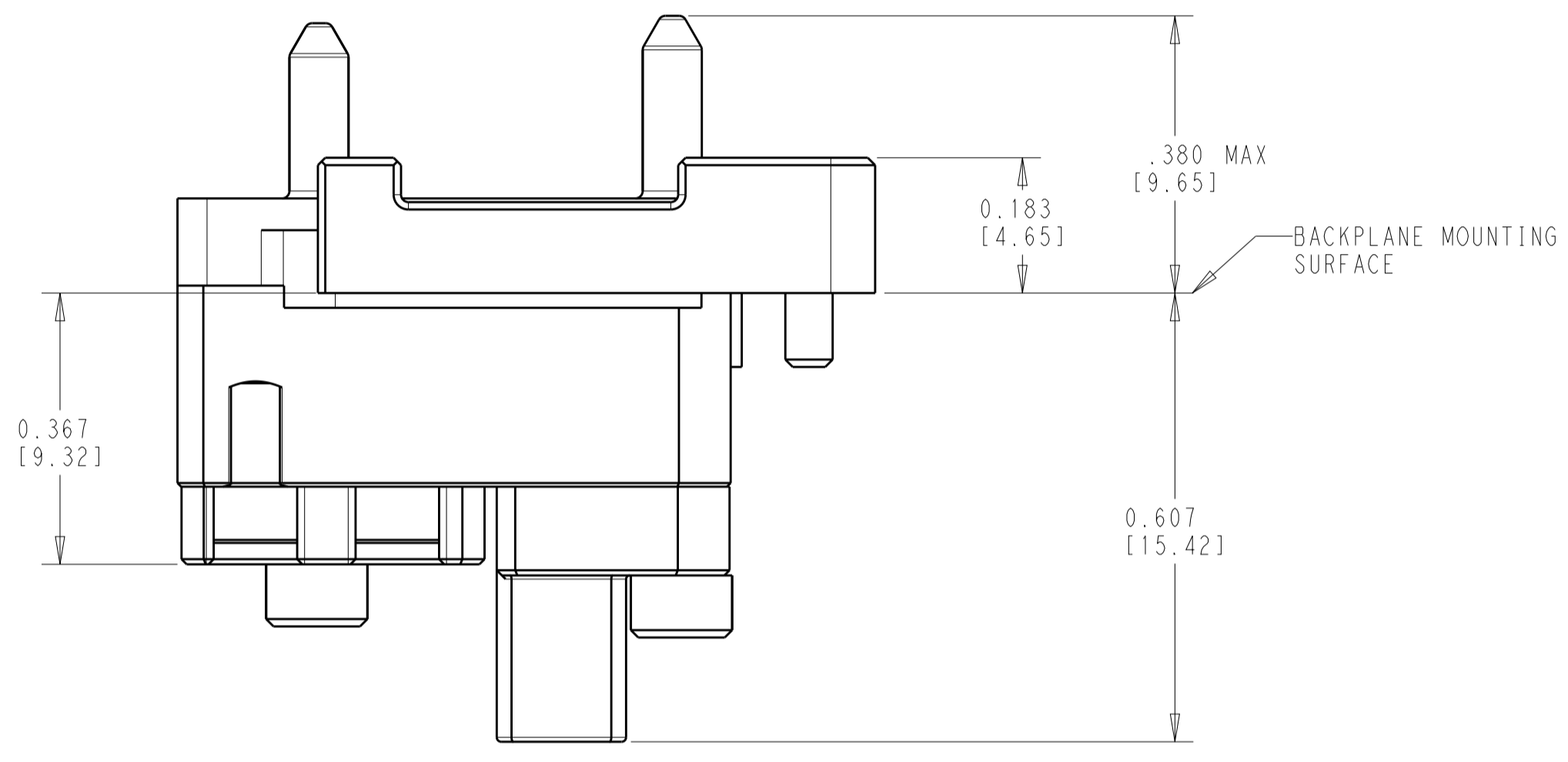
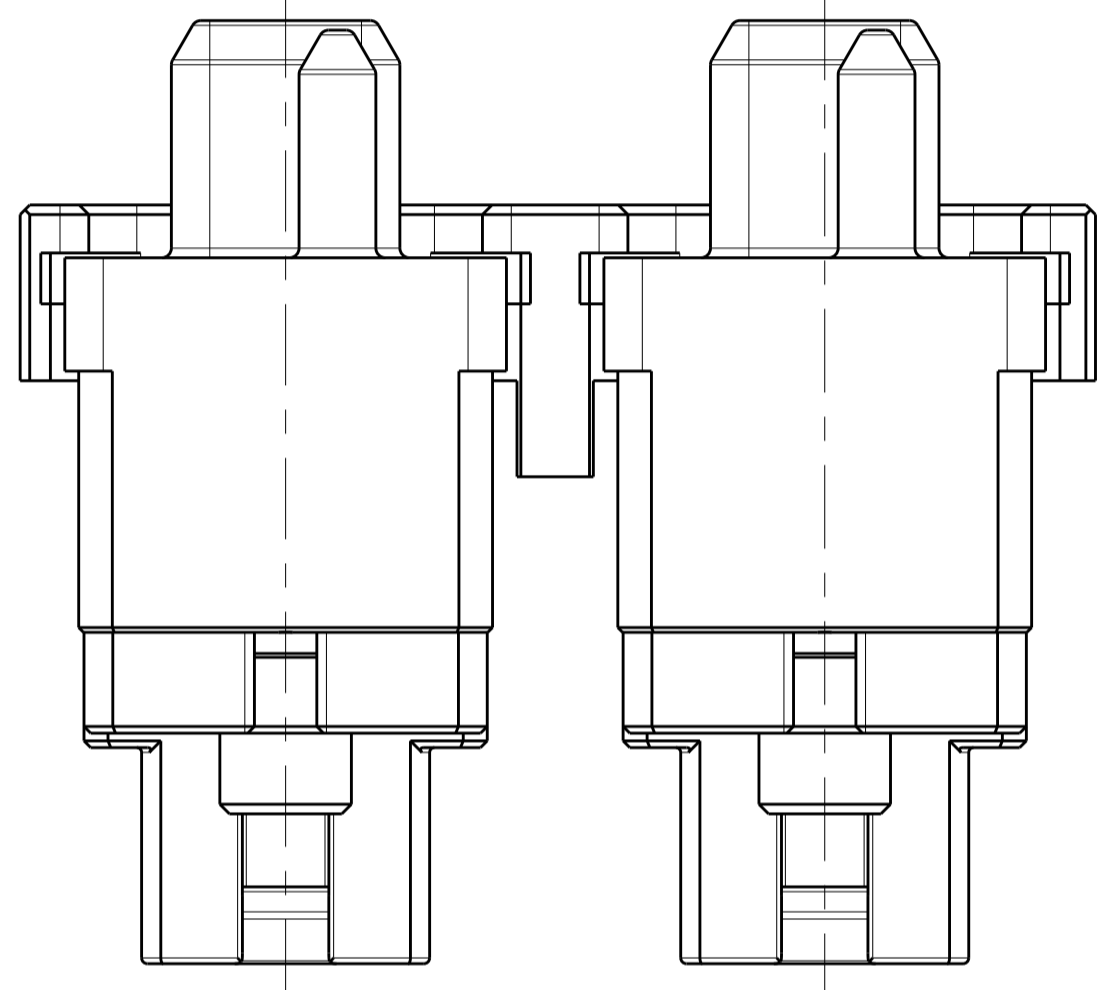
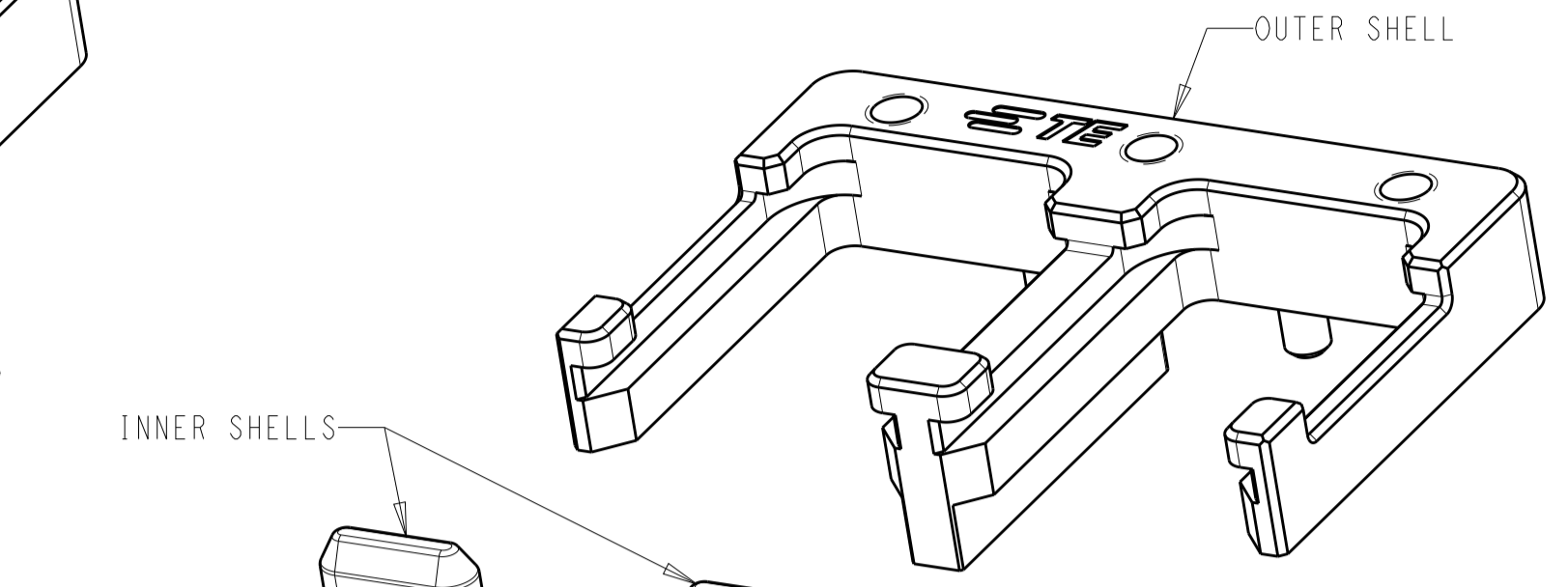
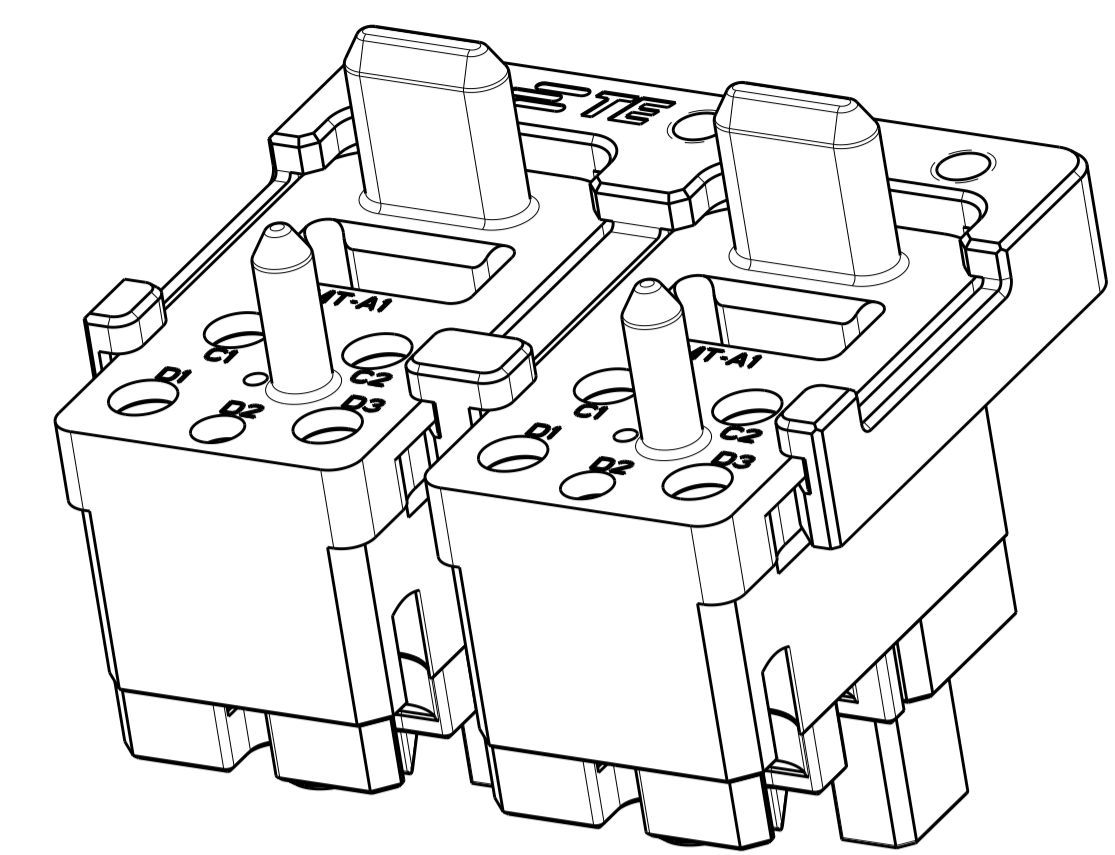


REVISIONS				
P	LTR	DESCRIPTION	DATE	APP'D
A		RELEASED PER ECO-20-017928	15DEC2020	KM CG



CIRCUIT	CABLE SIZE
MT-A1	-
C1, C2	.086
D1, D3	.086
D2	.047

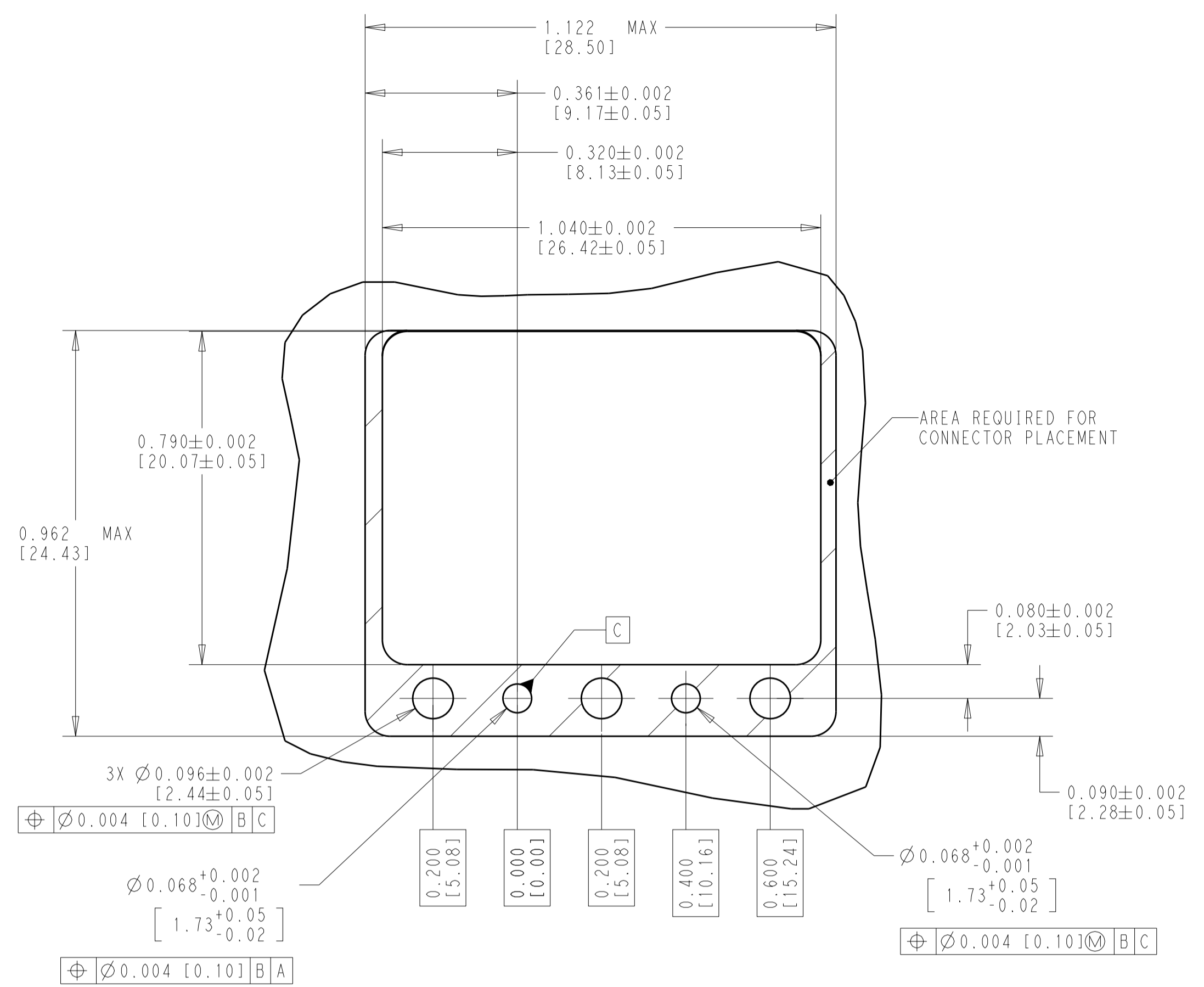


- 1 MATERIAL:
OUTER SHELL, INNER SHELLS AND BACKPLATES - ALUMINUM ALLOY
SCREWS - 300 SERIES STAINLESS STEEL
- 2 FINISH:
OUTER SHELL, INNER SHELLS AND BACKPLATES - CLEAR CHROMATE CONVERSION COATING
SCREWS - PASSIVATED
- 3. SHIPPED IN KIT FORM. BACKPLATE SCREWS TO BE ASSEMBLED TO BACKPLATE.
- 4 CIRCUIT IDENTIFICATION MARKING
- 5. DESIGNED TO BE USED WITH NanoRF CONTACTS 2302345-1 (.047 CABLE) AND 2332772-1 (.086 CABLE) AND MT FERRULE KIT 2332756-1 (12 FIBER) OR 2332756-2 (24 FIBER) ORDERED SEPARATELY.
- 6 PRODUCT SPEC:
NanoRF: 108-163006
MT FIBER OPTIC: 108-163029
- 7 APPLICATION SPEC:
NanoRF: 408-163016
MT FIBER OPTIC: 114-163023

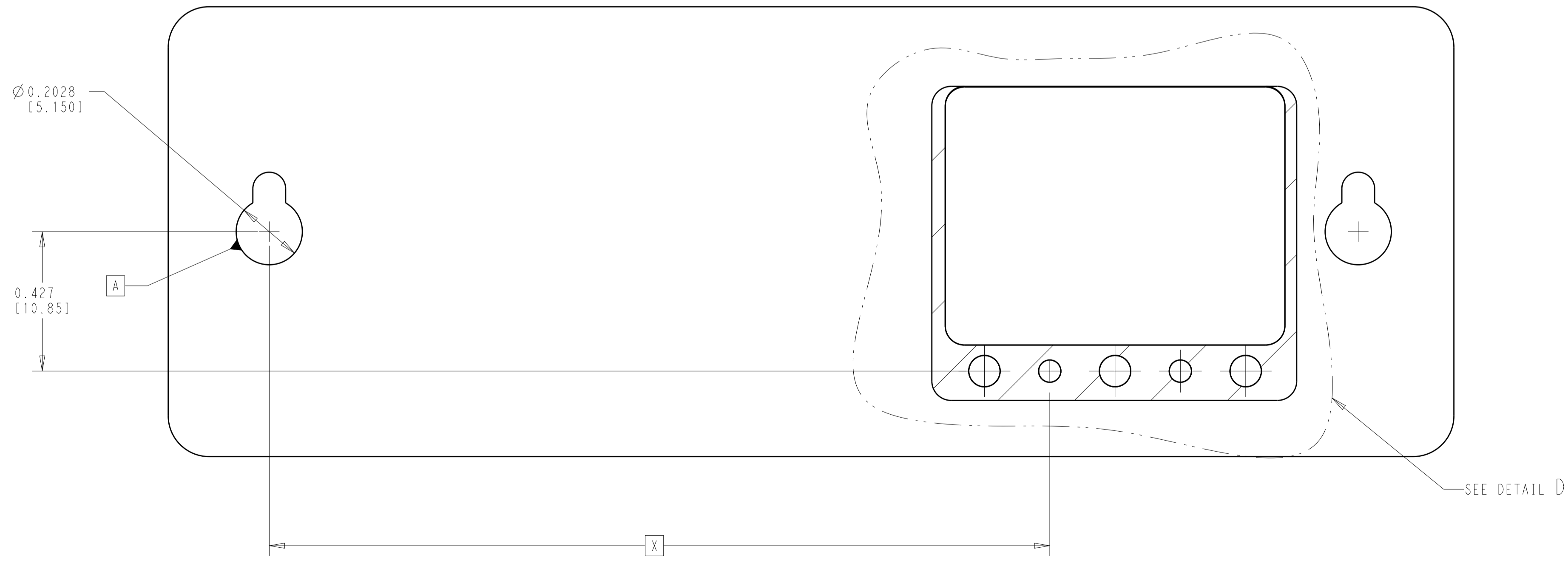
2358791-1
PART NUMBER

THIS DRAWING IS A CONTROLLED DOCUMENT.		DWN R. MILLER CHK C. GINGRICH	08JUL2019 16AUG2019	TE Connectivity
DIMENSIONS: [INCHES][mm]	TOLERANCES UNLESS OTHERWISE SPECIFIED:	PRODUCT SPEC 6	NAME NanoRF MODULE, BACKPANE, 2 POS F/O PLUS 8 POSITION .086 CABLE PLUS 2 POSITION .047 CABLE, VITA	
MATERIAL	FINISH	APPLICATION SPEC 7	SIZE A	RESTRICTED TO
CUSTOMER DRAWING		WEIGHT	CAGE CODE 00779	SCALE 5:1
		SHEET 1 OF 2		REV A

REVISIONS				
P.	LTN	DESCRIPTION	DATE	APVD
-	-	SEE SHEET 1	-	-



DETAIL D
SCALE 4:1



REF PCB LAYOUT - SEE VITA 67.3 FIGURE 6.1.4.1-1

J2	2.385[60.58]
J3	3.942[100.13]
J4	5.276[134.00]
J5	6.409[162.80]
J6	7.557[191.95]
POSITION	DIM "X"

THIS DRAWING IS A CONTROLLED DOCUMENT.		DWN R. MILLER CHK C. GINGRICH	08JUL2019 16AUG2019	 TE Connectivity
DIMENSIONS: [INCHES][mm]	TOLERANCES UNLESS OTHERWISE SPECIFIED:	APVD	NAME	
0 PLC ± 1 PLC ± 2 PLC ± 3 PLC ±.005[0.13] 4 PLC ± ANGLES ±1°	FINISH	PRODUCT SPEC	NanoRF MODULE, BACKPANE, 2 POS F/O PLUS 8 POSITION .086 CABLE PLUS 2 POSITION .047 CABLE, VITA	
MATERIAL	SCALE	APPLICATION SPEC	RESTRICTED TO	
	5:1	WEIGHT	A 00779 C=2358791	
	SHEET 2 OF 2	CUSTOMER DRAWING	REV A	