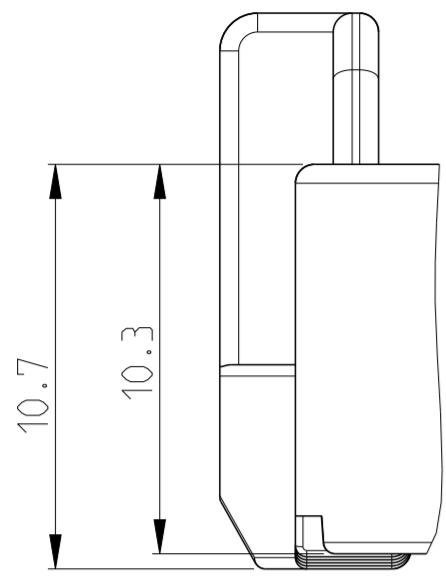
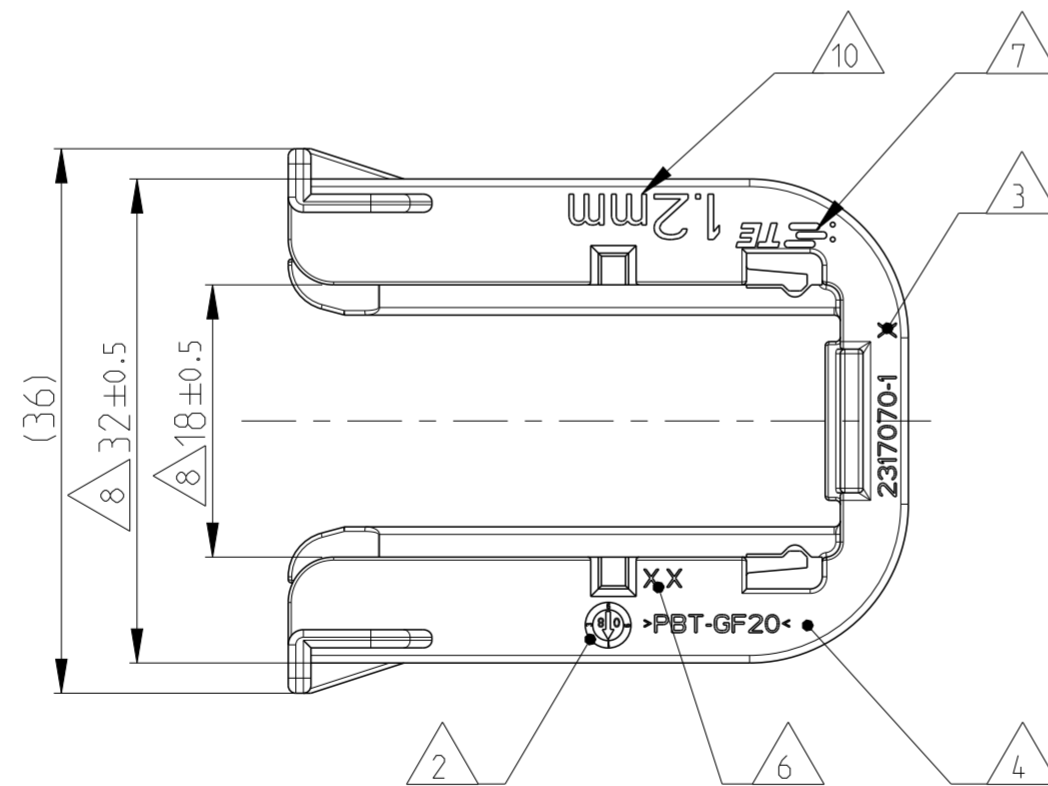
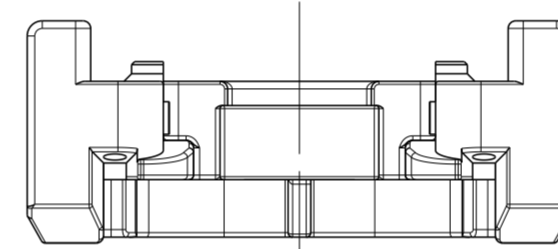
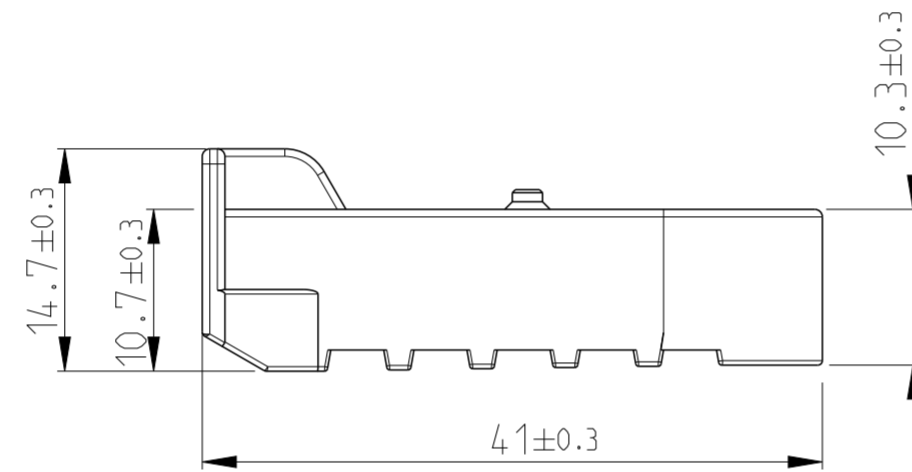
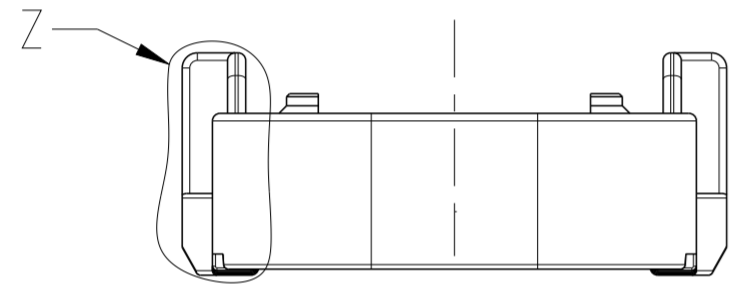
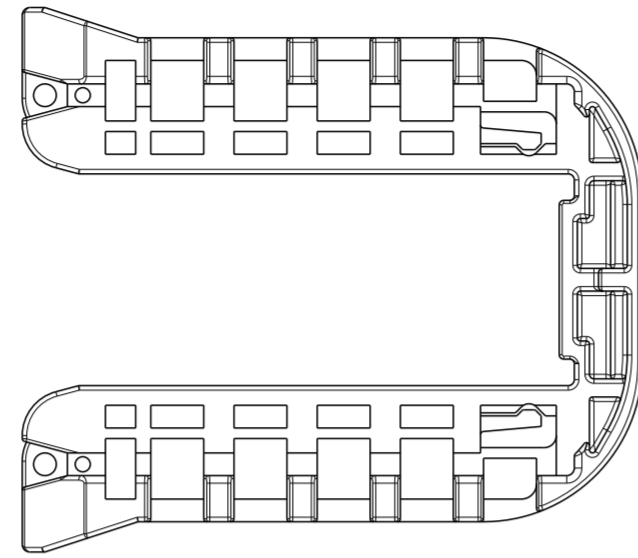


THIS DRAWING IS UNPUBLISHED
 RELEASED FOR PUBLICATION
 2017
 COPYRIGHT 2017 BY - ALL RIGHTS RESERVED.

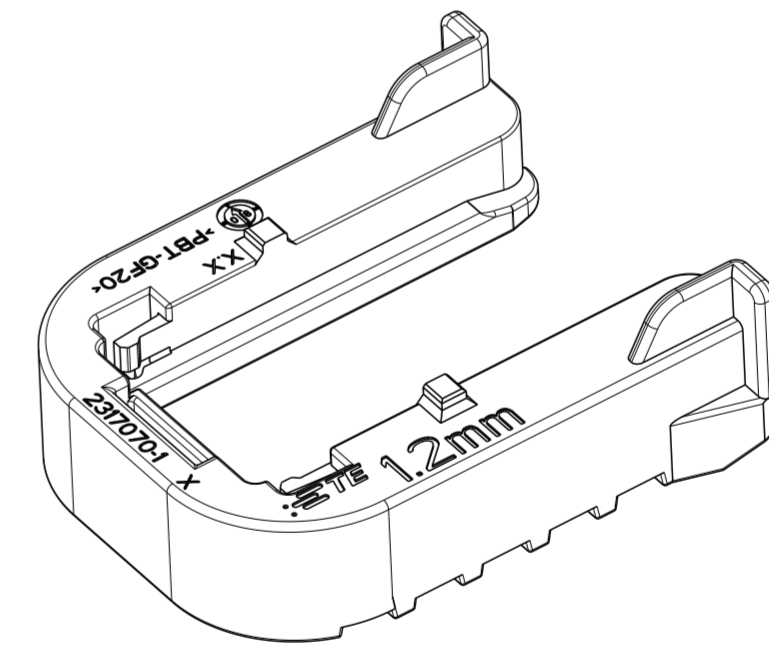
| REVISIONS | | | | | |
|-----------|-----|-----------------|-----------|-----|------|
| P | LTR | DESCRIPTION | DATE | DWN | APVD |
| | A | INITIAL RELEASE | 27FEB2017 | C.W | I.Y |
| | A1 | ECN-22-136448 | 28JAN2022 | J.S | Z.Z |
| | | | | | |
| | | | | | |



Z
5:1



1. MATERIAL : PBT-GF20 OR EQUIVALENC RESIN.
2. PRODUCT DATE
3. LETTER-INSERTFOR THE REVISION STATUS OF THE MOULD
4. MATERIAL MARKING ACCORDING TO VDA260
5. BULK PACKAGING IN CORRUGATED BOX
6. MOULD CAVITY MARKING
7. TE LOGO
8. WARGAGE PERMITTED UP TO -1.5MM FROM NOMINAL SIZE
9. SUITALBE FOR TAB HOUISNG WITH FLANGE GROUP D, SEE PRODUCT GROUP DRAWING 1563709.
10. MARKING FOR SUITABLE SHEET METEAL THICKNESS(NOMINAL SIZE)



| | | | | | |
|--------------|------|--------------|--------|------------|------|
| 2317070-1 | A | PBT-GF20/V-0 | Orange | 6.3 | 1 |
| TE ORDER-NO. | REV. | MATERIAL | COLOUR | WEIGHT (g) | ITEM |

| | | | | | |
|---|--|-------------------------------|--|----------------|--------------------------|
| THIS DRAWING IS A CONTROLLED DOCUMENT. | | DWN C.WAN 27FEB2017 | TE Connectivity | | |
| DIMENSIONS: mm | | CHK S.WANG 27FEB2017 | | | |
| TOLERANCES UNLESS OTHERWISE SPECIFIED: ACC. TO DIN 16901-140 | | APVD J.YIN 27FEB2017 | NAME SLIDE, TAB HOUSING - GROUP D FOR 1.2MM SHEETMETAL Heavy Duty Sealed Connector Series | | |
| 1 PLC ± | | PRODUCT SPEC 108-94020 | SIZE A2 | CAGE CODE - | DRAWING NO. C-2317070 |
| 2 PLC ± | | APPLICATION SPEC 114-18756 | RESTRICTED TO | | |
| 3 PLC ± | | WEIGHT SEE TABLE | SCALE 2:1 | | |
| 4 PLC ± | | CUSTOMER DRAWING | SHEET 1 OF 1 | | |
| ANGLES ±2° | | REV A1 | | | |
| FINISH SEE TABLE | | | | | |