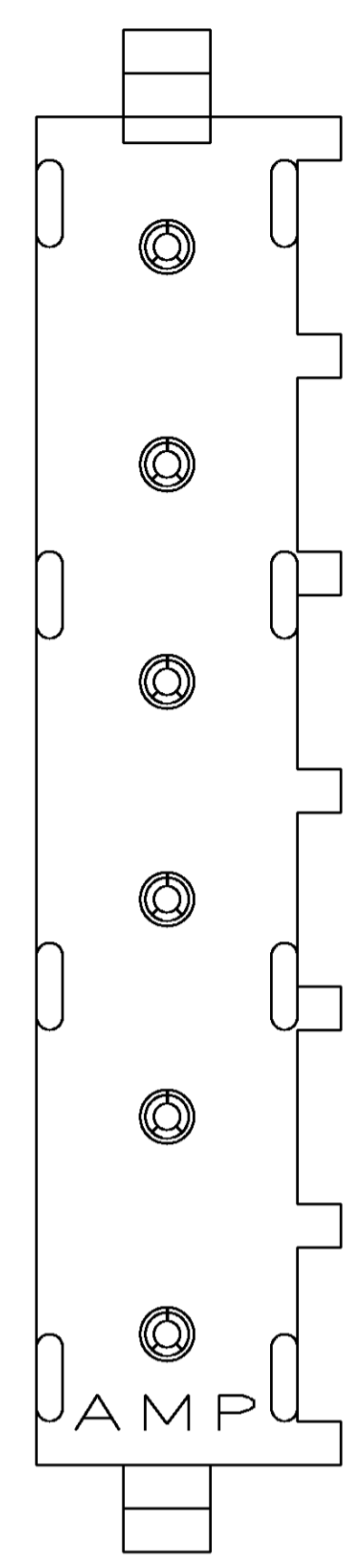
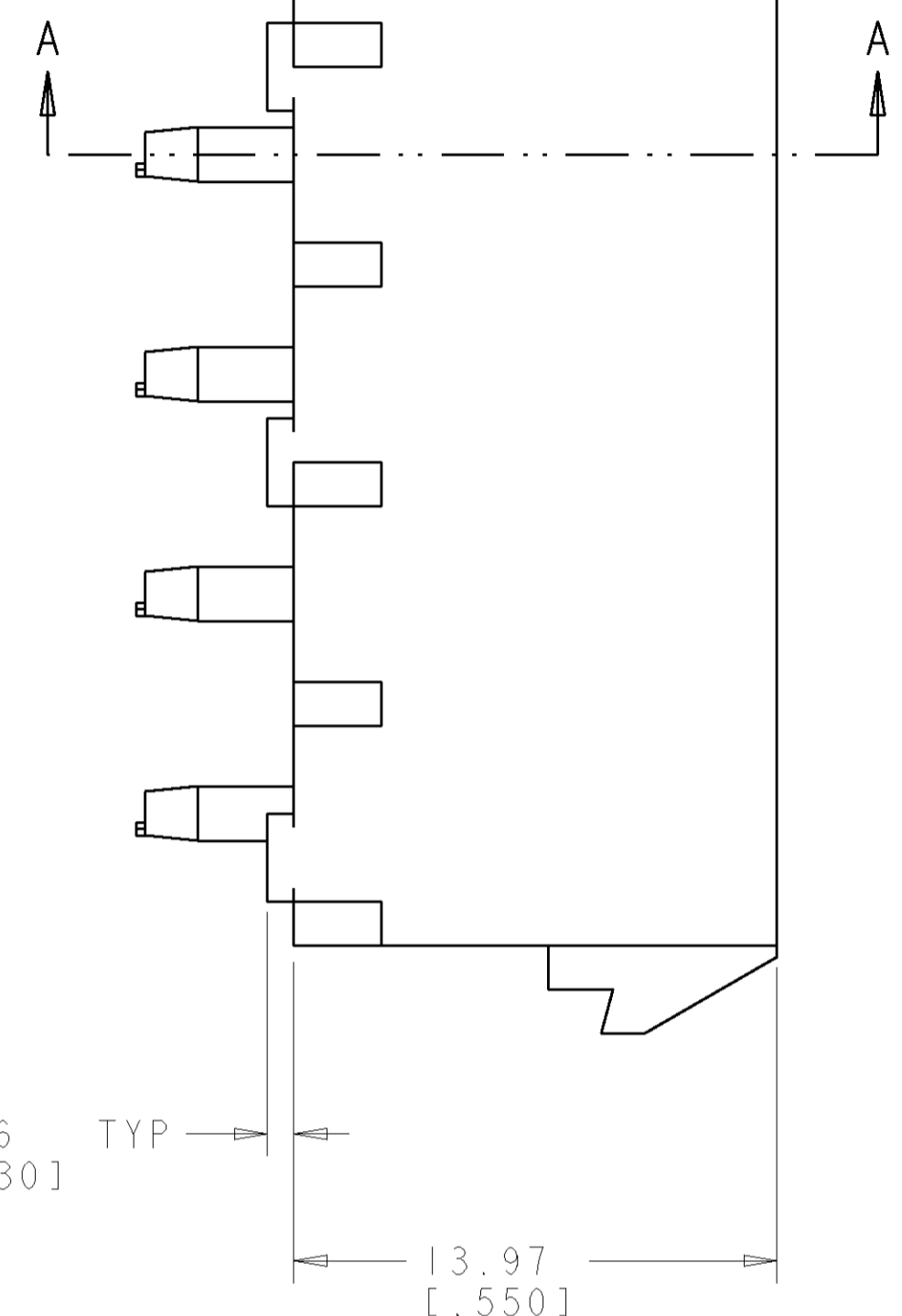


LOC	DIST	REVISIONS				
CM	00	F. LTR	DESCRIPTION	DATE	DWN	APVD
		0	REVISED PER 0638-0087-04	27APR04	KW	SR

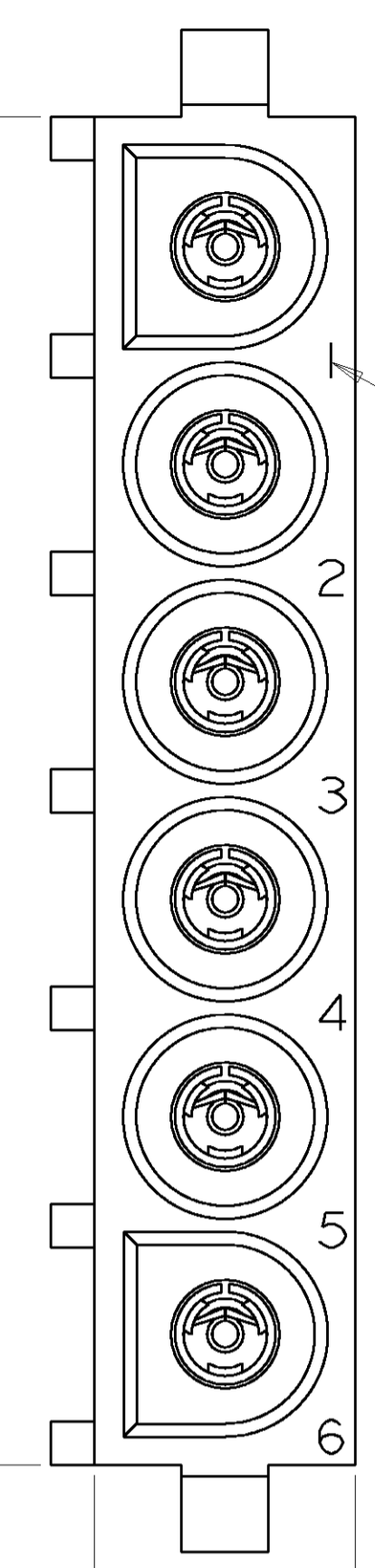


CONTACT
6 REQ'D



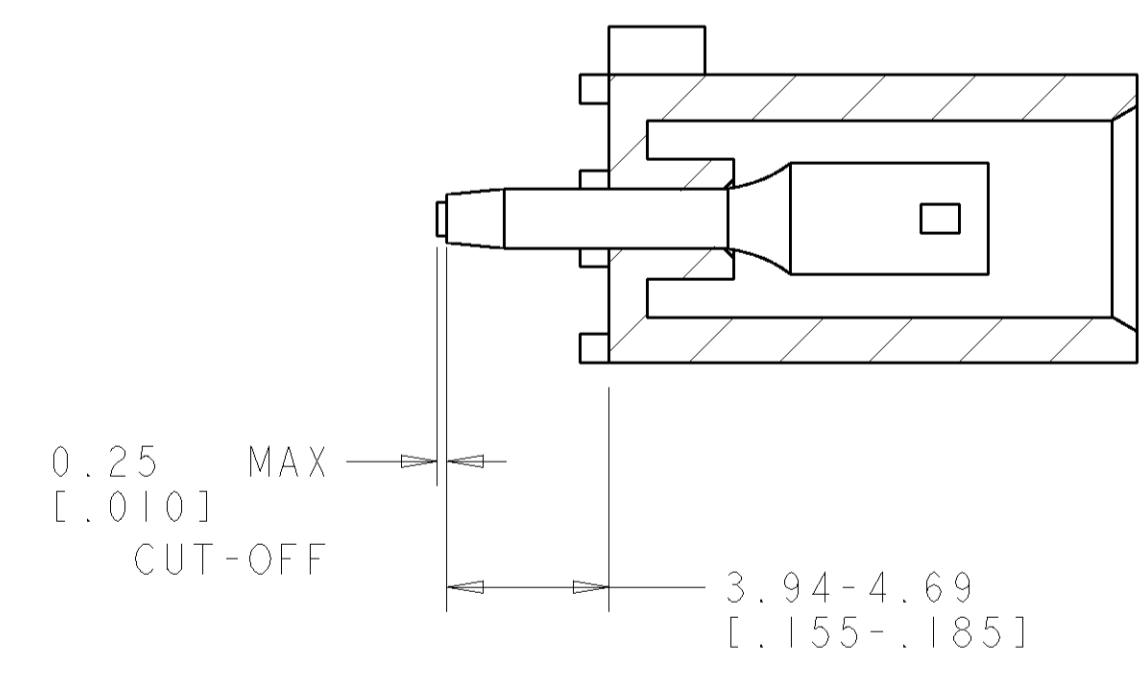
HOUSING

39.37 [1.550]

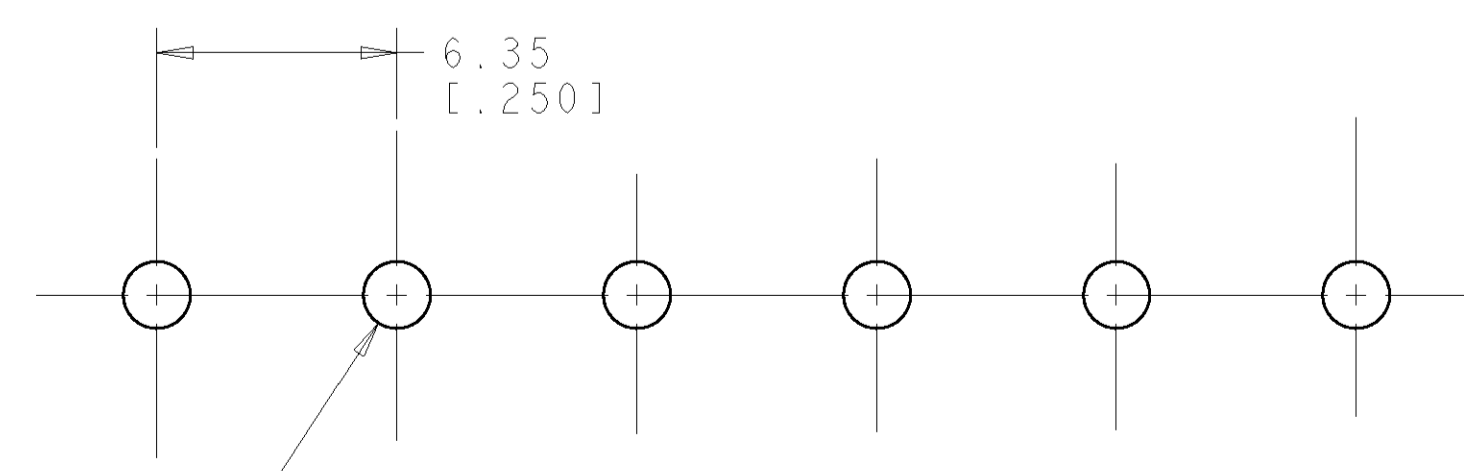


7.62 [.300]

- PARTS COMPLY TO AMP SOLDERABILITY SPECIFICATION 109-11-3.
- CIRCUIT IDENTIFICATION CHARACTERS ARE ADJACENT TO THE INDICATED CAVITIES, BUT LOCATION AND ORIENTATION MAY DIFFER FROM PRINT.
- DIMENSIONS IN BRACKETS ARE IN INCHES.
- IDENTIFICATION WILL APPEAR AT CIRCUIT NO. 1, OTHERS OPTIONAL.

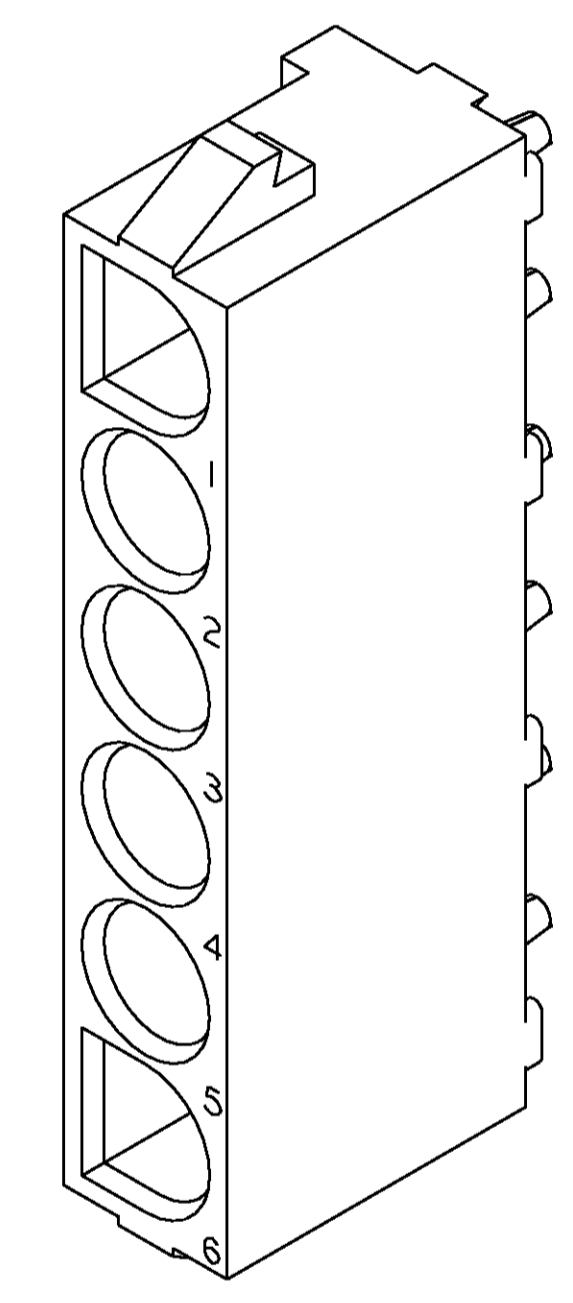


SECTION A-A



$\phi 1.78 \pm 0.07$
[.070 \pm .003]
6 PLC

RECOMMENDED MOUNTING HOLE PATTERN
FOR 1.57 [.062] THICK P.C. BOARD



SCALE 4:1

PHOSPOR BRONZE, PRE-TIN PIN CONTACT MATERIAL AND FINISH		NYLON, UL94V-2, NATURAL HOUSING MATERIAL AND COLOR		1586202-1 PART NUMBER
<small>THIS DRAWING IS UNPUBLISHED. RELEASED FOR PUBLICATION BY TYCO ELECTRONICS CORPORATION. ALL RIGHTS RESERVED.</small>		DWN R. WHITAKER 27APR04 CHK S. RIDGILL 27APR04 APVD S. RIDGILL 27APR04		Tyco Electronics Harrisburg, PA 17105-3608
DIMENSIONS: mm [INCHES] TOLERANCES UNLESS OTHERWISE SPECIFIED: 0 PLC ± 1 PLC ±0.13 [.005] 2 PLC ± 3 PLC ± 4 PLC ± ANGLES ±30°		NAME: SOCKET HEADER ASSEMBLY, 6 CIRCUIT INLINE, NO DRAIN HOLES, UNIVERSAL MATE-N-LOK™ PRODUCT SPEC: - APPLICATION SPEC: - FINISH: SEE TABLE		SIZE: A1 CAGE CODE: 00779 DRAWING NO: 1586202 RESTRICTED TO: - REV: 0
MATERIAL: SEE TABLE		WEIGHT: -		CUSTOMER DRAWING

