

# Panel feed-through - SACC-DSI-M12FS-12CON-M16 - 1441833

Please be informed that the data shown in this PDF Document is generated from our Online Catalog. Please find the complete data in the user's documentation. Our General Terms of Use for Downloads are valid (<http://phoenixcontact.com/download>)



Sensor/actuator flush-type connector, female connector, 12-pos. M12 SPEEDCON, A-coded, rear/screw mounting with M16 thread, with straight solder pins

## Your advantages

- ✓ Easy PCB assembly: one-piece connectors for wave soldering
- ✓ All standard pin assignments and codings for signal, data, and power transmission with a uniform design-in design
- ✓ SPEEDCON fast locking system reduces cabling times



## Key Commercial Data

|                        |               |
|------------------------|---------------|
| Packing unit           | 20 pc         |
| Minimum order quantity | 20 pc         |
| GTIN                   |               |
| GTIN                   | 4046356534031 |

## Technical data

### Dimensions

|                          |      |
|--------------------------|------|
| Length of the solder pin | 6 mm |
|--------------------------|------|

### Ambient conditions

|                                 |                                                 |
|---------------------------------|-------------------------------------------------|
| Ambient temperature (operation) | -25 °C ... 85 °C (Plug / socket)                |
|                                 | -40 °C ... 85 °C (without mechanical actuation) |
| Degree of protection            | IP65/IP67                                       |

### General

|                       |                                                                                                                                                                                                                                                                                                                                                    |
|-----------------------|----------------------------------------------------------------------------------------------------------------------------------------------------------------------------------------------------------------------------------------------------------------------------------------------------------------------------------------------------|
| Note                  | The electrical and mechanical data specified assume that the connector pair is correctly locked and mounted. If the connector is unlocked and if there is a danger of contamination, the connector must be sealed using a protective cap > IP54. Influences arising from litz wires, cables or PCB assembly must also be taken into consideration. |
| Rated current at 40°C | 1.5 A                                                                                                                                                                                                                                                                                                                                              |
| Rated voltage         | 30 V                                                                                                                                                                                                                                                                                                                                               |

# Panel feed-through - SACC-DSI-M12FS-12CON-M16 - 1441833

## Technical data

### General

|                             |                                       |
|-----------------------------|---------------------------------------|
| Rated surge voltage         | 0.8 kV                                |
| Number of positions         | 12                                    |
| Insulation resistance       | ≥ 100 MΩ                              |
| Coding                      | A - standard                          |
| Standards/regulations       | M12 connector IEC 61076-2-101         |
| Status display              | No                                    |
| Overvoltage category        | II                                    |
| Degree of pollution         | 3                                     |
| Connection method           | Solder pins                           |
| Insertion/withdrawal cycles | > 100                                 |
| Torque                      | 3 Nm ... 4 Nm (Installation-side)     |
| Mounting type               | Rear mounting M16 x 1.5 With flat nut |

### Material

|                                        |                              |
|----------------------------------------|------------------------------|
| Flammability rating according to UL 94 | V0                           |
| Contact material                       | CuZn                         |
| Contact surface material               | Au                           |
| Contact carrier material               | PA 6.6                       |
| Material, knurls                       | Zinc die-cast, nickel-plated |
| Sealing material                       | FKM                          |

### Cable

|                          |                               |
|--------------------------|-------------------------------|
| Standards/specifications | M12 connector IEC 61076-2-101 |
|--------------------------|-------------------------------|

### Standards and Regulations

|                                        |                 |
|----------------------------------------|-----------------|
| Standard designation                   | M12 connector   |
| Standards/regulations                  | IEC 61076-2-101 |
| Flammability rating according to UL 94 | V0              |

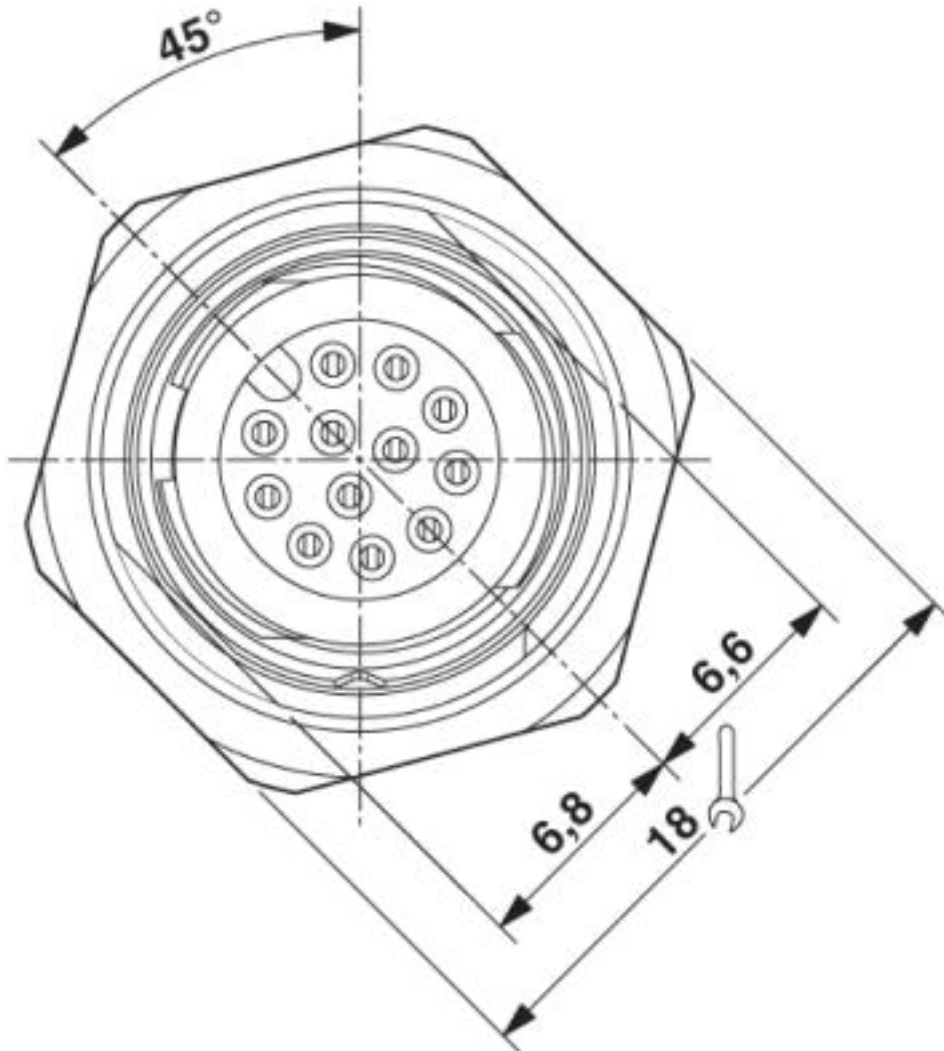
### Environmental Product Compliance

|            |                                                                                                     |
|------------|-----------------------------------------------------------------------------------------------------|
|            | Lead 7439-92-1                                                                                      |
| China RoHS | Environmentally Friendly Use Period = 50                                                            |
|            | For details about hazardous substances go to tab "Downloads", Category "Manufacturer's declaration" |

## Drawings

# Panel feed-through - SACC-DSI-M12FS-12CON-M16 - 1441833

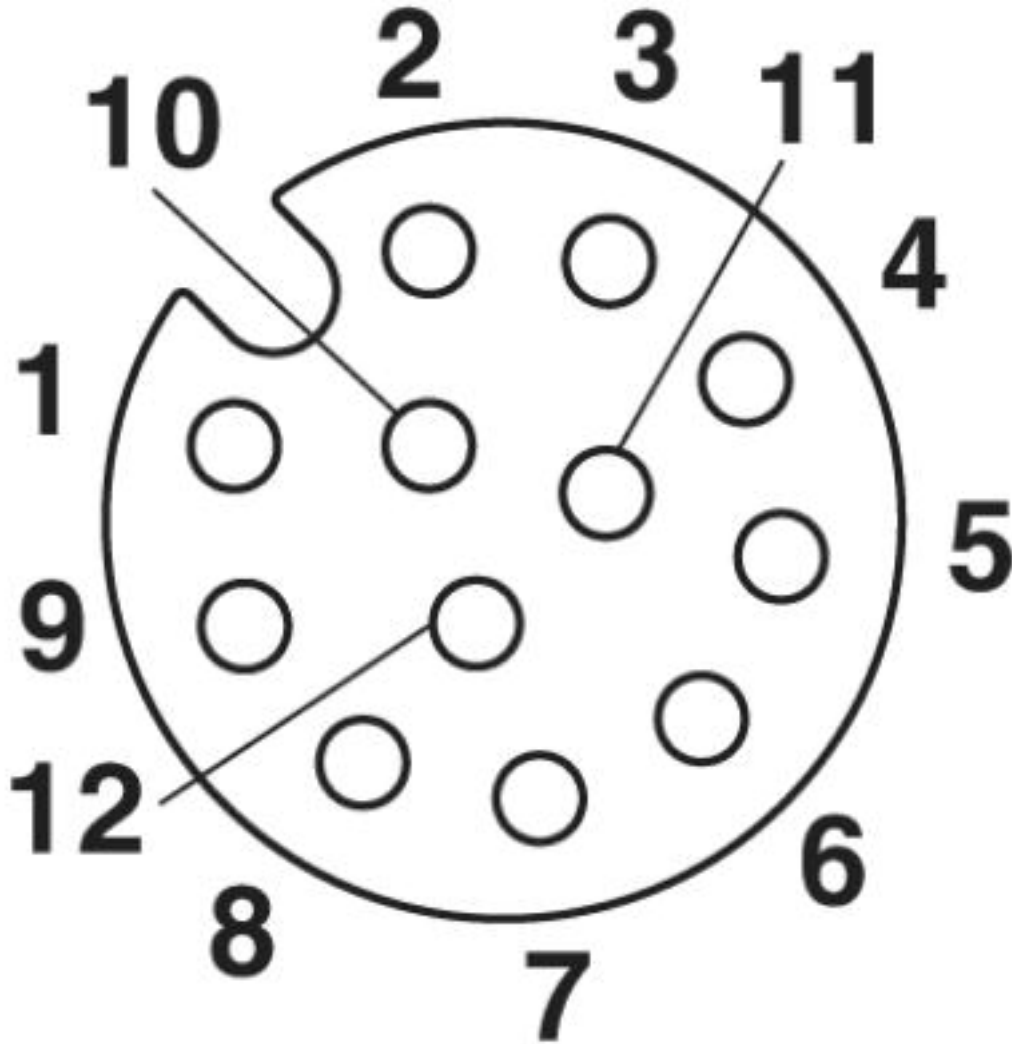
Dimensional drawing



M12 front view

# Panel feed-through - SACC-DSI-M12FS-12CON-M16 - 1441833

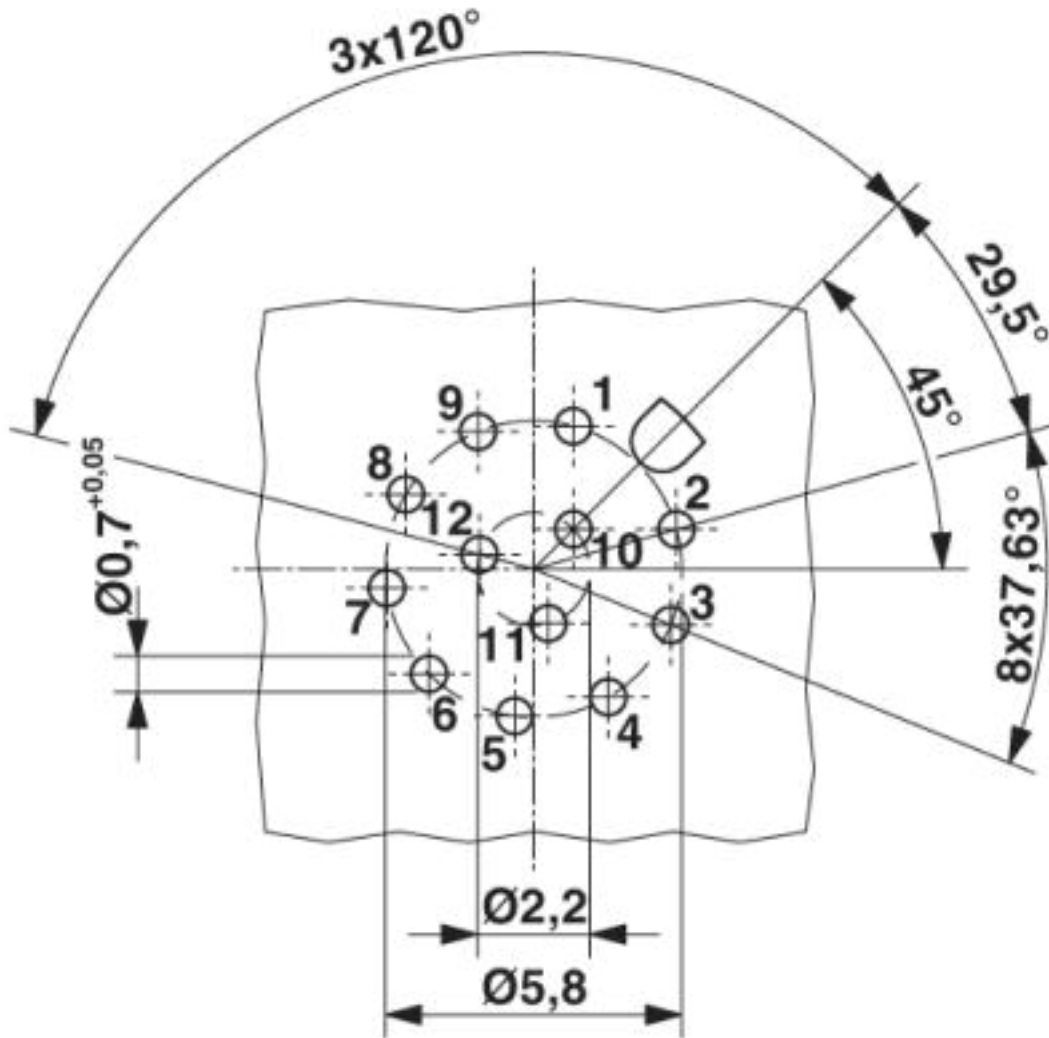
Schematic diagram



Pin assignment M12, 12-pos., female side view

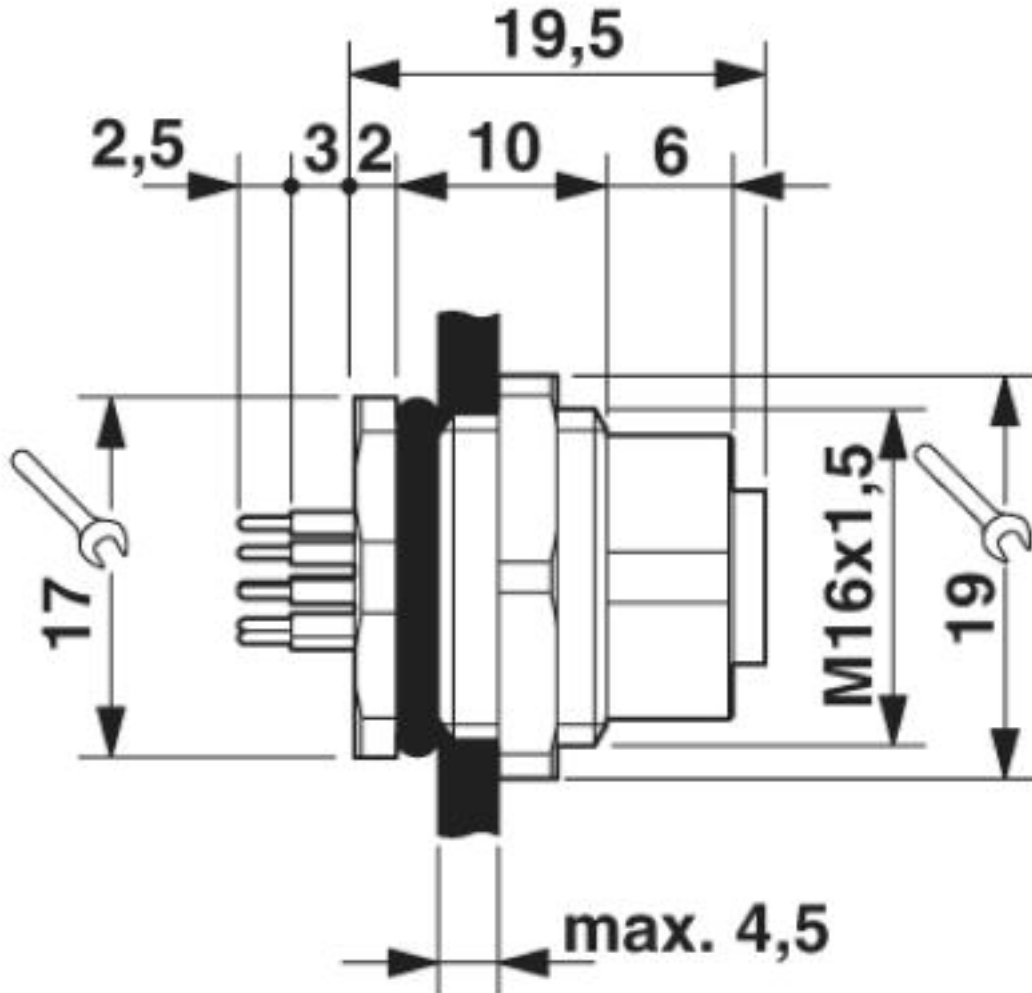
# Panel feed-through - SACC-DSI-M12FS-12CON-M16 - 1441833

Drilling diagram



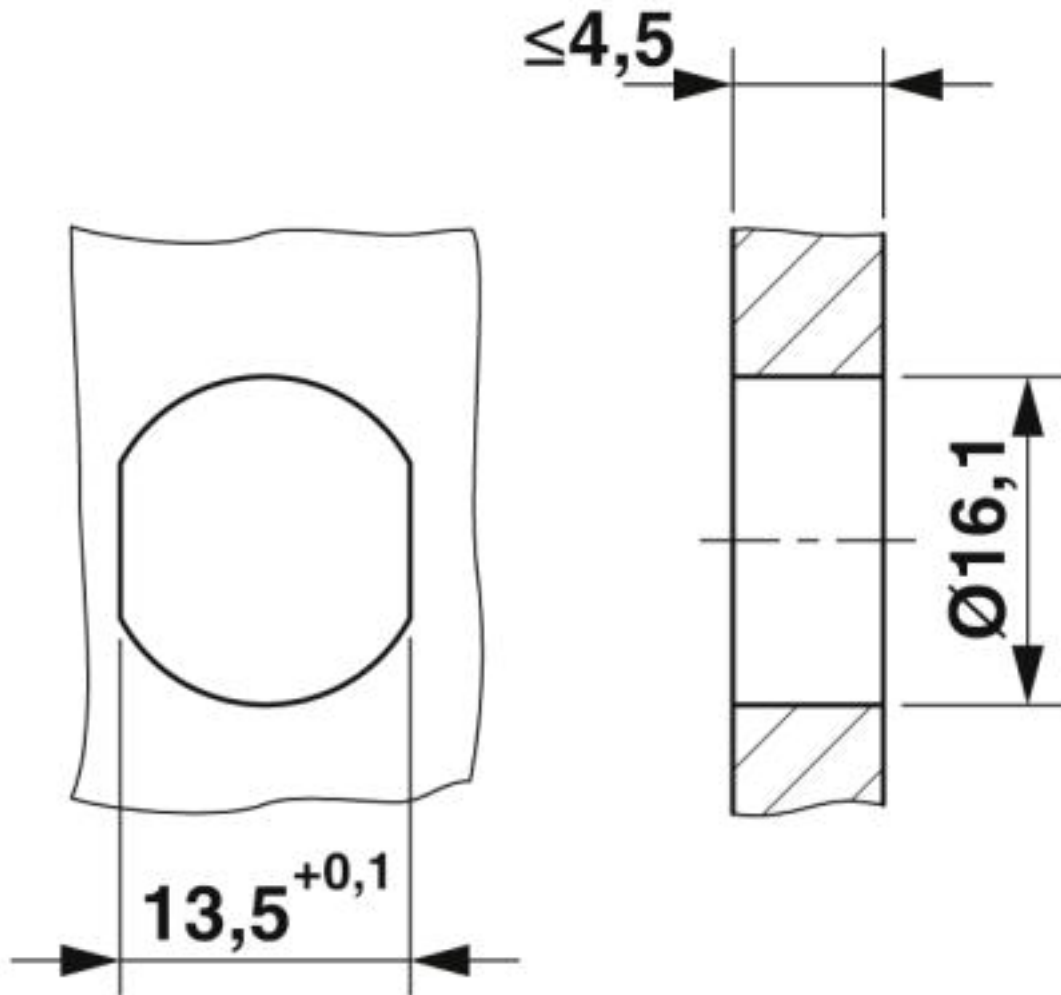
# Panel feed-through - SACC-DSI-M12FS-12CON-M16 - 1441833

Dimensional drawing



# Panel feed-through - SACC-DSI-M12FS-12CON-M16 - 1441833

Dimensional drawing



Housing cutout for M16 fastening thread, mounting panel with feed-through hole (alternatively with area as anti-rotation protection for panel thicknesses > 2 mm up to max. 4.5 mm)

## Approvals

Approvals

---

Approvals

UL Recognized / EAC / cULus Recognized

---


Ex Approvals


---


Approval details

# Panel feed-through - SACC-DSI-M12FS-12CON-M16 - 1441833

## Approvals

|                            |                                                                                   |                                                                                                                                                       |               |
|----------------------------|-----------------------------------------------------------------------------------|-------------------------------------------------------------------------------------------------------------------------------------------------------|---------------|
| UL Recognized              |  | <a href="http://database.ul.com/cgi-bin/XYV/template/LISEXT/1FRAME/index.htm">http://database.ul.com/cgi-bin/XYV/template/LISEXT/1FRAME/index.htm</a> | FILE E 118976 |
| Nominal voltage UN         |                                                                                   | 30 V                                                                                                                                                  |               |
| Nominal current IN         |                                                                                   | 1.5 A                                                                                                                                                 |               |
| mm <sup>2</sup> /AWG/kcmil |                                                                                   | 26                                                                                                                                                    |               |

|     |                                                                                   |         |
|-----|-----------------------------------------------------------------------------------|---------|
| EAC |  | B.01742 |
|-----|-----------------------------------------------------------------------------------|---------|

|                            |                                                                                   |                                                                                                                                                       |                  |
|----------------------------|-----------------------------------------------------------------------------------|-------------------------------------------------------------------------------------------------------------------------------------------------------|------------------|
| cULus Recognized           |  | <a href="http://database.ul.com/cgi-bin/XYV/template/LISEXT/1FRAME/index.htm">http://database.ul.com/cgi-bin/XYV/template/LISEXT/1FRAME/index.htm</a> | E221474-20140616 |
| Nominal voltage UN         |                                                                                   | 30 V                                                                                                                                                  |                  |
| Nominal current IN         |                                                                                   | 1.5 A                                                                                                                                                 |                  |
| mm <sup>2</sup> /AWG/kcmil |                                                                                   | 26                                                                                                                                                    |                  |

Phoenix Contact 2019 © - all rights reserved  
<http://www.phoenixcontact.com>

PHOENIX CONTACT GmbH & Co. KG  
Flachsmarktstr. 8  
32825 Blomberg  
Germany  
Tel. +49 5235 300  
Fax +49 5235 3 41200  
<http://www.phoenixcontact.com>