

**PLEASE CHECK WWW.MOLEX.COM FOR LATEST PART INFORMATION**

**Part Number:** [1301160017](#)  
**Status:** **Active**  
**Overview:** [Aero-Motive Box-Track Festoon Systems](#)  
**Description:** Value Plus Box Track for Flat Cable, Festoon End Clamp, 6.86mm (.270") Cable Height - Maximum

**Documents:**  
[RoHS Certificate of Compliance \(PDF\)](#)

**General**

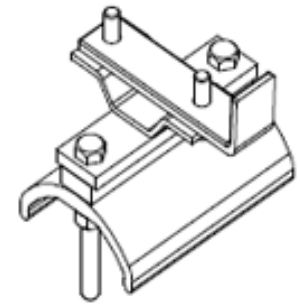
Product Family	Festoons
Series	<a href="#">130116</a>
Cable Height - Maximum	6.86mm (.270")
Cable Width - Maximum	57.91mm (2.280")
Combined Cable Weight-Max./Car	19.96kg (44.0 lb)
Component Type	End Clamp
Depth	80.77mm (3.180")
Duty	Standard - 12kg per Car
Exclude SD Check	Yes
Height	90.42mm (3.560")
Length	95.00mm (3.740")
Overview	<a href="#">Aero-Motive Box-Track Festoon Systems</a>
Product Name	Aero-Motive
Type	Box Track - Plus
UPC	78678862599

**Physical**

Material - Metal	Aluminum
Net Weight	185.972/g
Number of Cars	1
Packaging Type	Individual Carton
Saddle Radius	53.34mm (2.100")
Thread Size	N/A
Wire/Cable Type	Flat

**Material Info**

Engineering Number	42422
--------------------	-------



*Series image - Reference only*

**EU ELV**

**Not Relevant**

**EU RoHS**

**Not Reviewed**

**REACH SVHC**

Not Reviewed

**Halogen-Free**

**Status**

**Not Reviewed**

For more information, please visit [Contact US](#)

China ROHS

Not Reviewed

ELV

Not Relevant

RoHS Phthalates

Not Reviewed

**Search Parts in this Series**

[130116 Series](#)