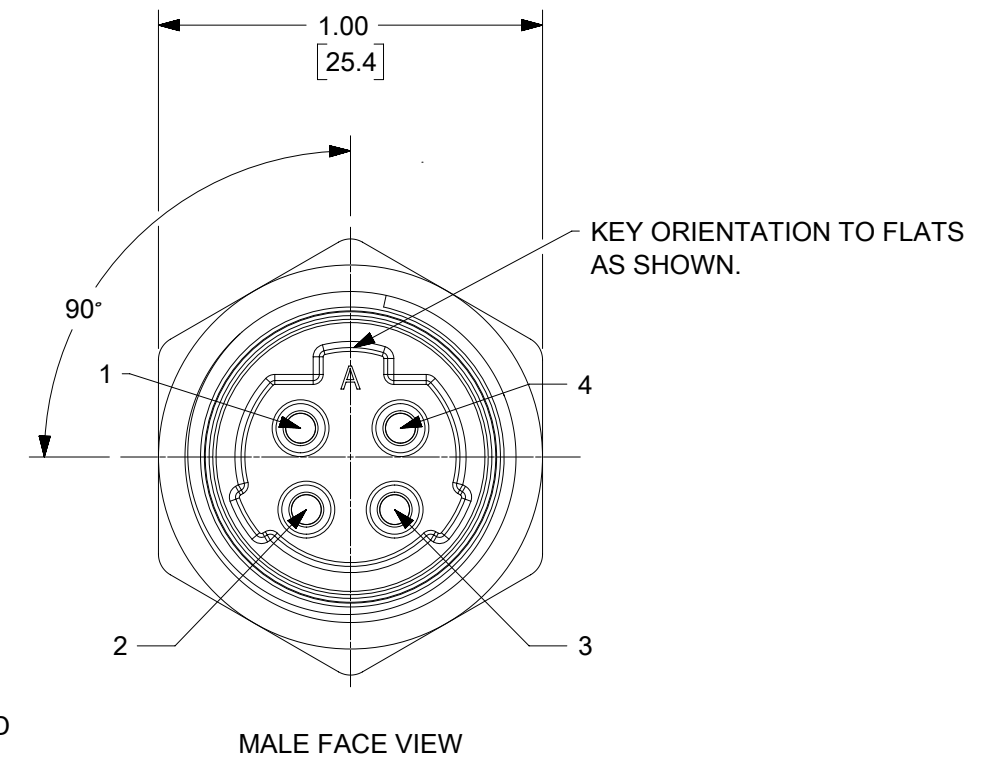
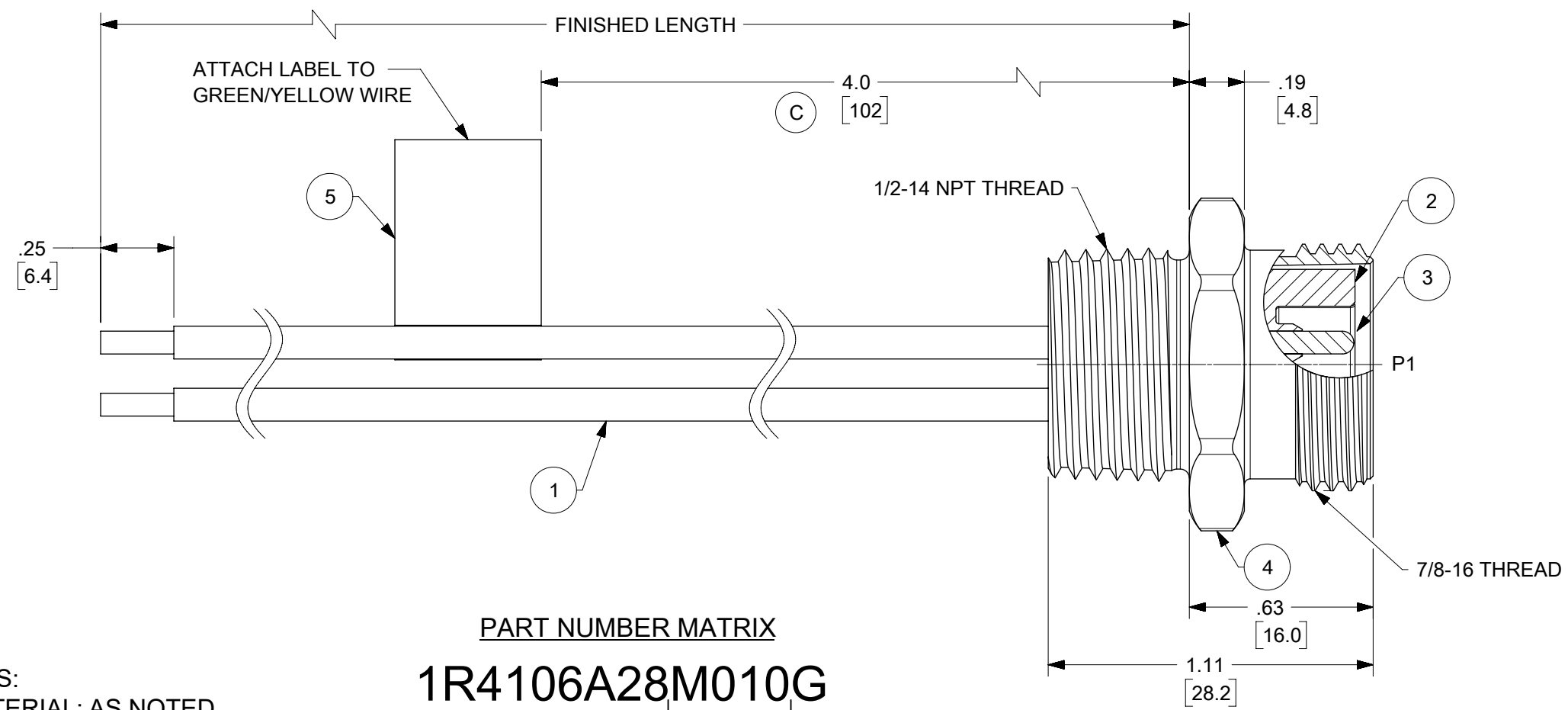


MATERIAL NO.	ENGINEERING NO.	FINISHED LENGTH
1300660283	1R4106A28M010G	3.28' +2.19"/-0 (1.0M +55.6mm/-0)
1300660287	1R4106A28M030G	9.84' +6.50"/-0 (3.0M +88.9mm/-0)



**PART NUMBER MATRIX**  
**1R4106A28M010G**

LENGTH  
M001 = .1 METERS  
M010 = 1.0 METERS  
M100 = 10 METERS

	P1
BLACK	1
WHITE	2
RED	3
GREEN/YELLOW	4

**WIRING DIAGRAM**

- NOTES:**
- MATERIAL: AS NOTED
  - FINISH: AS NOTED
  - ELECTRICAL:  
VOLTAGE: 483V PER IEC60664  
600V PER UL2237  
CURRENT: 15A
  - TEMP RATING: -25°C TO +80°C
  - PROTECTION: IP67 (WHEN MATED)
  - COUPLING THREAD: AS NOTED
  - UL LISTED FILE: E258922
  - ALL DIMS ARE FOR REFERENCE UNLESS TOLERANCED OR NOTED OTHERWISE

**CABLE LENGTH TOLERANCES**

>.3M [1FT]:	+19mm-0 [ +.75in-0]
.3 - .9M [1 - 3FT]:	+44.5mm-0 [+1.75in-0]
.9 - 1.8M [3 - 6FT]:	+55.6mm-0 [+2.19in-0]
1.8 - 3.7M [6 - 12FT]:	+88.9mm-0 [+3.50in-0]
3.7 - 7.3M [12 - 24FT]:	+165.1mm-0 [+6.50in-0]
7.3-14.6M [24 - 48FT]:	+317.5mm-0 [+12.50in-0]
14.6 - 30.5M [48-100FT]:	+622.3mm-0 [+24.50in-0]
OVER 30M [100FT]	+2% OF FINISHED LENGTH

ITEM	DESCRIPTION	MATERIAL	FINISH
5	FLAG LABEL	VINYL	BLACK/YELLOW
4	RECEPTACLE SHELL	ZINC ALLOY	BLACK
3	CONTACT PIN	COPPER ALLOY	GOLD PLATED
2	INSERT, 4P, ALT-KEY	TPE	BLACK
1	WIRE, 14 AWG, UL1015	PVC	SEE WIRE DIAGRAM

<b>SYMBOLS</b> ▽ = 0 ▽ = 0 ▽ = 0 ▽ = 0 ▽ = 0 ▽ = 0 ▽ = 0 ▽ = 0 ▽ = 0 ▽ = 0 ▽ = 0 ▽ = 0		THIS DRAWING CONTAINS INFORMATION THAT IS PROPRIETARY TO MOLEX ELECTRONIC TECHNOLOGIES, LLC AND SHOULD NOT BE USED WITHOUT WRITTEN PERMISSION <b>HYBRID</b> SCALE: 1:1 GENERAL TOLERANCES (UNLESS SPECIFIED) ANGULAR TOL ± 2.0° 4 PLACES ± 3 PLACES ± 2 PLACES ± 1 PLACE ± 0.3 0 PLACES ± DRAFT WHERE APPLICABLE MUST REMAIN WITHIN DIMENSIONS	CURRENT REV DESC: LABEL DIM WAS 7.00, WIRE WAS THHN, REV'D NOTES FOR UL & IEC EC NO: 624739 DRWN: RSTONE 2019/10/14 CHK'D: CCHRSTKA 2019/10/21 APPR: BWOODMAN 2019/10/31 INITIAL REVISION: DRWN: RSTONE 2012/03/29 APPR: JFMURPHY 2012/06/28	<b>molex</b> BRAD POWER MALE RECEPTACLE 4 POLE, 14 AWG TRI-KEY PRODUCT CUSTOMER DRAWING DOCUMENT NUMBER: SD-130066-067 DOC TYPE: PSD DOC PART: 001 REVISION: C MATERIAL NUMBER: SEE TABLE CUSTOMER: GENERAL MARKET SHEET NUMBER: 1 OF 1
--	--	---	---	---