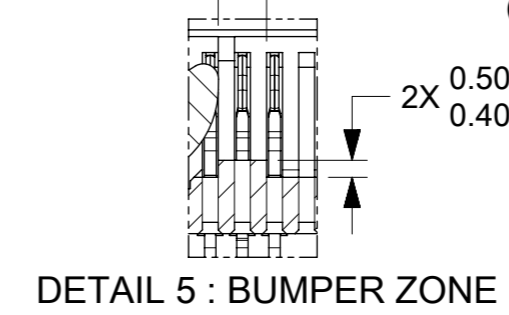
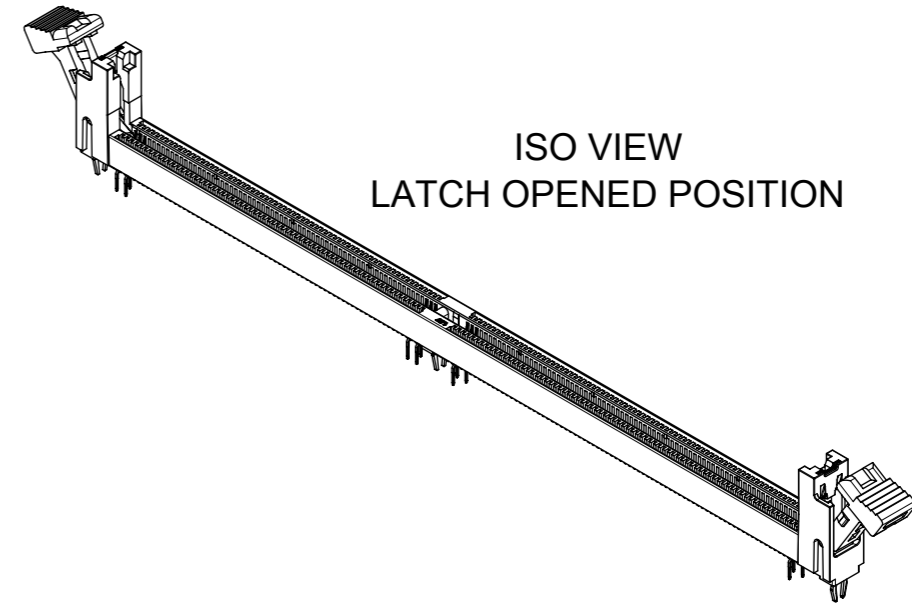
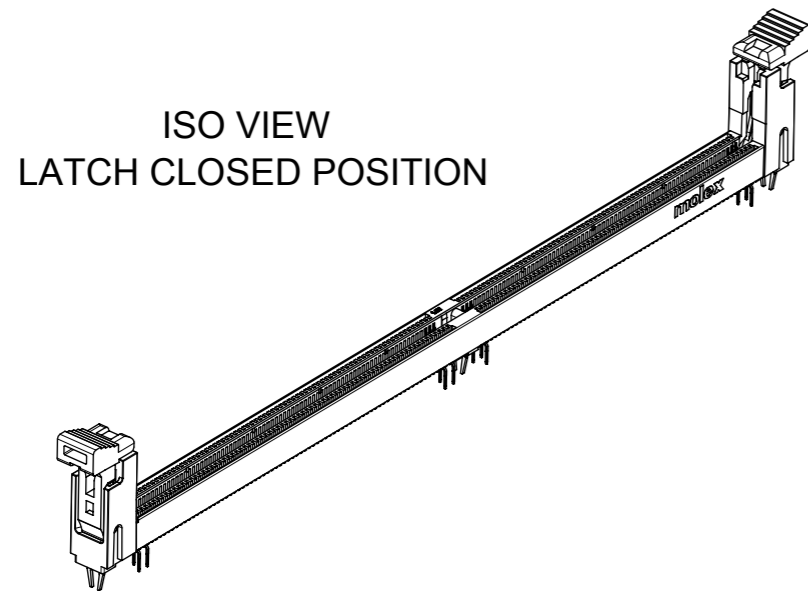
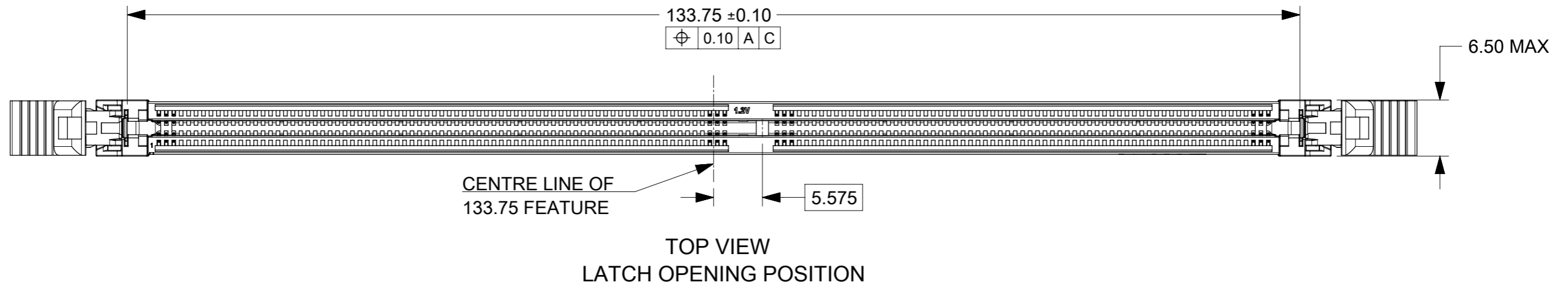


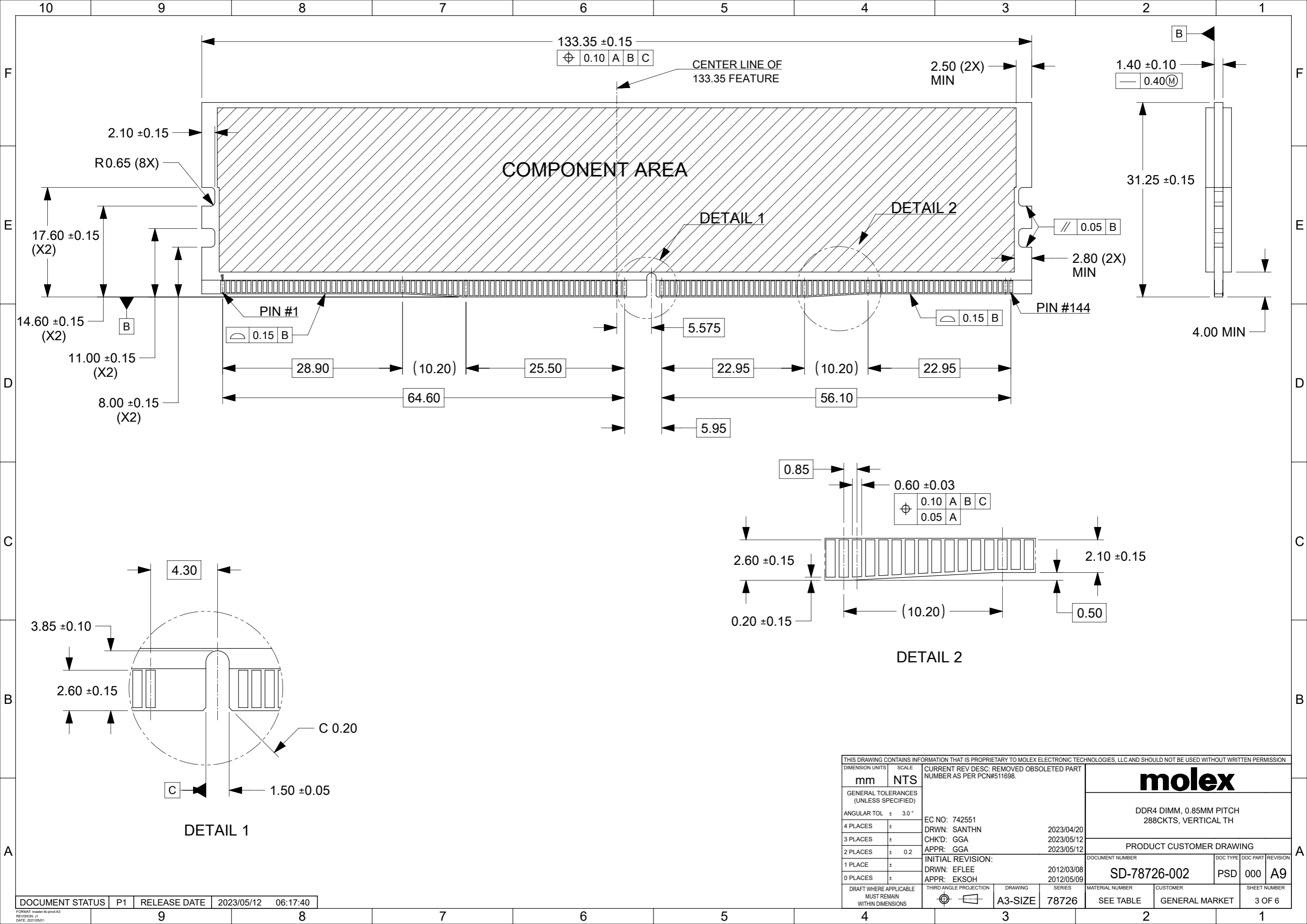
- NOTES:**
- MATERIAL : HOUSING - HALOGEN FREE HIGH TEMP POLYAMIDE, GLASS FILLED, UL94V-0.
COLOUR : SEE TABLE ON SHEET 5.
LATCH - HALOGEN FREE HIGH TEMP POLYAMIDE, GLASS FILLED, UL94V-0.
COLOUR : SEE TABLE ON SHEET 5.
TERMINAL : COPPER ALLOY.
FORKLOCK: COPPER ALLOY.
 - FINISHES - SEE TABLE ON SHEET 5.
 - PRODUCT SPECIFICATION : SEE TABLE ON SHEET 5.
 - PACKAGING SPECIFICATION: PRODUCT SHALL BE PACKED IN TRAY, SEE SHEET 5
 - CARD SLOT ACCEPTS 1.40±0.10MM MODULE THICKNESS (MEASURED OVER P.C. PADS).
- ⚠️ MOLEX LOGO, DATE & PART NO. INDICATED ON HOUSING.
 ⚠️ MODULE SEATING PLANE.
 ⚠️ KEEP OUT ZONE RESERVED FOR LATCH.
 ⚠️ KEEP OUT AREA IS THE AREA WHERE THE CONNECTOR (INCLUDES LATCHES IN OPENING POSITION) IS MOUNTED ON THE PCB.
 10.REFER TO AS-78726-001 FOR CONNECTOR APPLICATION GUIDELINE.
 11.REFER TO AS-78726-002 FOR PCB ROUTING RECOMMENDATIONS.



| | | | | | | | | | |
|---|--|-------------------------|--|---|--|----------------|--|----------------------------|--|
| THIS DRAWING CONTAINS INFORMATION THAT IS PROPRIETARY TO MOLEX ELECTRONIC TECHNOLOGIES, LLC AND SHOULD NOT BE USED WITHOUT WRITTEN PERMISSION | | | | | | | | | |
| DIMENSION UNITS | | SCALE | | CURRENT REV DESC: REMOVED OBSOLETE PART NUMBER AS PER PCN#511698. | | | | | |
| mm | | NTS | | <p>DDR4 DIMM, 0.85MM PITCH 288CKTS, VERTICAL TH</p> <p>PRODUCT CUSTOMER DRAWING</p> | | | | | |
| GENERAL TOLERANCES (UNLESS SPECIFIED) | | | | | | | | | |
| ANGULAR TOL ± 3.0° | | | | | | | | | |
| 4 PLACES ± | | EC NO: 742551 | | | | | | | |
| 3 PLACES ± | | DRWN: SANTHN 2023/04/20 | | | | | | | |
| 2 PLACES ± 0.2 | | CHK'D: GGA 2023/05/12 | | | | | | | |
| 1 PLACE ± | | APPR: GGA 2023/05/12 | | | | | | | |
| 0 PLACES ± | | INITIAL REVISION: | | | | | | | |
| DRAFT WHERE APPLICABLE MUST REMAIN WITHIN DIMENSIONS | | THIRD ANGLE PROJECTION | | DRAWING | | SERIES | | DOCUMENT NUMBER | |
| | | | | A3-SIZE | | 78726 | | SD-78726-002 | |
| | | | | MATERIAL NUMBER | | CUSTOMER | | DOC TYPE DOC PART REVISION | |
| | | | | SEE TABLE | | GENERAL MARKET | | PSD 000 A9 | |
| | | | | | | | | SHEET NUMBER | |
| | | | | | | | | 1 OF 6 | |



| | | | | | | | | | | |
|---|---------|---|---------|--------|-----------------|----------------|-----------------|----------|----------|----------|
| THIS DRAWING CONTAINS INFORMATION THAT IS PROPRIETARY TO MOLEX ELECTRONIC TECHNOLOGIES, LLC AND SHOULD NOT BE USED WITHOUT WRITTEN PERMISSION | | | | | | | | | | |
| DIMENSION UNITS | SCALE | CURRENT REV DESC: REMOVED OBSOLETE PART NUMBER AS PER PCN#511698. | | | | | | | | |
| mm | NTS | | | | | | | | | |
| GENERAL TOLERANCES (UNLESS SPECIFIED) | | | | | | | | | | |
| ANGULAR TOL | ± 3.0 ° | DDR4 DIMM, 0.85MM PITCH 288CKTS, VERTICAL TH | | | | | | | | |
| 4 PLACES | ± | | | | | | | | | |
| 3 PLACES | ± | PRODUCT CUSTOMER DRAWING | | | | | | | | |
| 2 PLACES | ± 0.2 | | | | | | | | | |
| 1 PLACE | ± | EC NO: 742551 DRWN: SANTHN 2023/04/20 CHK'D: GGA 2023/05/12 APPR: GGA 2023/05/12 | | | | | | | | |
| 0 PLACES | ± | | | | | | | | | |
| DRAFT WHERE APPLICABLE MUST REMAIN WITHIN DIMENSIONS | | THIRD ANGLE PROJECTION | DRAWING | SERIES | MATERIAL NUMBER | CUSTOMER | DOCUMENT NUMBER | DOC TYPE | DOC PART | REVISION |
| | | | A3-SIZE | 78726 | SEE TABLE | GENERAL MARKET | SD-78726-002 | PSD | 000 | A9 |



133.35 ± 0.15
 ⊕ 0.10 A B C

CENTER LINE OF
 133.35 FEATURE

2.50 (2X)
 MIN

1.40 ± 0.10
 — 0.40(M)

COMPONENT AREA

DETAIL 1

DETAIL 2

2.10 ± 0.15

R0.65 (8X)

17.60 ± 0.15
 (X2)

14.60 ± 0.15
 (X2)

11.00 ± 0.15
 (X2)

8.00 ± 0.15
 (X2)

PIN #1

0.15 B

28.90

(10.20)

25.50

64.60

5.575

22.95

(10.20)

22.95

56.10

5.95

0.15 B

PIN #144

0.05 B

2.80 (2X)
 MIN

4.00 MIN

31.25 ± 0.15

0.85

0.60 ± 0.03

⊕ 0.10 A B C
 0.05 A

2.60 ± 0.15

2.10 ± 0.15

0.20 ± 0.15

(10.20)

0.50

DETAIL 2

4.30

3.85 ± 0.10

2.60 ± 0.15

C 0.20

C

1.50 ± 0.05

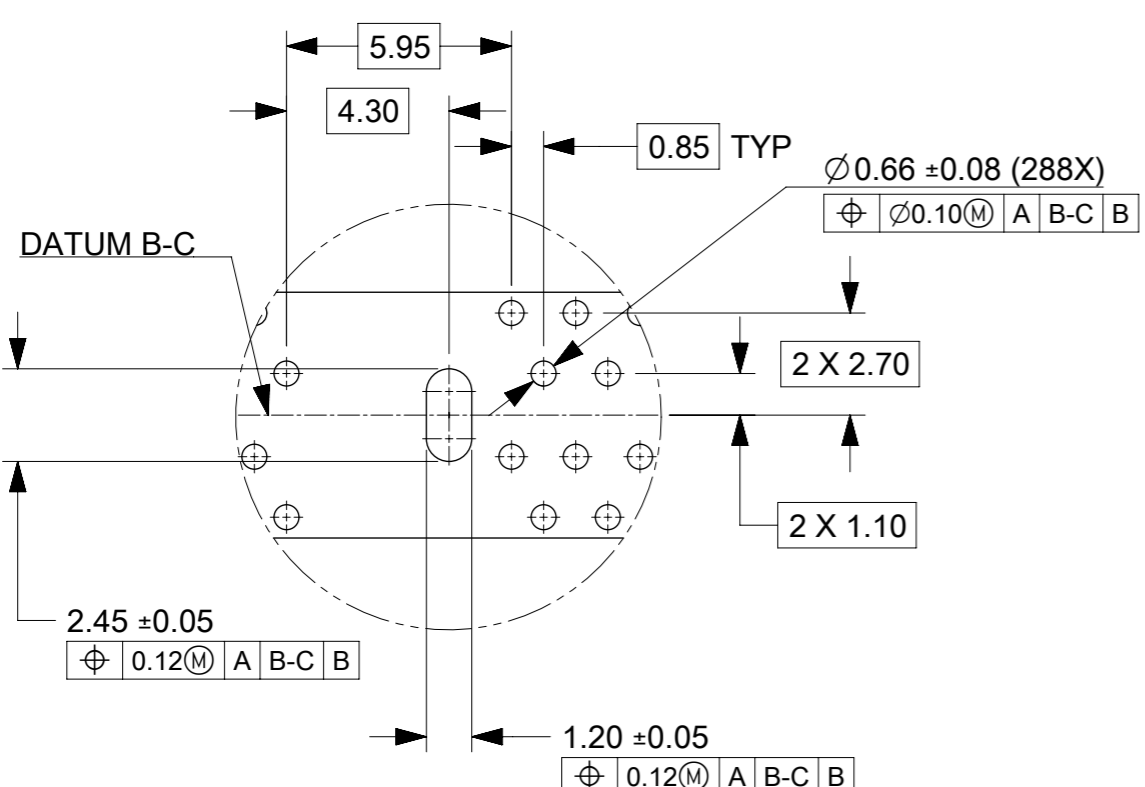
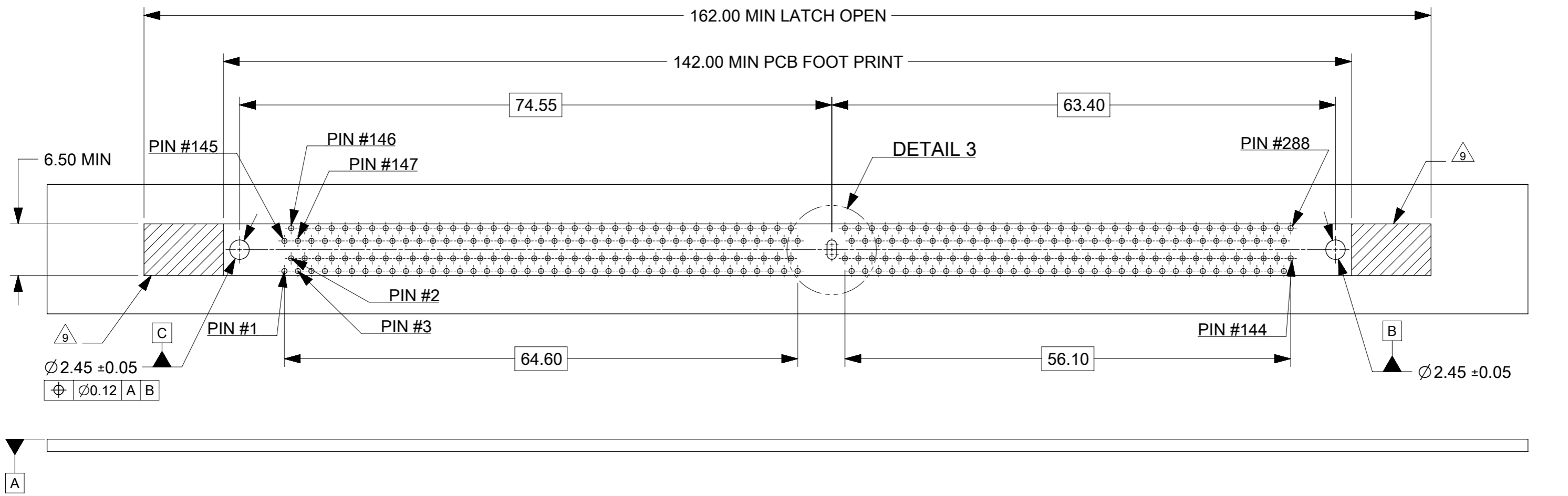
DETAIL 1

THIS DRAWING CONTAINS INFORMATION THAT IS PROPRIETARY TO MOLEX ELECTRONIC TECHNOLOGIES, LLC AND SHOULD NOT BE USED WITHOUT WRITTEN PERMISSION

| | | | | | |
|--|--------------|---|--|----------------------------|--|
| DIMENSION UNITS mm | SCALE NTS | CURRENT REV DESC: REMOVED OBSOLETE PART NUMBER AS PER PCN#511698. | | | |
| GENERAL TOLERANCES (UNLESS SPECIFIED) | | EC NO: 742551 | | | |
| ANGULAR TOL | ± 3.0 ° | DRWN: SANTHN 2023/04/20 | | PRODUCT CUSTOMER DRAWING | |
| 4 PLACES | ± | CHK'D: GGA 2023/05/12 | | DOCUMENT NUMBER | |
| 3 PLACES | ± | APPR: GGA 2023/05/12 | | SD-78726-002 | |
| 2 PLACES | ± 0.2 | INITIAL REVISION: | | DOC TYPE | |
| 1 PLACE | ± | DRWN: EFLEE 2012/03/08 | | PSD | |
| 0 PLACES | ± | APPR: EKSOH 2012/05/09 | | DOC PART | |
| DRAFT WHERE APPLICABLE MUST REMAIN WITHIN DIMENSIONS | | THIRD ANGLE PROJECTION | | REVISION | |
| | | DRAWING A3-SIZE | | 000 A9 | |
| | | SERIES 78726 | | SHEET NUMBER 3 OF 6 | |
| | | MATERIAL NUMBER SEE TABLE | | CUSTOMER GENERAL MARKET | |

DOCUMENT STATUS | P1 | RELEASE DATE | 2023/05/12 06:17:40

FORMAT: master-b-prod-A3
 REVISION: 11
 DATE: 2021/05/01



DETAIL 3

| | | | | | | | | | |
|---|--|------------------------|--|---|--|----------------|--|----------------------------|--|
| THIS DRAWING CONTAINS INFORMATION THAT IS PROPRIETARY TO MOLEX ELECTRONIC TECHNOLOGIES, LLC AND SHOULD NOT BE USED WITHOUT WRITTEN PERMISSION | | | | | | | | | |
| DIMENSION UNITS | | SCALE | | CURRENT REV DESC: REMOVED OBSOLETE PART NUMBER AS PER PCN#511698. | | | | | |
| mm | | NTS | | DDR4 DIMM, 0.85MM PITCH 288CKTS, VERTICAL TH | | | | | |
| GENERAL TOLERANCES (UNLESS SPECIFIED) | | | | | | | | | |
| ANGULAR TOL | | ± 3.0 ° | | PRODUCT CUSTOMER DRAWING | | | | | |
| 4 PLACES | | ± | | EC NO: 742551 | | 2023/04/20 | | DOCUMENT NUMBER | |
| 3 PLACES | | ± | | DRWN: SANTHN | | 2023/05/12 | | SD-78726-002 | |
| 2 PLACES | | ± 0.2 | | CHK'D: GGA | | 2023/05/12 | | DOC TYPE DOC PART REVISION | |
| 1 PLACE | | ± | | APPR: GGA | | 2023/05/12 | | PSD 000 A9 | |
| 0 PLACES | | ± | | INITIAL REVISION: | | | | | |
| DRAFT WHERE APPLICABLE MUST REMAIN WITHIN DIMENSIONS | | THIRD ANGLE PROJECTION | | DRAWING | | SERIES | | MATERIAL NUMBER | |
| | | | | A3-SIZE | | 78726 | | SEE TABLE | |
| | | | | CUSTOMER | | GENERAL MARKET | | SHEET NUMBER | |
| | | | | | | | | 4 OF 6 | |

F
E
D
C
B
A

| CKT SIZE | ASSEMBLY PART NO. | HOUSING COLOR | LATCH COLOR | DIM "P" | RECOMMENDED PCB THICKNESS | PLATING OPTION | | PRODUCT SPEC. NO. | PACKAGING SPEC. NO. |
|------------|-------------------|---------------|-------------|---------|---------------------------|--|--|-------------------|---------------------|
| | | | | | | TERMINAL | FORKLOCK | | |
| 288 | 78726-1051 | BLACK | BLACK | 2.10 | 1.57 | 0.76 MICROMETER (30 MICROINCH) MIN GOLD ON CONTACT | 1 MICROMETER (40 MICROINCH) MIN TIN OVERALL (PRE-PLATED) | PS-78726-001 | PK-78726-001 |
| | 78726-1039 | | | 2.40 | 1.57 | | | | |
| | 78726-1002 | | | 2.67 | 1.57 | | | | |
| | 78726-1003 | | | 3.18 | 2.36 | | | | |
| | 78726-1026 | | | 3.50 | 3.00 | | | | |
| | 78726-1040 | BLACK | WHITE | 2.40 | 1.57 | | | | |
| | 78726-1004 | | | 2.67 | 1.57 | | | | |
| | 78726-1005 | | | 3.18 | 2.36 | | | | |
| | 78726-1041 | WHITE | BLACK | 2.40 | 1.57 | | | | |
| | 78726-1054 | WHITE | WHITE | 2.10 | 1.57 | | | | |
| | 78726-1042 | | | 2.40 | 1.57 | | | | |
| | 78726-1029 | | | 3.50 | 3.00 | | | | |
| | 78726-1055 | | | 2.10 | 1.57 | | | | |
| | 78726-1043 | BLUE | BLUE | 2.40 | 1.57 | | | | |
| | 78726-1010 | | | 2.67 | 1.57 | | | | |
| | 78726-1011 | | | 3.18 | 2.36 | | | | |
| | 78726-1030 | | | 3.50 | 3.00 | | | | |
| | 78726-1023 | | | BLUE | WHITE | | | | 3.18 |
| | 78726-1064 | YELLOW | WHITE | 2.40 | 1.57 | | | | |
| | 78726-0081 | BLACK | BLACK | 3.18 | 2.36 | | | | |
| 78726-3005 | WHITE | | | 3.18 | 2.36 | | | | |
| 78726-3052 | | | | 2.10 | 1.57 | | | | |
| 78726-4039 | | | | BLACK | 2.40 | 1.57 | | | |
| 78726-4040 | | | | WHITE | 2.40 | 1.57 | | | |

THIS DRAWING CONTAINS INFORMATION THAT IS PROPRIETARY TO MOLEX ELECTRONIC TECHNOLOGIES, LLC AND SHOULD NOT BE USED WITHOUT WRITTEN PERMISSION

| | | | | | |
|--|---------|---|---|--------|--------------|
| DIMENSION UNITS | SCALE | CURRENT REV DESC: REMOVED OBSOLETE PART NUMBER AS PER PCN#511698. | molex | | |
| mm | NTS | | | | |
| GENERAL TOLERANCES (UNLESS SPECIFIED) | | EC NO: 742551 DRWN: SANTHN 2023/04/20 CHK'D: GGA 2023/05/12 APPR: GGA 2023/05/12 | DDR4 DIMM, 0.85MM PITCH 288CKTS, VERTICAL TH | | |
| ANGULAR TOL | ± 3.0 ° | | PRODUCT CUSTOMER DRAWING | | |
| 4 PLACES | ± | | DOCUMENT NUMBER | | |
| 3 PLACES | ± | | SD-78726-002 | | |
| 2 PLACES | ± 0.2 | | DOC TYPE | | |
| 1 PLACE | ± | | PSD | | |
| 0 PLACES | ± | DOC PART | | | |
| DRAFT WHERE APPLICABLE MUST REMAIN WITHIN DIMENSIONS | | THIRD ANGLE PROJECTION | DRAWING | SERIES | SHEET NUMBER |
| | | | A3-SIZE | 78726 | 5 OF 6 |

| CKT SIZE | ASSEMBLY PART NO. | HOUSING COLOR | LATCH COLOR | DIM "P" | RECOMMENDED PCB THICKNESS | PLATING OPTION | | PRODUCT SPEC. NO. | PACKAGING SPEC. NO. |
|------------|-------------------|---------------|-------------|---------|---------------------------|--|--|-------------------|---------------------|
| | | | | | | TERMINAL | FORKLOCK | | |
| 288 | 78726-1045 | BLACK | BLACK | 2.40 | 1.57 | 0.38 MICROMETER (15 MICROINCH) MIN GOLD ON CONTACT | 1 MICROMETER (40 MICROINCH) MIN TIN OVERALL (PRE-PLATED) | PS-78726-002 | PK-78726-001 |
| | 78726-1012 | | | 2.67 | 1.57 | | | | |
| | 78726-1013 | | | 3.18 | 2.36 | | | | |
| | 78726-1032 | | | 3.50 | 3.00 | | | | |
| | 78726-1046 | BLACK | WHITE | 2.40 | 1.57 | | | | |
| | 78726-1033 | | | 3.50 | 3.00 | | | | |
| | 78726-1059 | WHITE | BLACK | 2.10 | 1.57 | | | | |
| | 78726-1047 | | | 2.40 | 1.57 | | | | |
| | 78726-1048 | WHITE | WHITE | 2.40 | 1.57 | | | | |
| | 78726-1018 | | | 2.67 | 1.57 | | | | |
| | 78726-1035 | | | 3.50 | 3.00 | | | | |
| | 78726-1049 | | | 2.40 | 1.57 | | | | |
| | 78726-1020 | BLUE | BLUE | 2.67 | 1.57 | | | | |
| | 78726-1021 | | | 3.18 | 2.36 | | | | |
| | 78726-1036 | BLUE | WHITE | 3.50 | 3.00 | | | | |
| | 78726-1050 | | | 2.40 | 1.57 | | | | |
| | 78726-1037 | | | 3.50 | 3.00 | | | | |
| | 78726-1072 | | | 3.50 | 3.00 | | | | |
| | 78726-3012 | BLACK | BLACK | 2.67 | 1.57 | | | | |
| | 78726-3032 | | | 3.50 | 3.00 | | | | |
| 78726-3020 | BLUE | BLUE | 2.67 | 1.57 | | | | | |
| 78726-3036 | | | 3.50 | 3.00 | | | | | |
| | | | | | | | | | 787260003 |

THIS DRAWING CONTAINS INFORMATION THAT IS PROPRIETARY TO MOLEX ELECTRONIC TECHNOLOGIES, LLC AND SHOULD NOT BE USED WITHOUT WRITTEN PERMISSION

| | | | | | |
|--|---------|---|---|-----------------|----------------|
| DIMENSION UNITS | SCALE | CURRENT REV DESC: REMOVED OBSOLETE PART NUMBER AS PER PCN#511698. | molex | | |
| mm | NTS | | | | |
| GENERAL TOLERANCES (UNLESS SPECIFIED) | | EC NO: 742551 DRWN: SANTHN 2023/04/20 CHK'D: GGA 2023/05/12 APPR: GGA 2023/05/12 | DDR4 DIMM, 0.85MM PITCH 288CKTS, VERTICAL TH | | |
| ANGULAR TOL | ± 3.0 ° | | PRODUCT CUSTOMER DRAWING | | |
| 4 PLACES | ± | | DOCUMENT NUMBER | | |
| 3 PLACES | ± | | SD-78726-002 | | |
| 2 PLACES | ± 0.2 | | DOC TYPE | | |
| 1 PLACE | ± | | PSD | | |
| 0 PLACES | ± | DOC PART | | | |
| DRAFT WHERE APPLICABLE MUST REMAIN WITHIN DIMENSIONS | | THIRD ANGLE PROJECTION | | DRAWING | SHEET NUMBER |
| | | | | A3-SIZE | 6 OF 6 |
| | | SERIES | | MATERIAL NUMBER | CUSTOMER |
| | | 78726 | | SEE TABLE | GENERAL MARKET |
| | | INITIAL REVISION: | | REVISION | |
| | | DRWN: EFLEE 2012/03/08 APPR: EKSOH 2012/05/09 | | 000 | A9 |