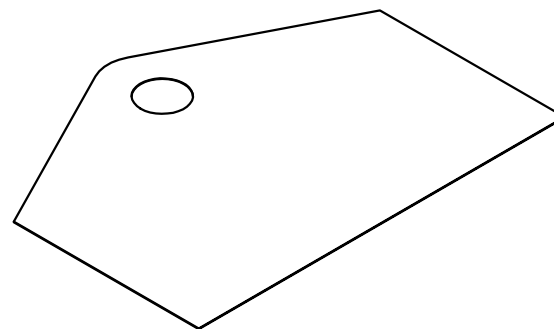
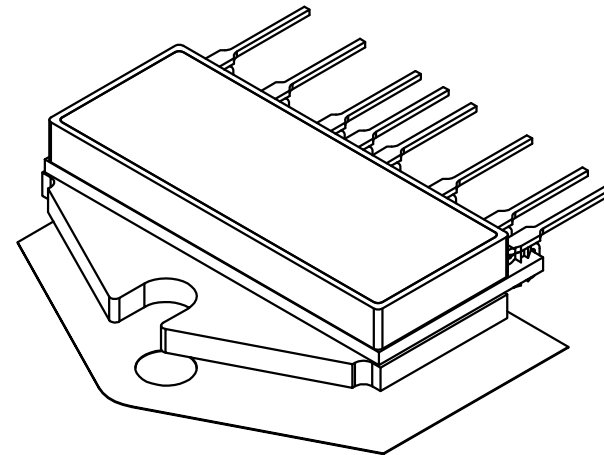
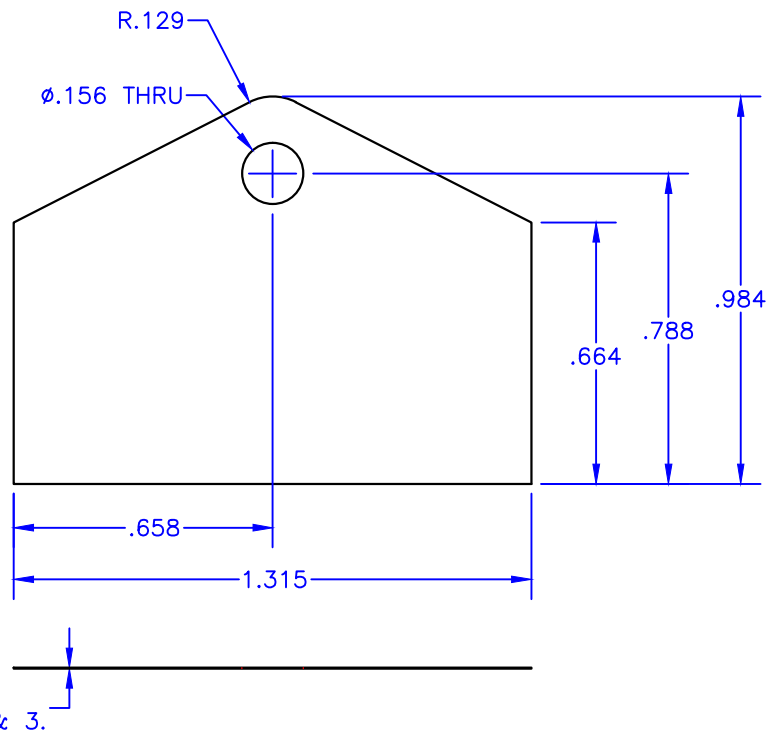


4

3

2

1


 $^{\circ}\text{C}/\text{W}-\text{in}^2$
NOTES:

1. Unless otherwise noted, all dimensions are in inches.
2. Film Material: .002 thick Kapton[®] MT
Dielectric strength - 5200 VAC/mil
3. Interface Material: .0005 thick phase-change thermal compound, both sides.
Maximum shipping & storage temperature - 40°C
Reflow temperature - 60°C
Maximum recommended service temperature - 200°C
4. Thermal impedance: .201 °C/W-in² (1.30 °C/W-cm²) @ 20psi
5. Used with SIP packages (Apex designators: DQ & DR).

TOLERANCES - UNLESS OTHERWISE SPECIFIED

.XX = ±.01 [.254]
.XXX = ±.005 [.127]
ANG. = ±5°



TITLE: THERMAL WASHER, SIP

SUBJECT: MECHANICAL DRAWING

ENGINEER: K.GOPP

DRAWN BY: J.FAY

DCA: 16270

SPL 1 OF 1

MODEL:

TW13

FILENAME: TW13

REV: H

DATE: 11JUL16

4

3

2

1

D

D

C

C

B

B

A

A