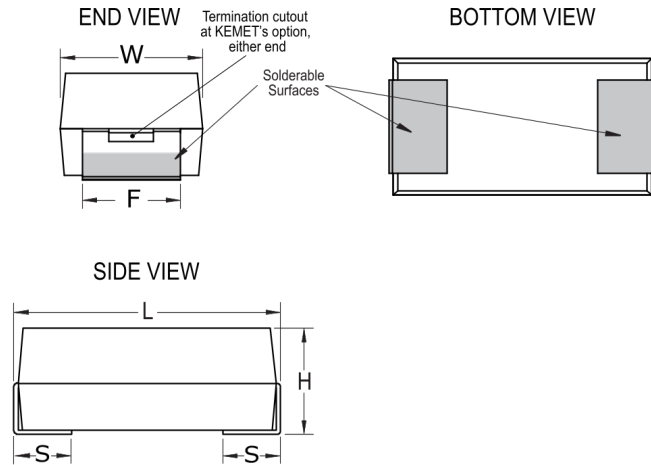


## T493D476K025CB6420

Aliases (DLA Drawing 07016-130KCBC)

T493 HRA, Tantalum, MnO2 Tantalum, HRA, 47 uF, 10%, 25 VDC, SMD, MnO2, Molded, DLA Drawing, C (0.01%/1000 Hrs), 200 mOhms, 7343, Height Max = 3.1mm



Click [here](#) for the 3D model.

| Dimensions |                |
|------------|----------------|
| Footprint  | 7343           |
| L          | 7.3mm +/-0.3mm |
| W          | 4.3mm +/-0.3mm |
| H          | 2.8mm +/-0.3mm |
| S          | 1.3mm +/-0.3mm |
| F          | 2.4mm +/-0.1mm |

| Packaging Specifications |            |
|--------------------------|------------|
| Packaging                | T&R, 178mm |
| Packaging Quantity       | 500        |

| General Information |                                |
|---------------------|--------------------------------|
| Series              | T493 HRA                       |
| Dielectric          | MnO2 Tantalum                  |
| Style               | SMD Chip                       |
| Description         | SMD, MnO2, Molded, DLA Drawing |
| RoHS                | Yes                            |
| Termination         | Gold                           |
| AEC-Q200            | No                             |
| Component Weight    | 412.33 mg                      |

| Specifications          |                                                                 |
|-------------------------|-----------------------------------------------------------------|
| Capacitance             | 47 uF                                                           |
| Capacitance Tolerance   | 10%                                                             |
| Voltage DC              | 25 VDC (85C), 16.75 VDC (125C)                                  |
| Temperature Range       | -55/+125°C                                                      |
| Rated Temperature       | 85°C                                                            |
| Dissipation Factor      | 6% 120Hz 25C                                                    |
| Failure Rate            | C (0.01%/1000 Hrs)                                              |
| Resistance              | 0.2 Ohms (100kHz 25C)                                           |
| Ripple Current          | 775 mA (rms, 100kHz 25C)                                        |
| Leakage Current         | 11.8 uA (5min 25°C)                                             |
| Testing and Reliability | 10 Cycles Surge Current Testing At -55C And +85C Before Weibull |