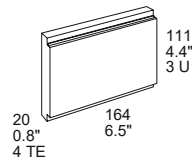




HP Series 120 - 192 Watt 10:1 DC-DC Converters



These extremely compact DC-DC converters incorporate all necessary input and output filters, signaling and protection features, which are required in the majority of applications.

The converters provide important advantages, such as flexible output power through total current limitation, extremely high efficiency, excellent reliability, very low ripple and RFI noise levels, full input-to-output isolation, negligible inrush current, soft start, over temperature protection, interruption time, and input over- and undervoltage lockout.

Features

- Extremely wide input voltage range from 12.5 to 154 VDC in the same model
- RoHS-compliant
- 5 year warranty
- Class I equipment
- Compliant with EN 50155, EN 50121-3-2, and IEC/EN 61000-4-2, -3, -4, -5, -6, -8
- Fire&smoke: Compliant with EN 45545-2
- Input over- and programmable undervoltage lockout including inhibit function
- Low inrush current
- 10 ms interruption time
- 1 to 4 independent, isolated outputs: no load, overload, and short-circuit proof
- Rectangular current limiting characteristic
- Redundant operation (n+1), sense lines, active current sharing option, output voltage adjust
- Hipot test voltage 2.8 kVDC
- Very high reliability and efficiency up to 92.5 %
- All PCB boards protected by lacquer
- Extremely slim case (4 TE, 20 mm), fully enclosed

Safety-approved to IEC/EN 62368-1 3rd edition and UL/CSA 62368-1 3rd edition.



Table of Contents

| | |
|-----------------------------|----|
| Description..... | 2 |
| Model Selection..... | 2 |
| Functional Description..... | 5 |
| Electrical Input Data..... | 8 |
| Electrical Output Data..... | 11 |
| Auxiliary Functions..... | 18 |

| | |
|---|----|
| Electromagnetic Compatibility (EMC)..... | 20 |
| Immunity to Environmental Conditions..... | 22 |
| Mechanical Data..... | 24 |
| Safety and Installation Instructions..... | 25 |
| Description of Options..... | 27 |
| Accessories..... | 28 |

Description

The converters are particularly suitable for rugged environments, such as railway applications. They have been designed in accordance with the European railway standards EN 50155 and EN 50121-3-2. All printed circuit boards are coated with a protective lacquer. The converter covers a total input voltage range from 12.5 to 154 VDC in the same model. The input is protected against surges and transients occurring on the source lines. The outputs are continuously open- and short-circuit proof.

Full system flexibility and n+1 redundant operating mode are possible due to series or parallel connection capabilities of the outputs under the specified conditions. When several converters with T option are connected in parallel, a single-wire connection between these converters ensures good current sharing. LEDs at the front panel and an isolated output OK signal indicate the status of the converter. Voltage suppressor diodes and an independent overvoltage monitor protect the outputs against an internally generated overvoltage.

The converters are designed using transformers with planar technology. The input voltage is fed to a booster, which generates approximately 70 V. If V_i is higher, the booster becomes simply a diode. The resulting intermediate voltage supplies the powertrains.

There are two powertrains fitted to a converter, each consisting either of a regulated single output with synchronous rectifier or of a regulated main output with a tracking second output. The output power may be flexibly distributed among the main and the tracking output of each powertrain. Close magnetic coupling in the transformers and output inductors together with circuit symmetry ensure a small deviation between main and tracking output.

A storage capacitor charged to approx. 70 V enables the powertrains to operate during the specified interruption time.

As part of a distributed power supply system, the low-profile design significantly reduces the required volume without sacrificing high reliability. The converters are particularly suitable for 19" rack systems occupying 3 U / 4 TE only, but they can also be chassis-mounted by screws or fitted with a heat sink. The connector type is H15. The fully enclosed black-coated aluminum case acts as heat sink and RFI shield, such protecting the converter together with the coating of all components against environmental impacts.

Model Selection

Note: Only standard models are listed. Other voltage configurations are possible on request.

Table 1: Model Selection

| Output 1, 4 | | | Output 2, 3 | | | Input voltage | | | Efficiency | | | | Model | Options |
|---------------------|----------------------------------|---------------------------------|---------------------|----------------------------------|---------------------------------|----------------------------------|----------------------|----------------------------------|--------------------------|------------|---------------------------|------------|--|--------------------------|
| $V_{o\ nom}$ [V] | $P_{o\ nom}$ ⁵ [W] | $P_{o\ 50}$ ⁶ [W] | $V_{o\ nom}$ [V] | $P_{o\ nom}$ ⁵ [W] | $P_{o\ 50}$ ⁶ [W] | $V_{o\ min}$ ³ [V] | $V_{o\ cont}$ [V] | $V_{o\ max}$ ³ [V] | η_{24} ¹ | | η_{110} ² | | | |
| | | | | | | | | | min [%] | typ [%] | min [%] | typ [%] | | |
| 5.1 | 122 | 184 | - | - | - | | | | | 89 | | 90.5 | HP1001-9RTG HP1301-9RTG HP1501-9RTG HP1601-9RTG | U, V, B |
| 12 | 122 | 192 | - | - | - | 12.5 | 16.8 - 137.5 | 154 | 86.5 | 91 | 87 | 92.5 | | |
| 15 | 122 | 192 | - | - | - | | | | | 89.5 | | 91 | | |
| 24 | 122 | 192 | - | - | - | | | | | 89 | | 90 | | |
| 5.1 | 61 | 92 | 5.1 | 61 | 92 | | | | | 89 | | 90.5 | HP2001-9RG HP2020-9RG HP2040-9RG HP2320-9RG HP2540-9RG | U, V, T ⁷ , B |
| 5.1 | 61 | 92 | 12 | 61 | 96 | 12.5 | 16.8 - 137.5 | 154 | 86.5 | 90 | 87 | 91.5 | | |
| 5.1 | 61 | 92 | 15 | 61 | 96 | | | | | 89.5 | | 91 | | |
| 12 | 61 | 96 | 12 | 61 | 96 | | | | | 91 | | 92.5 | | |
| 15 | 61 | 96 | 15 | 61 | 96 | | | | | 89.5 | | 91 | | |
| 24 | 60 | 96 | 24 | 60 | 96 | 12.5 | 16.8 - 137.5 | 154 | 86.5 | 88 | 87 | 89.5 | HP2660-9RG | U, V, B |
| 5.1 | 61 | 92 | 12, 12 ⁴ | 60 | 96 | | | | | 88.5 | | 90 | HP3020-9RG HP3040-9RG HP3060-9RG | U, V, T ⁷ , B |
| 5.1 | 61 | 92 | 15, 15 ⁴ | 60 | 96 | 12.5 | 16.8 - 137.5 | 154 | 86.5 | 88 | 87 | 90 | | |
| 5.1 | 61 | 92 | 24, 24 ⁴ | 60 | 96 | | | | | 89 | | 90 | | |
| 12, 12 ⁴ | 60 | 96 | 12, 12 ⁴ | 60 | 96 | | | | | 88 | | 90 | HP4320-9RG HP4540-9RG HP4560-9RG HP4660-9RG | U, V, B |
| 15, 15 ⁴ | 60 | 96 | 15, 15 ⁴ | 60 | 96 | 12.5 | 16.8 - 137.5 | 154 | 86.5 | 88 | 87 | 89.5 | | |
| 15, 15 ⁴ | 60 | 96 | 24, 24 ⁴ | 60 | 96 | | | | | 88 | | 89.5 | | |
| 24, 24 ⁴ | 60 | 96 | 24, 24 ⁴ | 60 | 96 | | | | | 88 | | 89.5 | | |

¹ Efficiency at $T_A = 25\ ^\circ\text{C}$, $V_i = 24\ \text{V}$, $I_{o\ nom}$, $V_{o\ nom}$

² Efficiency at $T_A = 25\ ^\circ\text{C}$, $V_i = 110\ \text{V}$, $I_{o\ nom}$, $V_{o\ nom}$

³ Short time; see table 2 for details!

⁴ Isolated tracking output

⁵ $P_{o\ nom}$ is specified at $T_{amb} = 70\ ^\circ\text{C}$

⁶ $P_{o\ 50}$ is specified at $T_{amb} = 50\ ^\circ\text{C}$ and $V_i = \geq 22\ \text{V}$. For $V_i = \leq 22$, only 90% of $P_{o\ 50}$ are continuously possible

⁷ T replaces R

Part Number Description

| | H | P | 4 | 6 | 60 | -9 | R | B1 | G |
|---|---|---|---|---|------|----|------------|----|------------------|
| Continuous operating input voltage V_i : | | | | | | | | | |
| 16.8 to 137.5 VDC | H | | | | | | | | |
| Series | | P | | | | | | | |
| Number of outputs: | | | | | | | | | |
| Single output (160 mm case) ⁴ | | | 1 | | | | | | |
| Double output (160 mm case) ⁴ | | | 2 | | | | | | |
| Triple output (160 mm case) ⁴ | | | 3 | | | | | | |
| Quadruple output (160 mm case) ⁴ | | | 4 | | | | | | |
| Nominal voltage output 1/output 4, $V_{o1/4 \text{ nom}}$: | | | | | | | | | |
| 5.1 V | | | | | 0 | | | | |
| 12 V | | | | | 3 | | | | |
| 15 V | | | | | 5 | | | | |
| 24 V | | | | | 6 | | | | |
| other voltages ¹ | | | | | 7, 8 | | | | |
| Other specifications and additional features ¹ | | | | | | | 01, ... 99 | | |
| Nominal voltage output 2/output 3, $V_{o2/3 \text{ nom}}$: | | | | | | | | | |
| 5.1 V | | | | | | | 01 | | |
| 12 V | | | | | | | 20 | | |
| 15 V | | | | | | | 40 | | |
| 24 V | | | | | | | 60 | | |
| other voltages and features ¹ | | | | | | | 80, ... 99 | | |
| Operational ambient temperature range T_A : | | | | | | | | | |
| -40 to 71 °C | | | | | | | | | -9 |
| other ¹ | | | | | | | | | 0 |
| Output voltage adjust (auxiliary function) | | | | | | | | | R ³ |
| Options: Current sharing | | | | | | | | | T ² |
| UVL (preadjusted $V_{i \text{ min}}$) | | | | | | | | | Uxx ⁵ |
| V (rotary switch to adjust $V_{i \text{ min}}$) | | | | | | | | | V ⁶ |
| Heatsink 10, 20, 30 mm | | | | | | | | | B0, B1, B3 |
| RoHS-compliant for all 6 substances | | | | | | | | | G |

¹ Customer-specific models.

² Only available for single-output powertrains. Option T excludes option R, except for single-output models; refer to table 12. T is standard for single-output models

³ The R-input influences the first power train only; refer to table 12.

⁴ Models with 220 mm case length. Just add 5000 to the standard model number, e.g. HP3020-9RG → HP8020-9RG.

⁵ For full compatibility with former P Series, the start voltage can be preadjusted depending on the nominal battery voltage. Excludes opt. V.

⁶ Excludes opt. U.

Note: The sequence of options must follow the order above.

Example: HP4660-9RB1G: DC-DC converter, input voltage 16.8 to 137.5 V, 4 outputs providing 24V each, heatsink B1, ambient temperature of -40 to 71 °C, RoHS-compliant.

Note: All models exhibit the following auxiliary functions, which are not reflected in the type designation: input and output filters, primary referenced PUL (programmable undervoltage shutdown with inhibit function), sense lines (single-, double-, triple-output models only), and LED indicators.

Product Marking

Basic type designation, approval marks, CE mark, warnings, pin allocation, patents, MELCHER logo, specific type designation, input voltage range, nominal output voltages and output currents, degree of protection, identification of LEDs, batch no., serial no. and data code including production site, version, and production date.

Output Configuration

The HP Series allows high flexibility in output configuration to cover almost every individual requirement, by simply wiring outputs in parallel, in series, or in independent configuration, as shown in the following diagrams.

Parallel or serial operation of several converters with equal output voltage is possible, using the current share option T to provide reasonable current sharing. Choose suitable single-output models, if available.

Note: Unused tracking outputs should be connected in parallel to the respective regulated outputs.

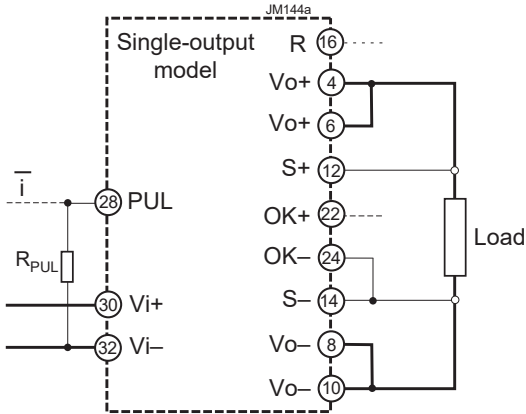


Fig. 1a
Standard configuration (single-output model)

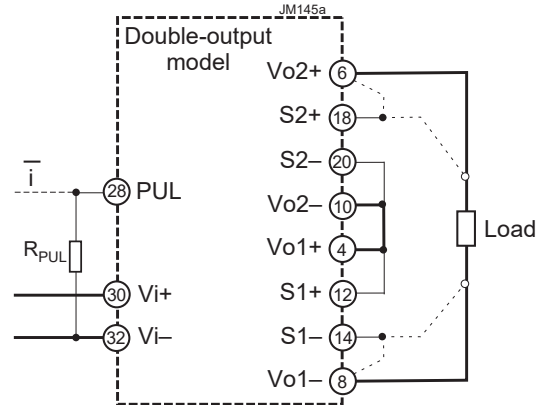


Fig. 1b
Series output configuration of a double-output model.
The second output is fully regulated.

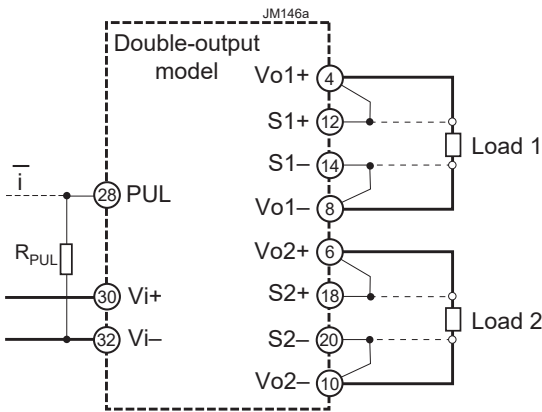


Fig. 1c
Independent double-output configuration. Both outputs are fully regulated

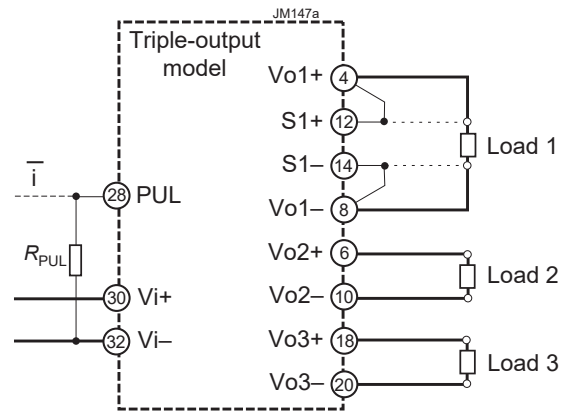


Fig. 1d
Independent triple-output configuration. Output 3 is tracking

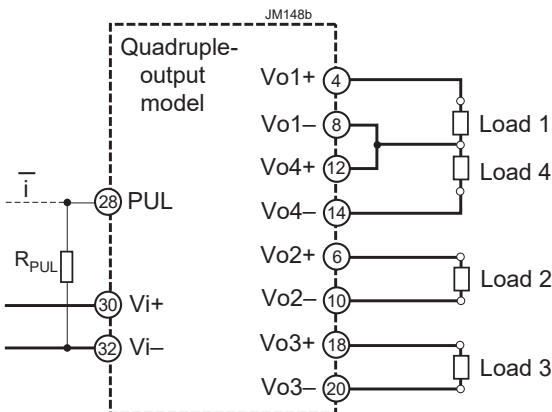


Fig. 1e
Common ground configuration of output 1 with 4 and independent configuration of output 2 and 3

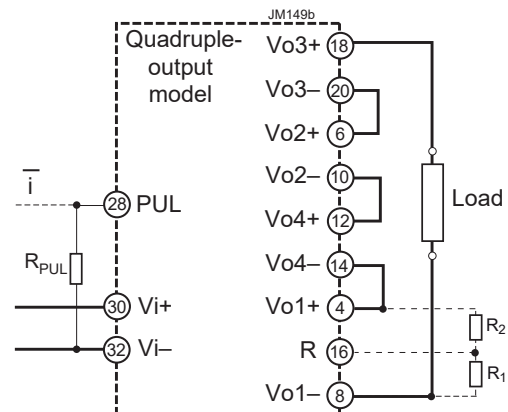


Fig. 1f
Series configuration of all outputs ($V_o = 96$ V for HP4660).
The R-input influences only outputs 1 and 4. For the values of R1 and R2 see Output Voltage Adjust.

Functional Description

The converters are designed using transformers with planar technology. The input voltage is fed to a booster, which generates a voltage of approx. 70 V. If V_i is higher, the booster becomes simply a diode. The storage capacitor C_{hu} is charged by a current source to max. 70 V and enables the powertrains to operate during the specified interruption time. The resulting intermediate voltage, between 45 V (during interruption time) and 154 V, supplies the powertrains.

There are two powertrains fitted to a converter, each consisting either of a regulated single output with synchronous rectifier or of a regulated main output with a tracking 2nd output.

As part of a distributed power supply system, the low-profile design significantly reduces the required volume without sacrificing high reliability. The converters are particularly suitable for 19" rack systems occupying 3 U / 4 TE only, but they can also be chassis-mounted by screws or fitted with a heat sink. Connector type is H15. The fully enclosed Aluminum case acts as heat sink and RFI shield, such protecting the converter together with the coating of all components against environmental impacts. The converters are equipped with two independent forward converters, switching 180° phase-shifted to minimize the input ripple current. These two forward converters are called "powertrains" (PT), exhibiting either a single output with synchronous rectifier or two isolated outputs, one fully regulated and the other one tracking (semi-regulated), thus providing up to four output voltages. The output power may be flexibly distributed among the main and the tracking output of a double-output powertrain. Close magnetic coupling in the transformers and output inductors together with circuit symmetry ensure small deviation between main and tracking output.

The low input capacitance results in low and short inrush current. After the isolating transformer and rectification, the output filter reduces ripple and noise to a minimum without affecting the dynamic response. Outputs 3 and 4, if available, are tracking (semi-regulated). An individual current limiter built in to of each powertrain limits the total output current of that powertrain in an overload condition. This allows flexible power distribution of the outputs of each powertrain. All outputs can either be connected in series or in parallel; see *Electrical Output Data*.

An auxiliary converter provides the bias voltages for the primary and secondary referenced control logic and auxiliary circuits. The converter is only enabled, if the input voltage is within the operating voltage range and above the programmable undervoltage lockout threshold (PUL) – such limiting the input current dependent on the nominal battery voltage.

All output are equipped with a suppressor diode and an independent monitor sensing the output voltage of the main output. In the case of an overvoltage, it influences the control logic respectively.

The temperature is monitored and induces the converter to disable the outputs. After the temperature has dropped, the converter automatically resumes.

Block Diagrams

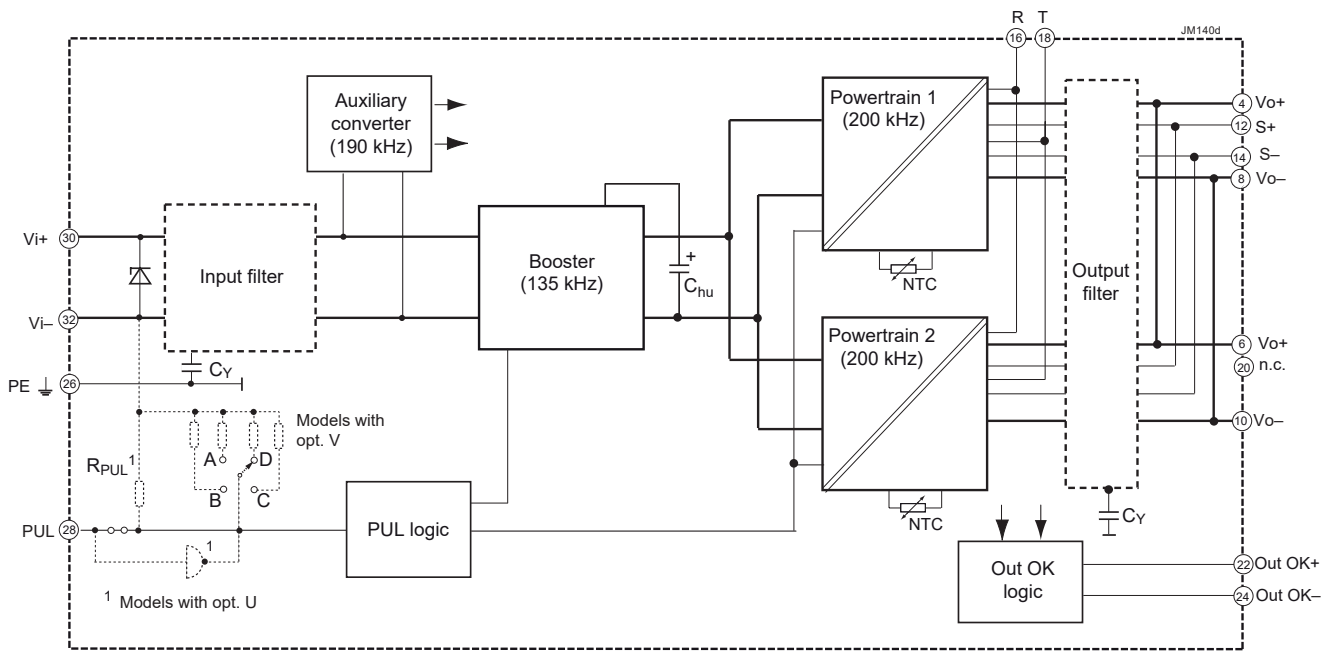


Fig. 2a
Block diagram of single-ouput models

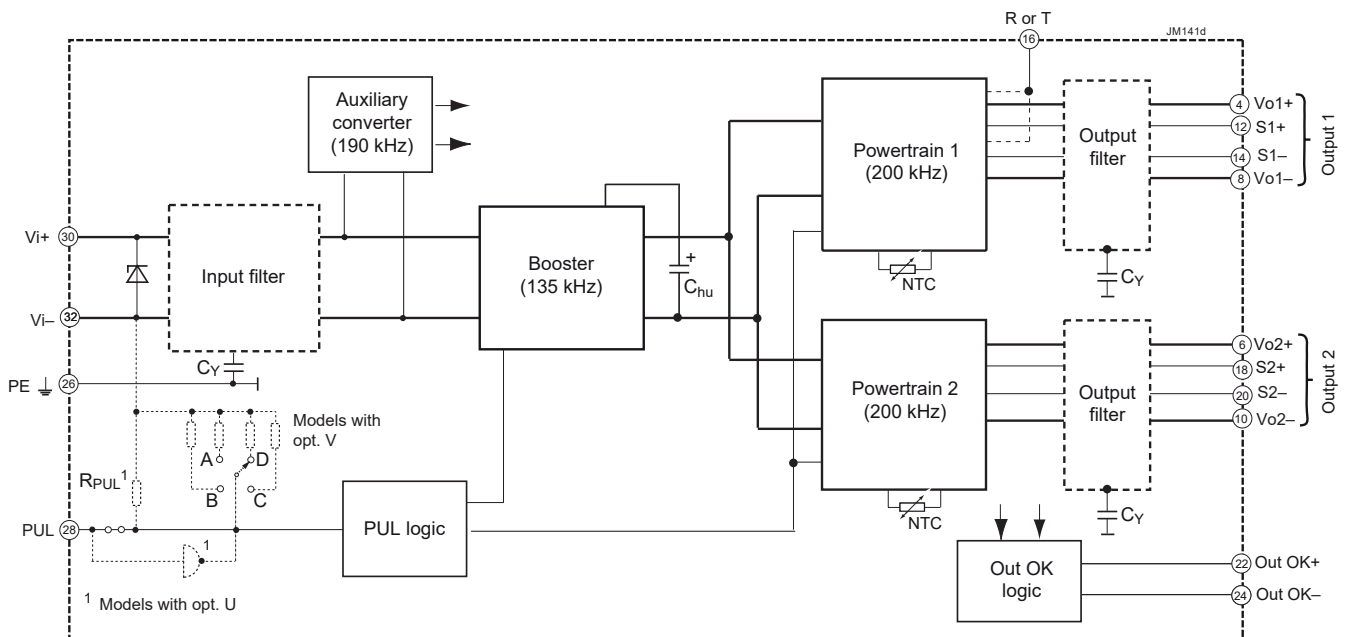


Fig. 2b
Block diagram of double-output models

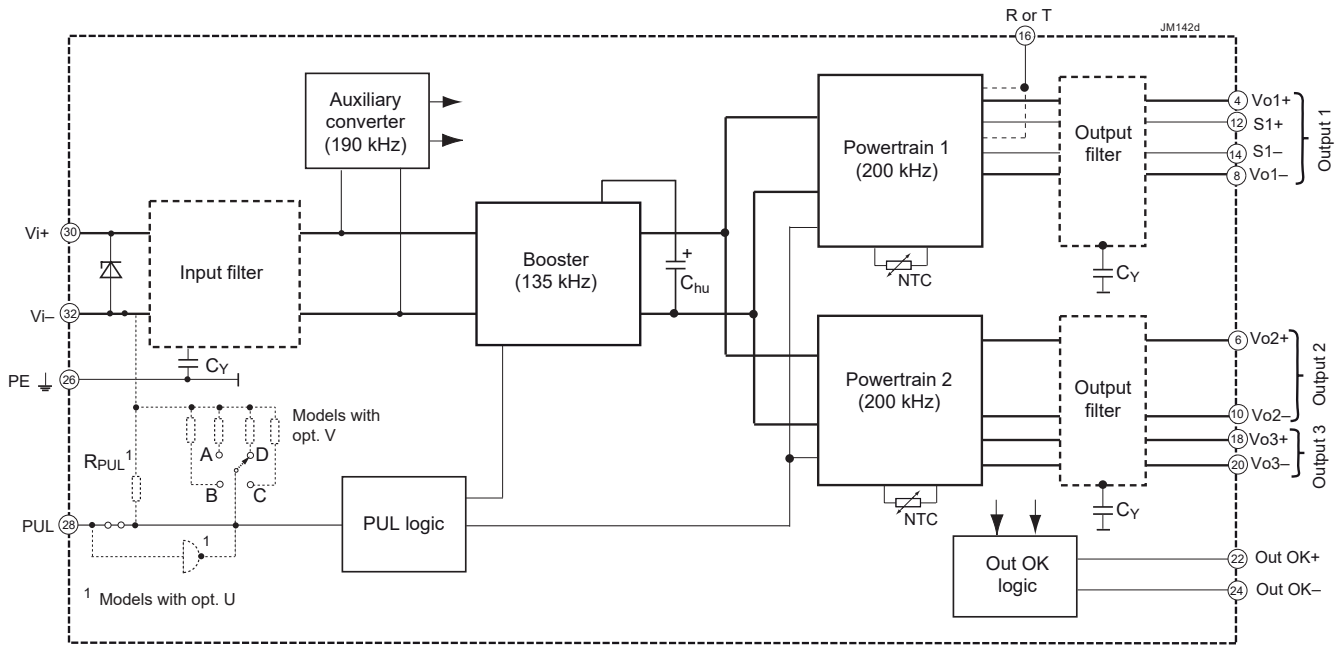


Fig. 2c
Block diagram of triple-output models

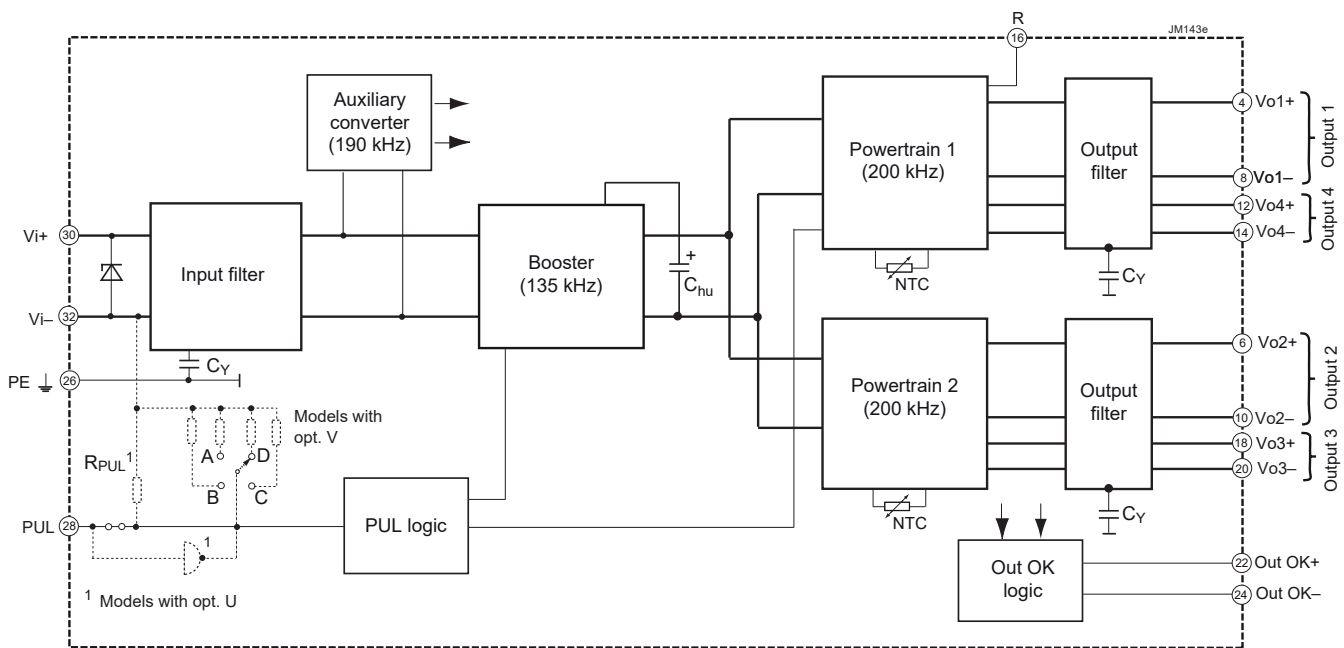


Fig. 2d
Block diagram of quadruple-output models

Electrical Input Data

General conditions:

- $T_A = 25\text{ °C}$, unless T_C is specified.
- Sense lines connected directly at the connector
- R input and PUL-input not connected

Table 2: Input data

| Model | | | HP | | | Unit |
|--------------------|--|--|------------|-------|-------|---------------|
| Characteristics | | Conditions | min | typ | max | |
| V_i | Operating input voltage continuous | $I_o = 0 - I_{o\max}$ | 16.8 | | 137.5 | V |
| | For ≤ 2 s without lockout | $T_{C\min} - T_{C\max}$ | 12.5 | | 154 | |
| $V_{i\text{nom}}$ | Nominal input voltage range | | 24 | (110) | 110 | |
| $V_{i\text{abs}}$ | Input voltage limits | 3 s, without damage | 0 | | 165 | |
| I_i | Typical input current ¹ | $V_{i\text{nom}}, I_{o\text{nom}}$ | see fig. 3 | | | |
| P_{i0} | No-load input power ¹ | $V_{i\min} - V_{i\max}, I_o = 0$ | | | 7 | W |
| $P_{i\text{inh}}$ | Idle input power ^{1,2} | $V_{i\min} - V_{i\max}, V_{\text{PUL}} = 0\text{ V}$ | | | 1.5 | |
| C_i | Input capacitance ³ | | | 18 | | μF |
| R_i | Input resistance | | | 10 | | m Ω |
| $I_{\text{inr p}}$ | Peak inrush current | $V_i = 137.5\text{ V}, I_{o\text{nom}}$ | | 65 | | A |
| $t_{\text{inr d}}$ | Duration of inrush current | | | | 7 | |
| t_{on} | Start-up time at power on ⁴ | $0 \rightarrow V_{i\min}, I_{o\text{nom}}$ | | 250 | 500 | ms |
| | Start-up time after inhibit ⁴ | $V_{i\min} \geq 16.8\text{ V}, I_{o\text{nom}}$ $V_{\text{PUL}} = 0 \rightarrow 5\text{ V}$ | | 250 | 500 | |

¹ Typical values; dependent on model

² Converter inhibited with the PUL-pin

³ Not smoothed by the inrush current limiter at start-up (for inrush current calculation)

⁴ See fig. 14

Input Protection, PUL Function, Fuse

No fuse is incorporated in the converter. Consequently, an external circuit breaker or fuse at system level should be installed to protect against severe defects; see table 3.

Table 3: PUL specification (typ.) and recommended external fuse depending on the nom. battery voltage

| Battery | R_{PUL} | $V_{i\min}$ (on / off) | | Fuse recommended |
|---------|------------------|------------------------|---------------------|--|
| 24 V | ∞ | 14.9 V | 12.5 V ⁴ | 25 A fast, Littlefuse 314 ¹ |
| 36 V | 75 k Ω | 21.3 V | 17 V | 16 A fast, Schurter SP ² |
| 48 V | 47 k Ω | 25.4 V | 20.2 V | 12.5 A fast, Schurter SP ² |
| 72 V | 16.9 k Ω | 43 V | 34 V | 8 A fast, Schurter SP ² |
| 96 V | 10 k Ω | 59.5 V | 48 V | 8 A fast, Schurter SP ² |
| 110 V | 7.5 k Ω | 71 V | 56 V | 6.3 A slow, BEL fuse MRT ³ |
| all | < 100 Ω | Converter disabled | | |

¹ Size 6.3 x 32 mm ² size 5 x 20 mm ³ $\varnothing 8.35 \times 7.7$ mm ⁴ for ≤ 2 s

Note: An internal R_{PUL} is fitted in models with option U in order to provide compatibility with the converters Series BP – EP.

Reverse polarity protection is provided by antiparallel diodes across the input, causing the external circuit breaker or fuse to trip. A suppressor diode protects against voltage spikes beyond $V_{i\text{abs}}$.

The converter is designed for an extremely wide input voltage range, allowing for connection to all common railway batteries. However, the programmable input undervoltage lockout (PUL, pin 28) should be adjusted carefully in order to limit the input current at start-up; see fig 3.

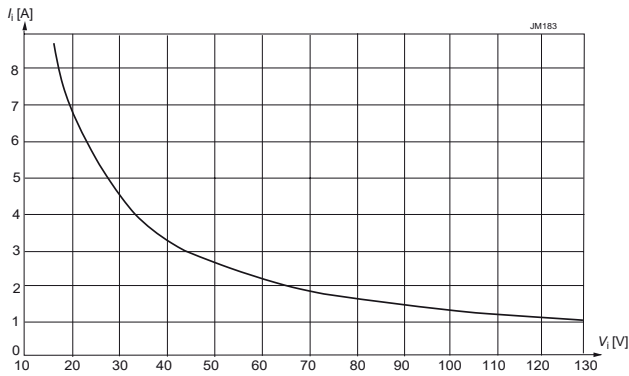


Fig. 3
Typ. input current versus input voltage at nominal load (HP4660)

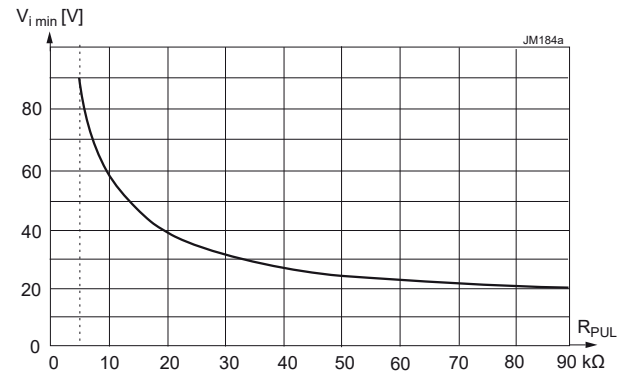


Fig. 4
 R_{PUL} versus switch-on voltage

Table 3 shows the values of the resistor R_{PUL} , connected between PUL and V_{i-} , versus the resultant minimum input voltage and the resultant maximum input current. Fig. 4 shows more values of R_{PUL} versus start-up voltage. For stationary batteries, a higher start-up voltage might be advantageous.

Note: If PUL (pin 28) is connected to V_{i-} (pin 32), the converter is disabled. See also *Inhibit Function*.

Inrush Current

The converters exhibit small input capacitance C_i . However, a short peak current appears when applying the input voltage.

Note: The storage capacitor C_{hu} is charged by a current source and does not contribute to the inrush current.

The peak inrush current can be found by following calculation; see also fig. 5:

$$I_{inr p} = \frac{V_{i source}}{(R_{ext} + R_i)}$$

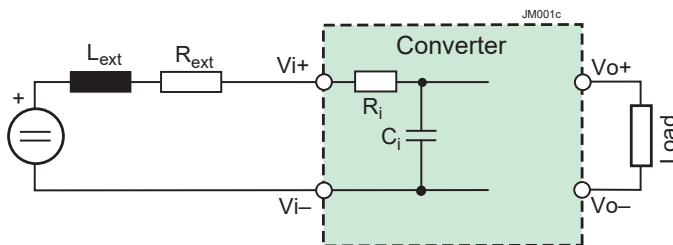


Fig 5
Input circuit to calculate the inrush current

Input Stability with Long Supply Lines

If a converter is connected to the power source by long supply lines exhibiting a considerable inductance L_{ext} , an additional external capacitor C_{ext} connected across the input pins improves the stability and prevents oscillations.

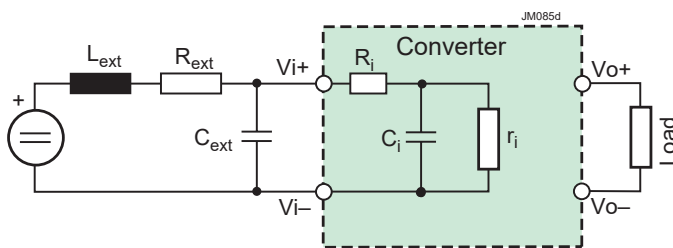


Fig 6
Input configuration to consider stability

Actually, a HP Series converter with its load acts as negative resistor r_i , because the input current I_i rises, when the input voltage V_i decreases. It tends to oscillate with a resonant frequency determined by the line inductance L_{ext} and the input capacitance $C_{ext} + C_i$ damped by the resistor R_{ext} . The whole system is not linear at all and eludes a simple calculation. One basic condition is given by the formula:

$$C_i + C_{ext} > \frac{L_{ext} \cdot P_{o\ max}}{R_{ext} \cdot V_{i\ min}^2} \quad \left(r_i = \frac{dV_i}{dI_i} \right)$$

R_{ext} is the series resistor of the voltage source including supply lines. If said condition is not fulfilled, the converter may not reach stable operating conditions. Worst case conditions are lowest V_i and highest output power P_o .

Low inductance L_{ext} of the supply lines and an additional capacitor C_{ext} are helpful. Recommended values for C_{ext} are given in table 4, which should allow for stable operation up to an input inductance of 2 mH. C_i is specified in table 2.

Table 4: Recommended values for C_{ext}

| $V_{B\ nom}$ | Capacitance | Voltage |
|--------------|--------------|---------|
| 24 V | 1500 μ F | 40 V |
| 36 V | 1000 μ F | 63 V |
| 48 V | 470 μ F | 100 V |
| 72 V | 220 μ F | 125 V |
| 110 V | 100 μ F | 200 V |

Efficiency

The efficiency depends on the model (output configuration) and on the input voltage. Some examples:

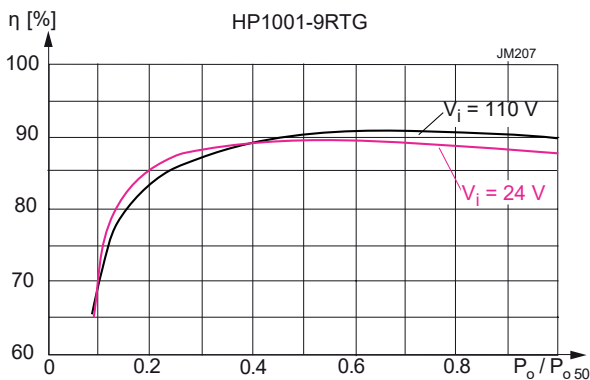


Fig. 7a
Efficiency versus V_i and P_o (HP1001)

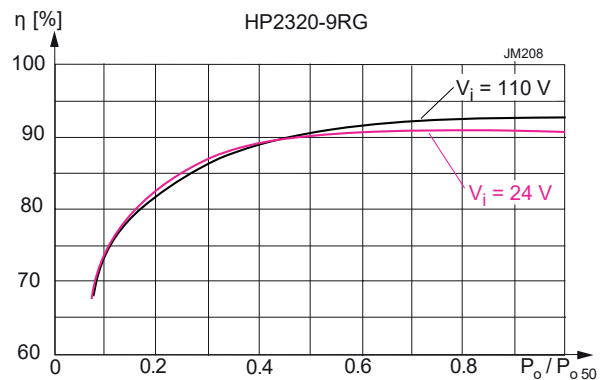


Fig. 7b
Efficiency versus V_i and P_o (HP2320)

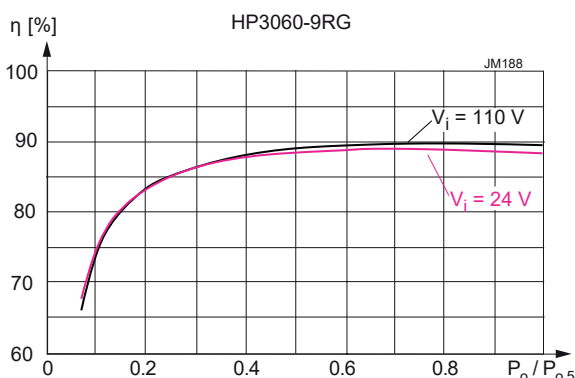


Fig. 7c
Efficiency versus V_i and P_o (HP3060)

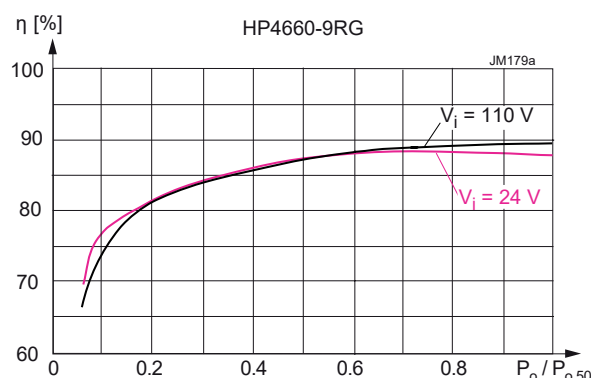


Fig. 7d
Efficiency versus V_i and P_o (HP2660 and HP4660)

Electrical Output Data

General conditions:

- $T_A = 25^\circ\text{C}$, unless T_C is specified.
- Sense lines connected directly at the connector
- R-input and PUL-input not connected

Table 5a: Output data for single-output powertrains

| Output | | Single-output powertrain | 5.1 V | | | 12 V | | | 15 V | | | 24 V | | | Unit | | | | |
|---------------------|---|--|----------------------|-----|------|------------------------|-----|-------|------------------------|-----|-------|------------|-----|-------|------------------|------|----|------|---|
| Characteristics | | Conditions | min | typ | max | min | typ | max | min | typ | max | min | typ | max | | | | | |
| V_o | Output voltage ¹ | $V_{i\text{nom}}, I_{o\text{nom}}$ | 5.07 | 5.1 | 5.13 | 11.94 | 12 | 12.06 | 14.93 | 15 | 15.08 | 23.88 | 24 | 24.12 | V | | | | |
| V_{ow} | Worst case output voltage | $V_{i\text{min}} - V_{i\text{max}}$ $T_{C\text{min}} - T_{C\text{max}}$ $(0.02 - 1) I_{o\text{nom}}$ | 5.02 | | 5.18 | 11.82 | | 12.18 | 14.78 | | 15.23 | 23.64 | | 24.36 | | | | | |
| V_{oP} | Overvoltage protection ² | | 6.45 | 6.8 | 7.14 | 14.3 | 15 | 15.8 | 17.1 | 18 | 18.9 | 28.5 | 30 | 31.5 | | | | | |
| V_{oL} | Overvoltage shutdown ⁶ | | 6.5 | | | 14.3 | | | 17 | | | 28 | | | | | | | |
| I_o | Nom / Max output current ³ | $V_{i\text{min}} - V_{i\text{max}}$ | 12 / 18 ³ | | | 5.1 / 8.0 ³ | | | 4.0 / 6.4 ³ | | | 2.55 / 4.0 | | | A | | | | |
| I_{oL} | Output current limit | $T_{C\text{min}} - T_{C\text{max}}$ | 18.5 | | | 22.5 | | | 8.2 | | | 10.6 | | | | | | | |
| $V_{o\text{noise}}$ | Output noise ⁴ | Switch. frequency | 10 | | | 15 | | | 20 | | | 30 | | | mV _{pp} | | | | |
| | | Total incl. spikes | 20 | | | 30 | | | 40 | | | 60 | | | | | | | |
| V_{od} | Dynamic load regulation | Voltage deviation | 0.6 | | | 0.9 | | | 1.0 | | | 1.5 | | | V | | | | |
| t_d ⁵ | | Recovery time | 5 | | | 5 | | | 5 | | | 5 | | | ms | | | | |
| V_{otr} | Output voltage trim range (via R-input) | $1.1 V_{i\text{min}} - V_{i\text{max}}$ $(0.1 - 1) I_{o\text{nom}}$ | 2.75 | | | 5.61 | | | 6.5 | | | 13.2 | | | 8.1 | 16.5 | 13 | 26.4 | V |
| α_{vo} | Temperature coefficient of V_o | $I_{o\text{nom}}$ $T_{C\text{min}} - T_{C\text{max}}$ | ± 0.02 | | | ± 0.02 | | | ± 0.02 | | | ± 0.02 | | | %/K | | | | |

¹ If the output voltages are increased above $V_{o\text{nom}}$ through R-input control or remote sensing, the output power should be reduced accordingly, so that $P_{o\text{max}}$ and $T_{C\text{max}}$ are not exceeded.

² Breakdown voltage of the incorporated suppressor diode at 10 mA (5.1 V) or 1 mA (≥ 12 V). Exceeding this value might damage the suppressor diode.

³ First value is for $P_{o\text{nom}}$ ($T_A = 71^\circ\text{C}$), second value for P_{o50} ($T_A = 50^\circ\text{C}$); see also *Output Power at Reduced Temperature*

⁴ Measured according to IEC/EN 61204 with a probe described in annex A

⁵ Recovery time until V_o returns to $\pm 1\%$ of V_o ; see *Dynamic Load Regulation*

⁶ Output voltage limitation by an additional electronic shutdown

Table 5b: Output data for double-output powertrains. General conditions as in table 5a.

| Output | | Double-output powertrain | 12 V | | | | | | Unit |
|---------------------|---|--|--|-----|-------|-------------------------------|-----|-------|------------------|
| | | | Main output | | | Tracking output | | | |
| Characteristics | | Conditions | min | typ | max | min | typ | max | |
| V_o | Output voltage ¹ | $V_{i\text{nom}} \cdot I_{o\text{nom}}$ | 11.94 | 12 | 12.06 | 11.76 | 12 | 12.24 | V |
| V_{ow} | Worst case output voltage | $V_{i\text{min}} - V_{i\text{max}}$ $T_{C\text{min}} - T_{C\text{max}}$ $(0.02 - 1) I_{o\text{nom}}$ | 11.82 | | 12.18 | See Output Voltage Regulation | | | |
| V_{oP} | Overvoltage protection ² | | 14.3 | 15 | 15.8 | 14.3 | 15 | 15.8 | |
| V_{oL} | Overvoltage shutdown ⁶ | | 14.3 | | | none | | | |
| I_o | Nom / Max output current ³ | $V_{i\text{min}} - V_{i\text{max}}$ $T_{C\text{min}} - T_{C\text{max}}$ | 2.5 / 4.0 | | | 2.5 / 4.0 | | | A |
| I_{oL} | Output current limit | | 8.2 | | | 10.6 | | | |
| $V_{o\text{noise}}$ | Output noise ⁴ | Switch. frequency | $V_{i\text{nom}} \cdot I_{o\text{nom}}$ | | | 15 | | | mV _{pp} |
| | | Total incl. spikes | BW = 20 MHz | | | 30 | | | |
| V_{od} | Dynamic load regulation | Voltage deviation | $V_{i\text{min}} - V_{i\text{max}}$ $(0.5 \leftrightarrow 1) I_{o\text{max}}$ | | | 0.5 | | | V |
| t_d ⁵ | | Recovery time | | | | 1 | | | ms |
| V_{otr} | Output voltage trim range (via R-input) | $1.1 V_{i\text{min}} - V_{i\text{max}}$ $(0.1 - 1) I_{o\text{nom}}$ | 4.5 | | 13.2 | See Output Voltage Regulation | | | V |
| α_{vo} | Temperature coefficient of V_o | $I_{o\text{nom}}$ $T_{C\text{min}} - T_{C\text{max}}$ | | | | ±0.02 | | | %/K |

Table 5c: Output data for double-output powertrains. General conditions as in table 5a.

| Output | | Double-output powertrain | 15 V | | | | | | 24 V | | | | | | Unit |
|---------------------|---|--|--|-----|-------|-------------------------------|-----|------|-------------|-----|-------|-------------------------------|-----|-------|------------------|
| | | | Main output | | | Tracking output | | | Main output | | | Tracking output | | | |
| Characteristics | | Conditions | min | typ | max | min | typ | max | min | typ | max | min | typ | max | |
| V_o | Output voltage ¹ | $V_{i\text{nom}} \cdot I_{o\text{nom}}$ | 14.93 | 15 | 15.08 | 14.7 | 15 | 15.3 | 23.88 | 24 | 24.12 | 23.76 | 24 | 24.24 | V |
| V_{ow} | Worst case output voltage | $V_{i\text{min}} - V_{i\text{max}}$ $T_{C\text{min}} - T_{C\text{max}}$ $(0.02 - 1) I_{o\text{nom}}$ | 14.78 | | 15.23 | See Output Voltage Regulation | | | 23.64 | | 24.36 | See Output Voltage Regulation | | | |
| V_{oP} | Overvoltage protection ² | | 17.1 | 18 | 18.9 | 17.1 | 18 | 18.9 | 28.5 | 30 | 31.5 | 28.5 | 30 | 31.5 | |
| V_{oL} | Overvoltage shutdown ⁶ | | 17 | | | none | | | 28 | | | none | | | |
| I_o | Nom / Max output current ³ | $V_{i\text{min}} - V_{i\text{max}}$ $T_{C\text{min}} - T_{C\text{max}}$ | 2.0 / 3.2 | | | 2.0 / 3.2 | | | 1.25 / 2.0 | | | 1.25 / 2.0 | | | A |
| I_{oL} | Output current limit | | 6.6 | | | 8.0 | | | 4.3 | | | 5.7 | | | |
| $V_{o\text{noise}}$ | Output noise ⁴ | Switch. frequency | $V_{i\text{nom}} \cdot I_{o\text{nom}}$ | | | 20 | | | 25 | | | 25 | | | mV _{pp} |
| | | Total incl. spikes | BW = 20 MHz | | | 40 | | | 50 | | | 50 | | | |
| V_{od} | Dynamic load regulation | Voltage deviation | $V_{i\text{min}} - V_{i\text{max}}$ $(0.5 \leftrightarrow 1) I_{o\text{max}}$ | | | 0.5 | | | 1.0 | | | 0.8 | | | V |
| t_d ⁵ | | Recovery time | | | | 1 | | | 1 | | | 2 | | | ms |
| V_{otr} | Output voltage trim range (via R-input) | $1.1 V_{i\text{min}} - V_{i\text{max}}$ $(0.1 - 1) I_{o\text{nom}}$ | 8.1 | | 16.5 | See Output Voltage Regulation | | | 13 | | 26.4 | See Output Voltage Regulation | | | V |
| α_{vo} | Temperature coefficient of V_o | $I_{o\text{nom}}$ $T_{C\text{min}} - T_{C\text{max}}$ | | | | ±0.02 | | | | | | ±0.02 | | | %/K |

¹ If the output voltages are increased above $V_{o\text{nom}}$ through R-input control or remote sensing, the output power should be reduced accordingly, so that P_{o50} and $T_{C\text{max}}$ are not exceeded.

² Breakdown voltage of the incorporated suppressor diode at 1 mA. Exceeding this voltage might damage the suppressor diode.

³ First value is for $P_{o\text{nom}}$ ($T_A = 71^\circ\text{C}$), second value for P_{o50} ($T_A = 50^\circ\text{C}$); see also *Output Power at Reduced Temperature*

⁴ Measured according to IEC/EN 61204 with a probe described in annex A

⁵ Recovery time until V_o returns to ±1% of V_o ; see *Dynamic Load Regulation*

⁶ Output voltage limitation by an additional electronic shutdown

Parallel and Series Operation

The first outputs of power trains with equal nominal output voltage can be connected in parallel. Where available, we recommend ordering of option T.

Any output can be connected in series with any other output. If the main and the tracking output of the same power train are connected in series, consider that the effect of the R-input is doubled.

Notes:

- If a tracking output is not used, connect it in parallel to the respective regulated main output.
- Connection of several outputs in parallel should include measures to approximate all output currents. Single-output power trains exhibit current-share pins (T), which must be interconnected. If no current-share pins are available, the load lines should exhibit a similar resistance.
- The PUL-pins (pin 28) should exhibit an individual PUL resistor for each converter. If the shutdown function is used, each PUL-pin must be controlled individually.
- If several outputs are connected in series, the resulting voltage may exceed the ES1 level and require additional safety measures in order to comply with international safety standards.

Parallel operation of two double-output converters with series-connected outputs is shown in fig. 9. The link between the T pins ensures proper current sharing, even though only the first outputs are influenced by T-function. Sense lines are connected directly at the connector, and load lines have equal length and section.

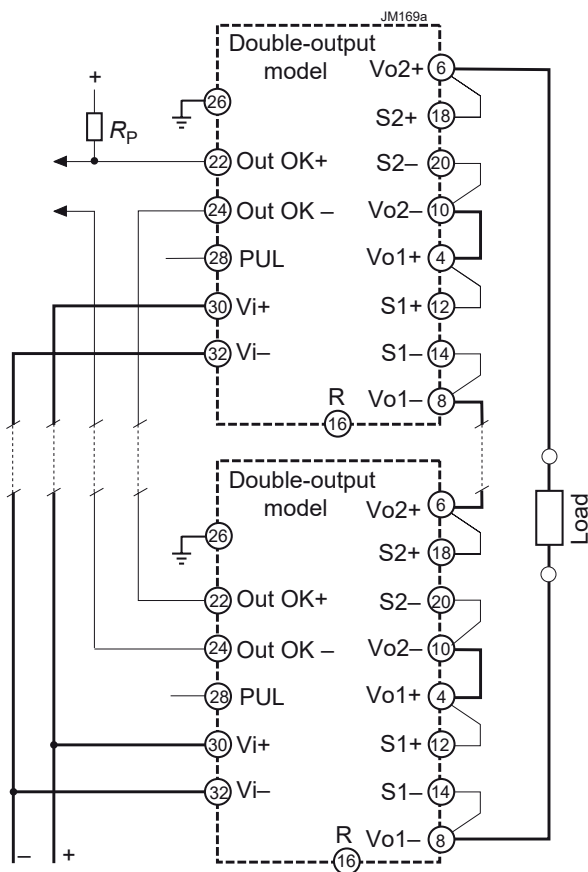


Fig. 8
Series connection of double-output converters.
Sense lines connected at the connector.

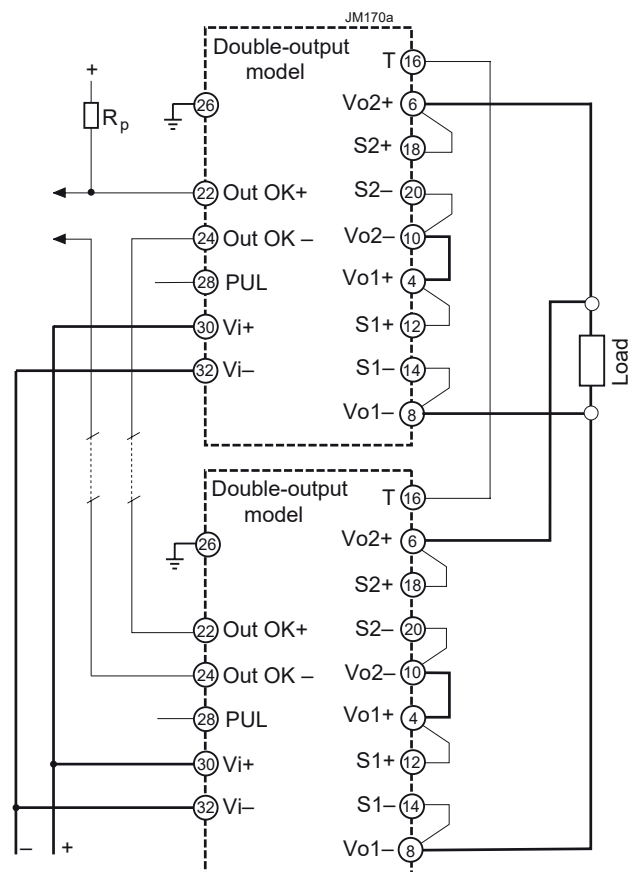


Fig. 9
Parallel operation of 2 double-output converters
with series-connected outputs.

Redundant Systems

An example of a redundant system using converters with 2 regulated outputs (HP2020) is shown in fig. 10. Load 1 is powered with 5.1 V and load 2 with 12 V.

The converters are separated with ORing diodes. If one converter fails, the remaining one still delivers the power to the loads.

If more power is needed, the system may be extended to more parallel converters (n+1 redundancy).

Current sharing of the 5.1 V outputs is ensured by the interconnected T pins, whereas the sense lines are connected after the ORing diodes to maintain the correct output voltage.

For the 12 V outputs, no active current-share feature is available. As a result, 2 little diodes D_s (loaded by small resistors R_s) simulate the voltage drop of the ORing diodes. Reasonable current sharing is provided by load lines of equal length and section.

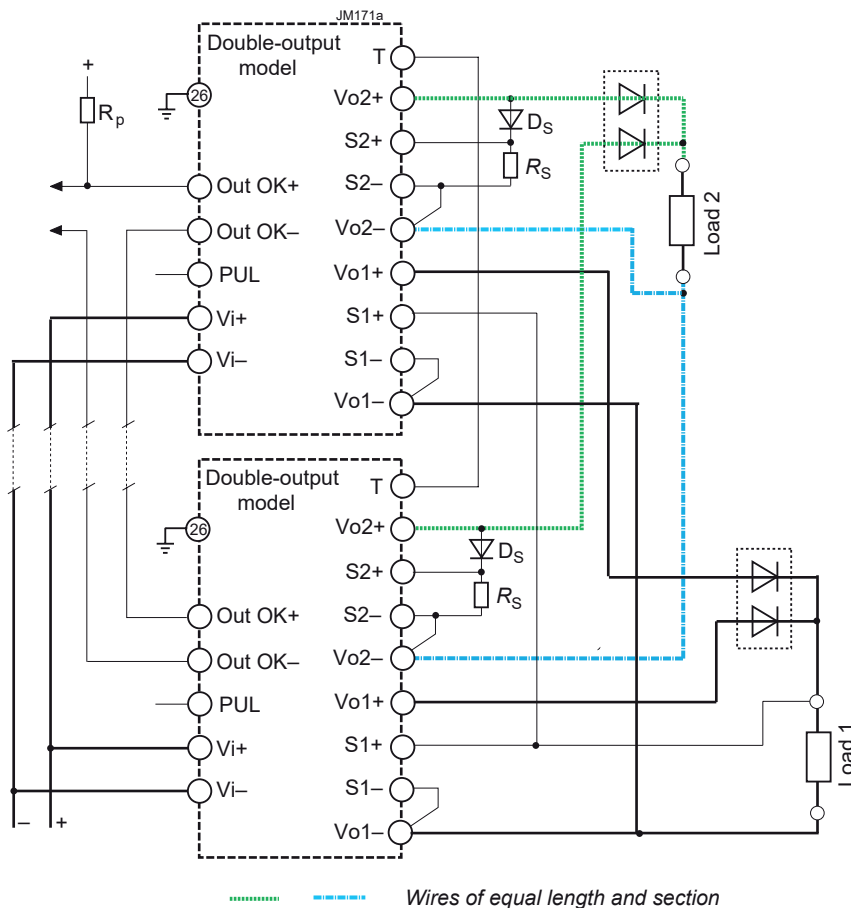


Fig. 10
Redundant configuration (example)

Hot Swap

In applications using the hot swap capabilities, dynamic output voltage changes during plug-in and plug-out operations may occur.

Output Voltage Regulation

Line and load regulation of the regulated outputs is so good that input voltage and output current have virtually no influence to the output voltage.

If a tracking output is not loaded, its output voltage may rise considerably. Thus, unused tracking outputs should be connected in parallel to the respective main output.

The dynamic load regulation is shown in fig. 11.

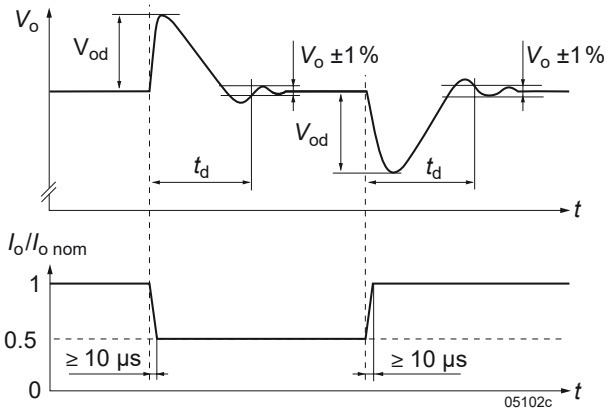


Fig. 11
Typical dynamic load regulation of the output voltage

Tracking Outputs

The main outputs 1 and 2 are regulated to $V_{o,nom}$ independent of the output current. If the loads on outputs 3 and 4 are too low (<10% of $I_{o,nom}$), their output voltage tends to rise. V_{o3} and V_{o4} depend on the load distribution: If all outputs are loaded with at least 10% of $I_{o,nom}$, V_{o3} and V_{o4} remain within $\pm 5\%$ of $V_{o,nom}$. The chart fig. 12 shows the regulation of the tracking outputs under different load conditions. If $I_{o1} = I_{o4}$ and $I_{o2} = I_{o3}$ or if the tracking outputs are connected in series with their respective regulated outputs, then V_{o3} and V_{o4} remain within $\pm 1\%$ of $V_{o,nom}$, provided that the load is at least $I_{o,min}$.

Because the HP Series uses main transformers in planar technology, the tracking outputs follow the main outputs very closely.

Note: If a tracking output (V_{o3} or V_{o4}) is not loaded, it should be connected in parallel to the respective main output (V_{o3} parallel to V_{o2} , V_{o4} parallel to V_{o1}).

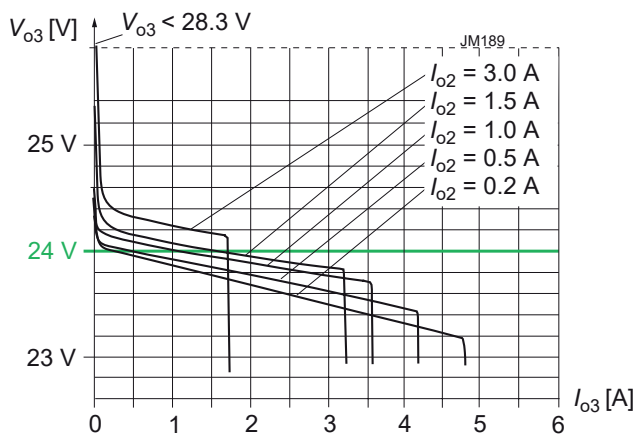


Fig. 12a
24 V tracking output $V_{o3} = f(I_{o2})$. The same chart applies for $V_{o4} = f(I_{o1})$

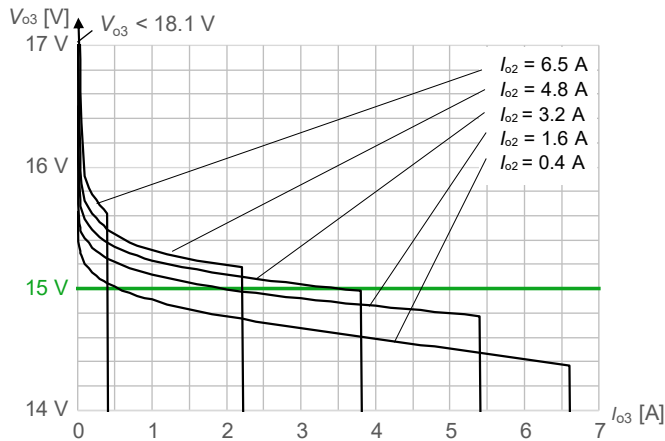


Fig. 12b
15 V tracking output $V_{o3} = f(I_{o2})$.
The same chart applies for $V_{o4} = f(I_{o1})$

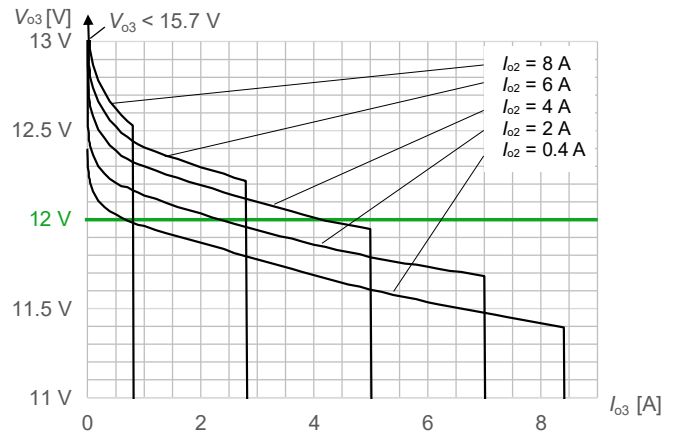


Fig. 12c
12 V tracking output $V_{o3} = f(I_{o2})$.
The same chart applies for $V_{o4} = f(I_{o1})$

Output Current Protection

All outputs are continuously protected against open-circuit (no load) and short-circuit by an electronic current limitation.

Single- and double-output powertrains have a rectangular current limitation characteristic. In double output power-trains, only the total current is limited allowing free choice of load distribution between the two outputs of each power train up to a total $I_{o1} + I_{o4} = I_{o\ max}$ or $I_{o2} + I_{o3} = I_{o\ max}$.

All outputs are protected by an individual suppressor diode. In addition, the main outputs are monitored. In the case of an overvoltage (caused by a defect), the monitoring circuit resets the PWM logic and the output voltage.

Interruption Time

The interruption time t_{hu} (ride-through time) of the system complies to class S2 (≥ 10 ms) according to EN 50155:2017, clause 5.1.1.4. It is valid for interruption and a short-circuit of the input voltage V_i ($V_i \geq 24$ V).

After such an event, the system is ready for the next event after 10 s.

Note: t_{hu} is the minimum interruption time, but depending on different operating conditions, this time can be much longer.

Thermal Considerations and Protection

If a converter is mounted upright in free air allowing for unrestricted convection cooling and is operated at nominal input voltage (24 V to 110 V) and nominal output power at $T_{A\ max}$ (see table *Temperature specifications*), the temperature T_C measured at the measurement point on the case (see *Mechanical Data*) approaches $T_{C\ max}$ after an initial warm-up phase. However the relationship between T_A and T_C depends heavily on the operating conditions and system integration. The thermal conditions are influenced significantly by the input voltage, the output current, airflow, and the temperature of the adjacent elements and surfaces. $T_{A\ max}$ is therefore in contrast to $T_{C\ max}$ an indicative value only.

Operating the converters with output currents beyond $I_{o\ nom}$ requires a reduction of the maximum ambient temperature or forced-air cooling in order to keep T_C below 100 °C. When $T_{C\ max}$ is exceeded, the thermal protection (sensors near the output rectifiers of each powertrain) is activated and disables the outputs. The converter automatically resumes when the temperature drops.

At $T_A \leq 71$ °C, $P_{o\ nom}$ is continuously possible, if $V_i \geq 16.8$ V.

At $T_A \leq 50$ °C, $P_{o\ 50}$ is continuously possible, if $V_i \geq 22$ V.

Note: Forced cooling or an additional heat sink (option B, B1, B3) improves the reliability or allow T_A for going beyond $T_{A\ max}$ provided that $T_{C\ max}$ is not exceeded. In rack systems without proper thermal management the converters must not be packed too closely together! In such a case the use of 5 or 6 TE front panels is recommended.

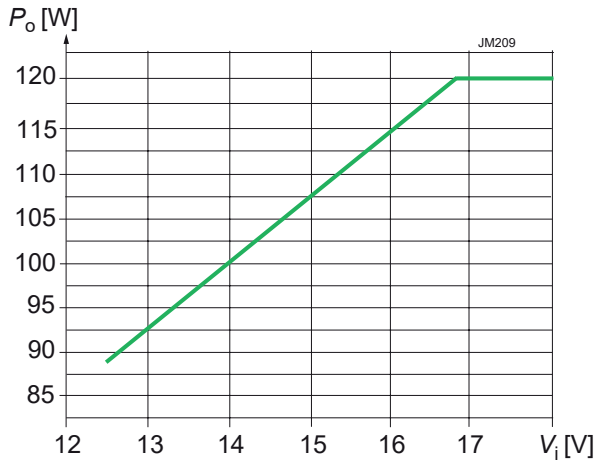


Fig. 13
Possible continuous output power P_o versus V_i at $T_A = 71^\circ\text{C}$ (HP3060 and HP8060)

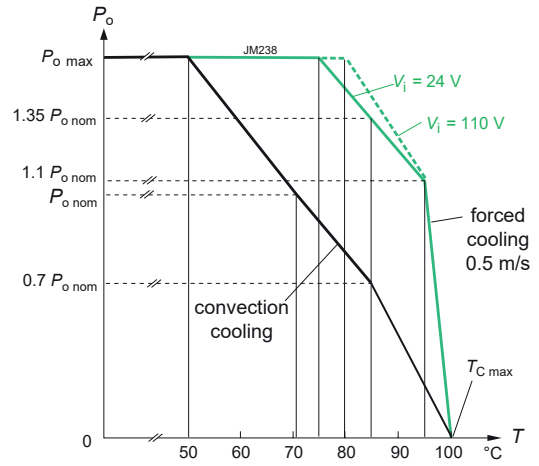


Fig. 14
Output Power derating versus T_A and with forced air cooling

Auxiliary Functions

Inhibit Function

The PUL input (pin 28) can also be used as shutdown (for the PUL function see table 3). The response time t_r is specified in table 2; t_{hu} is the interruption time (10 ms).

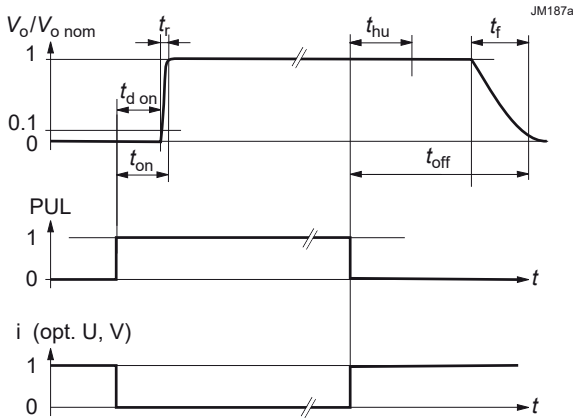


Fig. 15
Typical output response to the PUL-signal (used as inhibit) or to the inhibit signal with option U or V

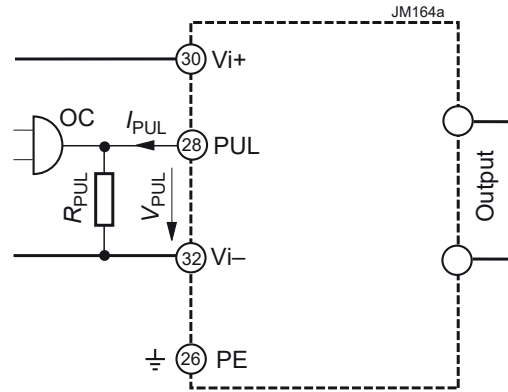


Fig. 16
Circuit for the inhibit function (not with options U, V)

The current coming out from pin 28 (PUL) is typ. 0.6 mA (<1 mA). If pin 28 is left open-circuit, the voltage is 5 V. The converter is disabled when V_{PUL} is ≤ 0.7 V.

Note: For converters with opt. U or V, see *Primary Inhibit for Option U and V* (page 26).

Current Share Function

If the T-pins of parallel-connected single-output powertrains are linked together, the powertrains share their output current evenly. Refer to section *Parallel and Series Connection*.

Output Voltage Adjust of V_{o1} and V_{o4}

Note: With open R-input, $V_o = V_{o,nom}$.

The converters allow for adjusting the output voltage of powertrain 1. Powertrain 2 cannot be adjusted, except for single-output converters. Programming is performed by an external resistor R_{ext1} or R_{ext2} , connected to the R-input. The adjust range is limited to the values given in table *Electrical Output Data*.

With double-output powertrains, both outputs V_{o1} and V_{o4} are influenced by the R-input setting simultaneously.

Adjustment of V_o (or V_{o1}) is possible by means of an external resistor R_{ext} . V_{o4} is tracking the voltage V_{o1} . The trim range of V_o (or V_{o1}) is specified in table 5 as $V_{o,tr}$.

Depending on the value of the required output voltage, the resistor shall be connected:

either: Between the R-pin and S– (or Vo1–) to adjust the output voltage to a value below $V_{o,nom}$:

$$R_{ext1} \approx 4 \text{ k}\Omega \cdot \frac{V_o}{V_{o,nom} - V_o}$$

or: Between the R-pin and S+ (or Vo1+) to adjust the output voltage to a value greater than $V_{o,nom}$:

$$R_{ext2} \approx 4 \text{ k}\Omega \cdot \frac{(V_o - 2.5 \text{ V})}{2.5 \text{ V} \cdot (V_o/V_{o,nom} - 1)}$$

Note: Adjustment by an external voltage source is not recommended.

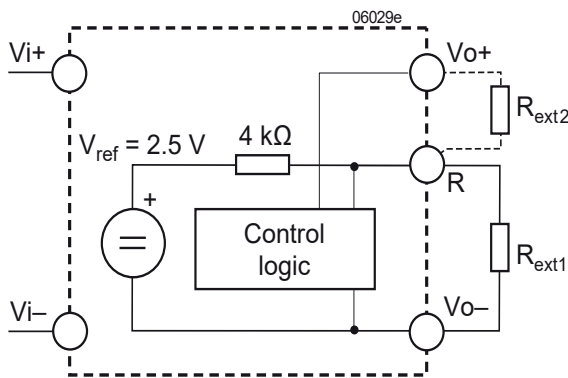


Fig. 17
Output voltage control by means of the R-input

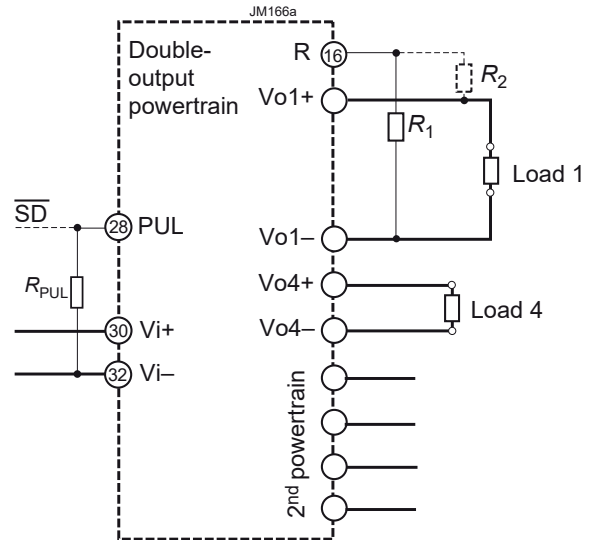


Fig. 18
Output adjust of V_{o1} and V_{o4} using R_{ext1} . The other outputs are not influenced.

Sense Lines

Important: Sense lines should always be connected. Incorrectly connected sense lines may damage the converter. If sense pins are left open-circuit, the output voltages are not accurate.

This feature enables compensation of voltage drop across the connector contacts and the load lines including ORing diodes in true redundant systems.

Applying generously dimensioned cross-section load leads avoids troublesome voltage drop. To minimize noise pick-up, wire sense lines parallel or twisted to the respective output line. To be sure, connect the sense lines directly at the female connector.

The voltage difference between any sense line and its respective power output pin (as measured on the connector) should not exceed the following values at nominal output voltage.

Table 6: Voltage compensation allowed using sense lines

| Output type | Total drop | Negative line drop |
|-----------------|------------|--------------------|
| 5.1 V Output | < 0.5 V | < 0.25 V |
| 12, 15 V Output | < 1.0 V | < 0.5 V |

LEDs and Out OK Monitor

When the input voltage is in range, the green LED "In OK" is shining provided that the inhibit function is not activated.

The voltage(s) of the main output(s) are monitored. When the main outputs are in range, the LED "Out OK 1" and "Out OK 2" are activated.

In addition a galvanically isolated open-collector signal "Out OK" is generated. This function is not adjustable, but if the R-input is used to adjust V_o , the trigger levels are tracking.

The open collector output is conducting, if the monitored conditions are fulfilled (tolerances typ. $\pm 3\%$). Otherwise, the input voltage is out of limits or the output current is too high.

$$\text{Dimensioning of resistor value } R_p \geq \frac{V_p}{50 \text{ mA}}$$

Caution: The Out OK circuit is protected by a Zener diode. To prevent damage, the applied current I_{OK} should be limited to ± 50 mA. The Zener diode should not be exposed to more than 0.25 W.

Table 7: Output OK data

| Characteristics | Conditions | min | typ | max | Unit |
|-----------------|----------------|-----|-----|-----|---------|
| V_{OK} | Out-OK voltage | | 0.8 | 1.5 | V |
| I_{OK} | Out-OK current | | | 30 | μ A |

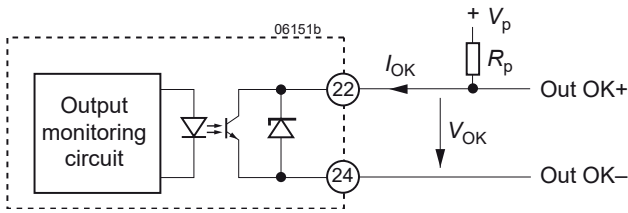


Fig. 19
Output OK circuit

All outputs are protected by an individual suppressor diode. In addition, the main outputs are monitored. In the case of an overvoltage (caused by a defect), the monitoring circuit resets the PWM logic and the output voltage.

Electromagnetic Compatibility (EMC)

The HP Series was successfully tested to the following specifications:

Electromagnetic Immunity

Table 8: Electromagnetic immunity (type tests)

| Phenomenon | Standard | Level | Coupling mode ¹ | Value applied | Waveform | Source imped. | Test procedure | In oper. | Perf. crit. ² |
|------------------------------------|------------------|----------------|----------------------------|----------------------|---|-----------------|---|----------|--------------------------|
| Electrostatic discharge (to case) | IEC/EN 61000-4-2 | 4 ³ | contact discharge | 8000 V _p | 1/50 ns | 330 Ω 150 pF | 10 pos. & 10 neg. discharges | yes | A |
| | | | air discharge | 15000 V _p | | | | | |
| Electromagnetic field | IEC/EN 61000-4-3 | x ⁴ | antenna | 20 V/m | AM 80% / 1 kHz | N/A | 80 – 800 MHz | yes | A |
| | | | antenna | 20 V/m | AM 80% / 1 kHz | N/A | 800 – 1000 MHz | yes | A |
| | | 10 V/m | | 1400 – 2000 MHz | | | | | |
| | | 5 V/m | | 2000 – 2700 MHz | | | | | |
| 3 V/m | 5100 – 6000 MHz | | | | | | | | |
| Electrical fast transients / burst | IEC/EN 61000-4-4 | 3 ⁶ | capacitive, o/c | ±2000 V _p | bursts of 5/50 ns; 2.5 / 5 kHz over 15 ms; burst period: 300 ms | 50 Ω | 60 s positive 60 s negative transients per coupling mode | yes | A |
| | | 4 | i/c, +i/-i, direct | ±4000 V _p | | | | | |
| Surges | IEC/EN 61000-4-5 | 3 ⁷ | i/c | ±2000 V _p | 1.2 / 50 μs | 42 Ω 0.5 μF | 5 pos. & 5 neg. surges per coupling mode | yes | A |
| | | | +i/-i | ±1000 V _p | | | | | |
| Conducted disturbances | IEC/EN 61000-4-6 | 3 ⁸ | i, o, signal wires | 10 VAC (140 dBμV) | AM 80% / 1 kHz | 150 Ω | 0.15 – 80 MHz | yes | A |
| Power frequency magnetic field | IEC/EN 61000-4-8 | 3 ⁹ | - | 300 A/m | | | 60 s in all 3 axes | yes | A |

¹ i = input, o = output, c = case

² A = normal operation, no deviation from specs; B = normal operation, temporary loss of function or deviation from specs possible

³ Exceeds EN 50121-3-2:2016 table 5.3 and EN 50121-4:2016 table 2.4.

⁴ Corresponds to EN 50121-3-2:2016 table 5.1 and exceeds EN 50121-4:2016 table 2.1.

⁵ Corresponds to EN 50121-3-2:2016 table 5.2 and EN 50121-4:2016 table 2.2 (compliance with digital communication devices).

⁶ Corresponds/exceeds EN 50121-3-2:2016 table 3.2 and EN 50121-4:2016 table 4.2.

⁷ Covers EN 50121-3-2:2016 table 5.3 and EN 50121-4:2016 table 4.3.

⁸ Corresponds to EN 50121-3-2:2016 table 3.1 and EN 50121-4:2016 table 4.1 (radio frequency common mode).

⁹ Corresponds to EN 50121-4:2016 table 2.3.

Electromagnetic Emissions

All conducted emissions (fig. 20) have been tested according to EN 55011, group 1, class A. These limits are much stronger than requested in EN 50121-3-2:2016, table 2.1, and coincide with EN 50121-4:2016, table 1.1. The limits in fig. 20 apply to quasipeak values, which are always lower than peak values.

In addition, the values for average must keep a limit 10 dB μ V below the limits in fig. 20 (not shown).

Radiated emissions have been tested according to EN 55011, group 1, class A. These limits are similar to the requirements of EN 50121-3-2:2016 and EN 50121-4:2016, both calling up EN 61000-6-4+A1:2011, table 1. The tests were executed with horizontal and vertical polarization. The worse result is shown in fig. 21.

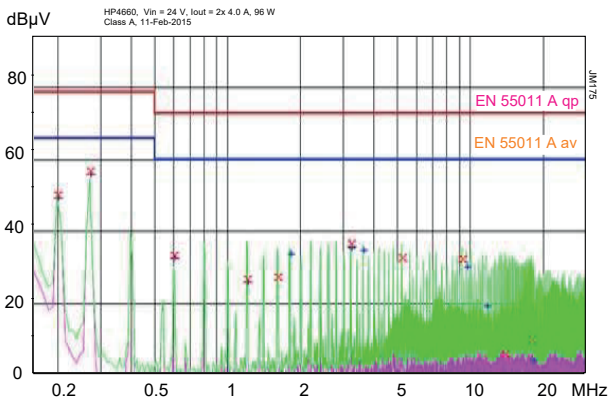


Fig. 20a
 HP4660: Typ. disturbance voltage at the input
 ($V_i = 24\text{ V}$, $I_{i\text{nom}}$, resistive load, quasi peak and average).

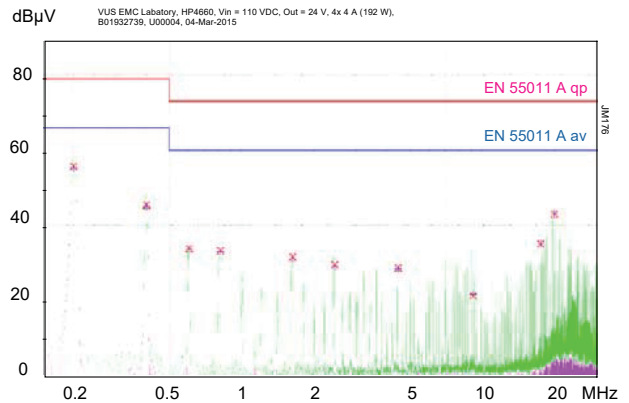


Fig. 20b
 HP4660: Typical disturbance voltage at the input
 ($V_i = 110\text{ V}$, $I_{i\text{nom}}$, resistive load, quasi peak and average).

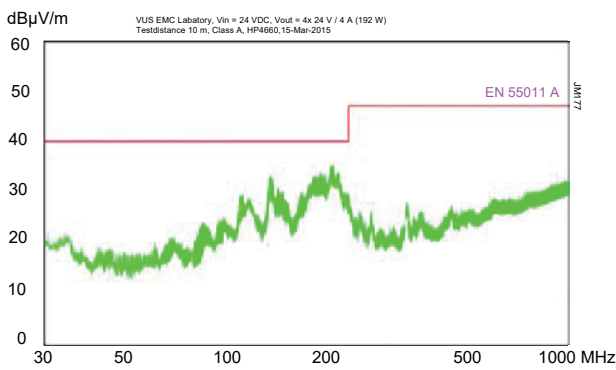


Fig. 21a
 HP4660: Typ. radiated disturbances in 10 m distance
 ($V_i = 24\text{ V}$, $I_{i\text{nom}}$, resistive load, quasi peak).

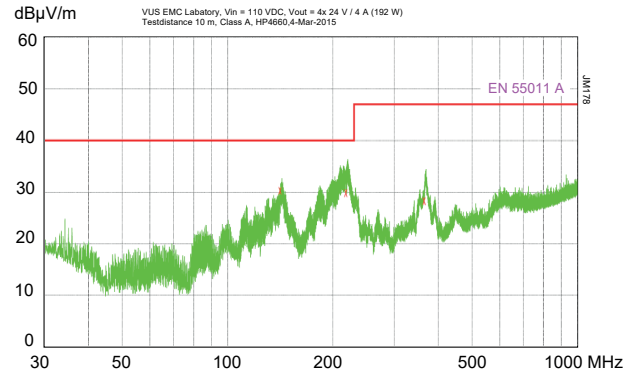


Fig. 21b
 HP4660: Typ. radiated disturbances in 10 m distance
 ($V_i = 110\text{ V}$, $I_{i\text{nom}}$, resistive load, quasi peak).

Immunity to Environmental Conditions

Table 9: Mechanical and climatic stress

| Test method | | Standard | Test Conditions | Status |
|-------------|--|--|--|-------------------------|
| Cab | Damp heat steady state | IEC/EN 60068-2-78 MIL-STD-810D section 507.2 | Temperature: 40 ^{±2} °C Relative humidity: 93 ^{+2/-3} % Duration: 56 days | Converter not operating |
| Db | Damp heat test, cyclic | EN 50155:2017, clause 13.4.7 IEC/EN 60068-2-30 | Temperature: 55 °C and 25 °C Cycles (respiration effect) 2 Duration: 2x 24 h | Converter not operating |
| Be | Dry heat test steady state | EN 50155:2017, clause 13.4.5 ST1, IEC/EN 60068-2-2 | Temperature: 70 °C (85 °C) Duration: 6 h (10 min) | Converter operating |
| Ad | Cooling test steady state | EN 50155:2017, clause 13.4.4 IEC/EN 60068-2-1 | Temperature, duration: -40 °C, 2 h Performance test: +25 °C | Converter not operating |
| - | Low temperature storage test | EN 50155:2017, clause 13.4.6 IEC/EN 60068-2-1 | Temperature, duration then start-up: -40 °C, 16 h | Converter not operating |
| Na | Thermal shock | IEC/EN 60068-2-14 | Temperature, duration: -58 °C, 1 h Temperature, duration: 108 °C, 1 h | Converter not operating |
| Ka | Salt mist test sodium chloride (NaCl) solution | EN 50155:2017, clause 13.4.10 IEC/EN 60068-2-11 | Temperature: 35 ^{±2} °C Duration: 48 h | Converter not operating |
| Fc | Vibration (sinusoidal) | IEC/EN 60068-2-6 MIL-STD-810D section 514.3 | Acceleration amplitude: 0.35 mm (10 – 60 Hz) 5 g _n = 49 m/s ² (60 - 2000 Hz) Frequency (1 Oct/min): 10 – 2000 Hz Test duration: 7.5 h (2.5 h in each axis) | Converter operating |
| Fh | Random vibration broad band (digital control) & guidance | IEC/EN 60068-2-64 | Acceleration spectral density: 0.05 g _n ² /Hz Frequency band: 8 – 500 Hz Acceleration magnitude: 4.9 g _{n,rms} Test duration: 1.5 h (0.5 h in each axis) | Converter operating |
| Ea | Shock (half-sinusoidal) | IEC/EN 60068-2-27 MIL-STD-810D section 516.3 | Acceleration amplitude: 50 g _n = 490 m/s ² Bump duration: 11 ms Number of bumps: 18 (3 in each direction) | Converter operating |
| | Shock | EN 50155:2017, clause 13.4.11 EN 61373 sect. 10 class B, body mounted ¹ | Acceleration amplitude: 5.1 g _n Bump duration: 30 ms Number of bumps: 18 (3 in each direction) | Converter operating |
| | Simulated long life testing at increased random vibration levels | EN 50155:2017, clause 13.4.11 EN 61373 sect. 8 and 9 class B, body mounted ¹ | Acceleration spectral density: 0.02 g _n ² /Hz Frequency band: 5 – 150 Hz Acceleration magnitude: 0.8 g _{n,rms} Test duration: 15 h (5 h in each axis) | Converter operating |

¹ Body mounted = chassis of a railway coach

Temperatures

Table 10: Temperature specifications, valid for an air pressure of 800 – 1200 hPa (800 – 1200 mbar)

| Model | | Conditions | -9 (standard) | | | Unit |
|-----------------|---------------------|--|---------------|-----|------------------|------|
| Characteristics | | | min | typ | max | |
| T_A | Ambient temperature | Converter operating convection cooled, V_{1nom} , $I_{o nom}$ | - 40 | | 71 ¹ | ° C |
| T_C | Case temperature | | - 40 | | 100 ² | |
| T_S | Storage temperature | Not operational | - 55 | | 85 | |

¹ Operation with $P_{o.50}$ requires reduction to $T_A \leq 50$ °C; see *Thermal Considerations*.

² Over temperature shutdown at $T_C > 100$ °C (NTC)

Reliability

Table 11: MTBF and device hours

| Ratings at specified case temperature between failures ¹ | Model | MTBF | Environmental conditions | Demonstrated hours ² |
|--|--------|-----------|-----------------------------|------------------------------------|
| Accord. to IEC 62380 | HP3060 | 950 000 h | non interface ³ | |

¹ Profile: Permanent Phase, 365 cycles per year. delta T / Cycle –36 °C, 13 °C Tae (average outside ambient temperature), 45 °C Tac (average temperature inside system), Tau – 0.57 (annual ratio of time in permanent working model at Tac temperature)

² Statistical values, based upon an average of 4300 working hours per year and in general field use over 5 years; upgrades and customer-induced errors are excluded.

³ Power supply is not in direct contact with the final application.

Mechanical Data

The converters are designed to be inserted in a 19" rack according to IEC 60297-3. Dimensions in mm.

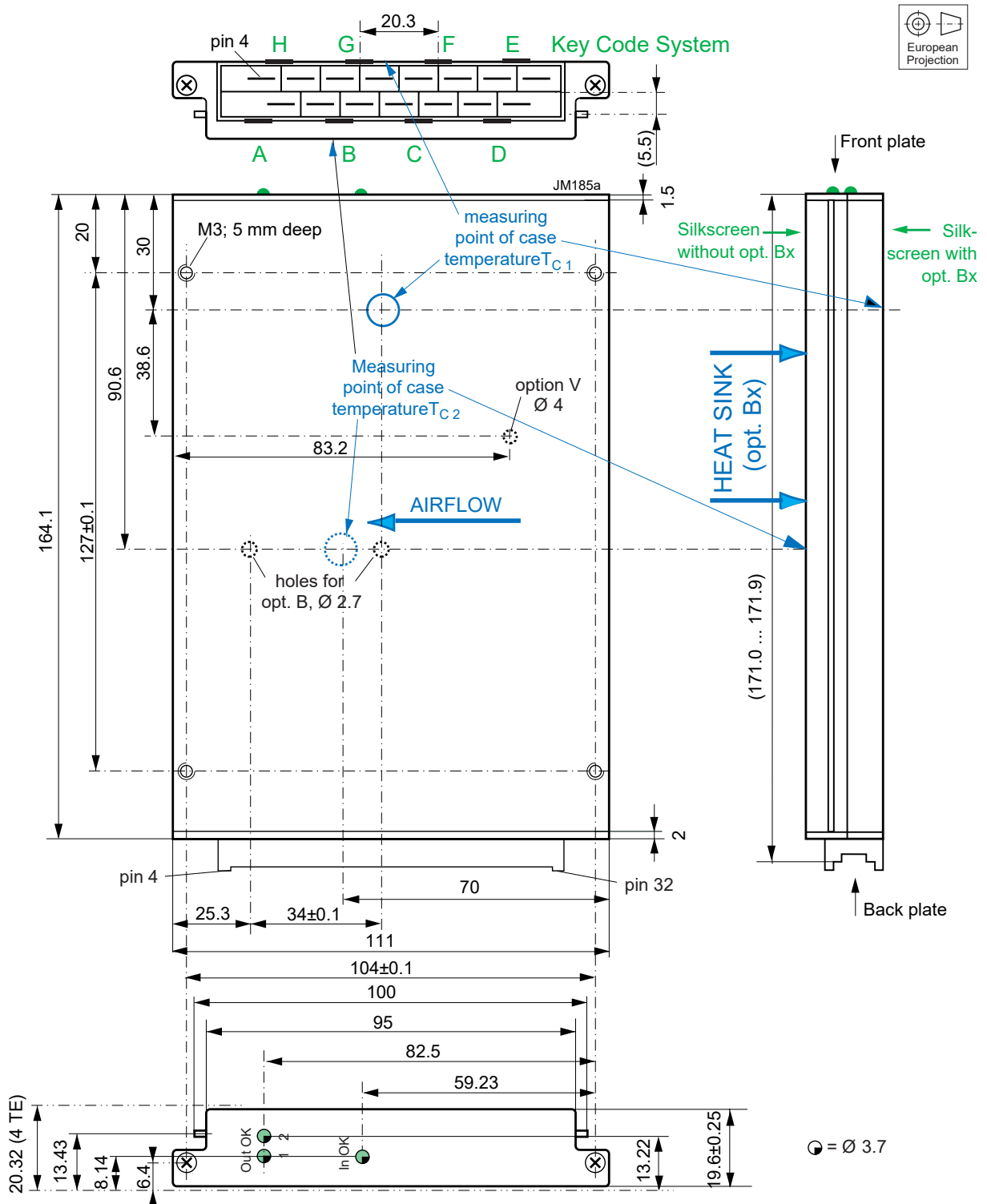


Fig. 22:
Case Q05, weight approx. 500 g
Aluminum, fully enclosed, black, EP powder coated

Note: Long case, elongated by 60 mm for a 220 mm rack depth, is available on request: Add 5000 to the part number.

Safety and Installation Instructions

Connector Pin Allocation

The connector pin allocation table defines the electrical potentials and the physical pin positions on the H15 connector. Pin 26, protective earth, is a leading pin to ensure that it makes contact with the female connector first.

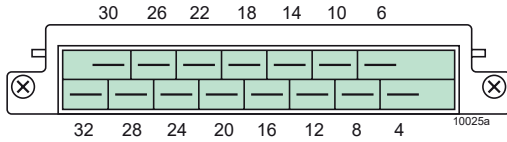






Fig. 23
View of male standard H15 connector.
Code Key positions are shown in fig. 22.

Note: High currents require a large cross-sectional area of the connections to the female contacts. We recommend solder or screw terminal contacts. Each faston connection exhibits a resistance of max. 8 mΩ (typ. 4 mΩ).

Table 12: Pin allocation

| Pin | HP1000 | | HP2000 | | HP3000 | | HP4000 | |
|-----|---|----------------------|---|----------------------------|---|----------------------------|---|----------------------|
| 4 | Vo+ | Output 1 pos. | Vo1+ | Output 1 pos. | Vo1+ | Output 1 pos. | Vo1+ | Output 1 pos. |
| 6 | Vo+ | Output 1 pos. | Vo2+ | Output 2 pos. | Vo2+ | Output 2 pos. | Vo2+ | Output 2 pos. |
| 8 | Vo- | Output 1 neg. | Vo1- | Output 1 neg. | Vo1- | Output 1 neg. | Vo1- | Output 1 neg. |
| 10 | Vo- | Output 1 neg. | Vo2- | Output 2 neg. | Vo2- | Output 2 neg. | Vo2- | Output 2 neg. |
| 12 | S+ | Sense + ² | S1+ | Sense 1 + ² | S1+ | Sense 1 + ² | Vo4+ | Output 4 pos. |
| 14 | S- | Sense - ² | S1- | Sense 1 - ² | S1- | Sense 1 - ² | Vo4- | Output 4 neg. |
| 16 | R | Adjust of V_o | R | Adjust of V_{o1} | R | Adjust of V_{o1} | R | Adjust of $V_{o1/4}$ |
| | | | T ¹ | Current share ¹ | T ¹ | Current share ¹ | | |
| 18 | T | Current share | S2+ | Sense 2 + ² | Vo3+ | Output 3 pos. | Vo3+ | Output 3 pos. |
| 20 | n.c. | Not connected | S2- | Sense 2 - ² | Vo3- | Output 3 neg. | Vo3- | Output 3 neg. |
| 22 | OK+ | Out OK + | OK+ | Out OK + | OK+ | Out OK + | OK+ | Out OK + |
| 24 | OK- | Out OK - | OK- | Out OK - | OK- | Out OK - | OK- | Out OK - |
| 26 |  | Prot. earth PE |  | Prot. earth PE |  | Prot. earth PE |  | Prot. earth PE |
| 28 | PUL (i) ³ | PUL or inhibit | PUL (i) ³ | PUL or inhibit | PUL (i) ³ | PUL or inhibit | PUL (i) ³ | PUL or inhibit |
| 30 | Vi+ | Input pos. | Vi+ | Input pos. | Vi+ | Input pos. | Vi+ | Input pos. |
| 32 | Vi- | Input neg. | Vi- | Input neg. | Vi- | Input neg. | Vi- | Input neg. |

¹ Option T is available for single-output powertrains only. The T-function influences I_{o1} only. It is standard for single-output models.

² Sense lines are only available for single-output powertrains. With double-output power trains, these pins are not connected.

³ Pin 28 is the primary inhibit for models with options U or V. For other models it is the PUL function.

Installation Instructions

These converters are components, intended exclusively for inclusion within other equipment by an industrial assembly process or by a professionally competent person. Installation must strictly follow the national safety regulations in respect of the enclosure, mounting, creepage distances, clearances, markings and segregation requirements of the end-use application.

Connection to the system shall be made via the female connector H15 (see *Accessories*). Other installation methods may not meet the safety requirements. Check for hazardous voltages before altering any connections. Pin 26 (PE) is a leading pin and is reliably connected to the case. For safety reasons it is essential to connect this pin to the protective earth.

No fuse is incorporated in the converter. An external circuit breaker or a fuse in the wiring to one or both input pins (no. 30 and/ or no. 32) are necessary to ensure compliance with local requirements.

Do not open the converters, or the warranty will be invalidated. Make sure that there is sufficient airflow available for convection cooling. This should be verified by measuring the case temperature at the specified measuring point, when the converter is operated in the end-use application. $T_{C_{max}}$ should not be exceeded. Ensure that a failure of the converter does not result in a hazardous condition.

Standards and Approvals

The HP Series converters are safety-approved according to the latest edition of IEC/EN 62368-1 3rd edition and UL/CSA 62368-1 3rd edition.

They have been evaluated for:

- Class I equipment
- Building in
- Double or reinforced insulation based on 250 VAC or 240 VDC between input and output and between input and auxiliary circuits
- Overvoltage category II
- Pollution degree 2 environment
- The converters fulfill the requirements of a fire enclosure.

The converters are subject to manufacturing surveillance in accordance with the above mentioned safety standards and with ISO 9001:2015, IRIS ISO/TS 22163:2017 certified quality and business management system.

Cleaning Liquids and Protection Degree

The converters are not hermetically sealed. In order to avoid possible damage, any penetration of liquids shall be avoided.

The converters correspond to protection degree IP 40 (IP 20 for units equipped with option V), provided that the female connector is fitted to the converter.

Railway Applications

The HP Series converters have been designed observing the railway standards EN 50155:2017 and EN 50121-3-2:2016.

All boards are coated with a protective lacquer.

The converters fulfil the requirements of the fire safety standard EN 45545-2, hazard levels HL1 to HL3.

Isolation

The electric strength test is performed in the factory as routine test in accordance with EN 62911 and IEC/EN 62368-1 3rd edition and should not be repeated in the field. The Company will not honor warranty claims resulting from incorrectly executed electric strength tests.

Table 13: Isolation

| Characteristics | | Input to | | Outputs to Case | Output to Output | Out OK signals to | | | Unit |
|------------------------|--|----------------------|-------------------|-----------------|-------------------------|-------------------|------|---------|------|
| | | Outputs ¹ | Case + Outputs | | | Input | Case | Outputs | |
| Electric strength test | Factory test 10 s | 4.2 | 2.86 | 1.0 | 1.0 / 0.75 ³ | 2.86 | 1.0 | 0.75 | kVDC |
| | AC test voltage equivalent to factory test | 3.0 | 2.0 | 0.7 | 0.7 / 0.5 ³ | 2.0 | 0.7 | 0.5 | kVAC |
| Insulation resistance | | >300 ² | >300 ² | >100 | >100 | >300 ² | >100 | >100 | MΩ |
| Creepage distances | | 5.0 | 3.5 | 1.5 | 1.0 / 0.5 ³ | 3.5 | 1.5 | 1.0 | mm |

¹ Pretest of subassemblies in accordance with IEC/EN 62368-1 3rd edition

² Tested at 500 VDC

³ Second value between outputs of the same powertrain

Description of Options

Option T: Active Current Sharing

For single-output powertrains only. The current-share function should be used, when several powertrains are operated in parallel. Examples could be high reliability n+1 redundant systems or systems providing higher output power.

Using this feature reduces the stress of individual converters and improves the reliability of the system. Interconnection of the current-sharing pins T causes the converters to share their output currents evenly.

In redundant systems, the outputs of the converters have to be decoupled by ORing diodes. Consequently, a failure of one converter will not lead to a system failure.

To ensure correct operation of the current-share function, the installer must ensure that the S– pins of all parallel converters are at the same electrical potential and that there are no voltage drops across the connecting lines between these pins.

Double-output converters with outputs connected in series can also be paralleled with current sharing, if pins Vo1– of all converters are connected together; see fig. 9.

If the output voltages of parallel connected single-output converters are programmed to a voltage other than $V_{o,nom}$ by means of the R-pin, the outputs should be adjusted individually within a tolerance of $\pm 1\%$.

Note: The T-function influences V_{o1} only.

Option U: Preadjusted Undervoltage Lockout UVL

For compatibility with former P Series converters, the start-up and the shutdown voltage are preadjusted depending on the nominal battery voltage. In addition, pin 28 (i) is used as inhibit; refer to the clause *Primary Inhibit* below.

Table 14 defines the start-up and shutdown voltages. For the recommended fuses, refer to table 3.

Option V: Rotary Switch to Adjust UVL

Converters with option V allow for adjustment of the shutdown voltage by means of a 4 position rotary switch, accessible through a hole in the case. In addition, pin 28 (i) is used as inhibit; refer to the clause *Primary Inhibit* below.

Table 14 defines the start-up and shutdown voltages. For the recommended fuses, refer to table 3. The rotary switch is set in the factory to position D.

Primary Inhibit for Option U and V

This inhibit (pin 28) input enables (logic low) or disables (logic high or open-circuit) the output. In systems consisting of several converters, this feature may be used to control the activation sequence by logic signals or to enable the power source to start up, before full load is applied.

The output response is shown in fig. 14.

Note: If this function is not used, pin 28 must be connected with pin 32, otherwise the internal logic will disable the output.

Table 14: UVL specification (typ.) for option U and V

| Battery | Option U | Position (Opt. V) | $V_{i,min}$ (on/off) | |
|-------------------|----------|-------------------|----------------------|---------------------|
| 24 V | U14 | A | 14.9 V | 12.5 V ¹ |
| 36 V | U21 | B | 21.3 V | 17 V |
| 72 V ³ | U42 | C | 43 V | 34 V |
| 110 V | U70 | D ² | 71 V | 56 V |

¹ for ≤ 2 s

² factory setting

³ also for 96 V battery

Table 15: Inhibit characteristics (models with option U or V)

| Characteristics | | Conditions | min | typ | max | Unit |
|-----------------|-----------------|--|-------------------------|------------------------|-----|------|
| V_{inh} | Inhibit Voltage | $V_o = on$ | $V_{i,min} - V_{i,max}$ | -1.0 | 0.8 | °C |
| | | $V_o = off$ | $T_{C,min} - T_{C,max}$ | +2.4 | 50 | |
| I_{inh} | Inhibit Current | $V_{inh} = 0$ V $V_{inh} = 5$ V $V_{inh} = 50$ V | | -0.01 -0.06 -0.2 | | |

Option B0, B1, B3: Heat Sink

The converter is fitted with an additional heat sink.

Table 16: Thermal resistance of the case (approx. values)

| Case | Thermal resistance | Thickness of case |
|-----------------------|--------------------|-------------------|
| Standard, 160 mm long | 1.6 K/W | < 20 mm |
| Case, 220 mm long | 1.4 K/W | < 20 mm |
| Option B0 | 1.5 K/W | < 30 mm |
| Option B1 | 1.4 K/W | < 40 mm |
| Option B3 | 1.2 K/W | < 50 mm |

¹ Add 5000 to the part number.

Accessories

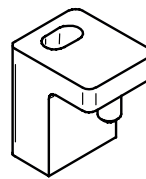
A variety of electrical and mechanical accessories is available:

- Mating connectors including faston, screw, solder, or press-fit terminals; see Mating Connectors data sheet BCD.20022.
- Front panels, system Schroff, for 19" racks in 3 U configuration 4 TE (G04-Q01), 5 TE (G05-Q01), or 6 TE (G06-Q01). Similar panels system Intermas available.
- Front panels, system Schroff, for 19" racks in 6 U configuration 5 TE (G05-6HE-Q01)
- Mechanical mounting supports for chassis, DIN-rail, and PCB mounting plate Q (HZZ01215-G) with retention clips Q (HZZ01229-G)
- Connector retention brackets CRB-Q (HZZ01217-G)
- Different cable connector housings (cable hoods)

For additional accessory product information, see the accessory data sheets listed with each product series or individual model at our website.



H15 female connector, code key system, faston, screw or other terminals



Connector retention bracket HZZ01217-G



Mounting plate Q for wall mounting (HZZ01215-G) with connector retention clips Q (HZZ01229-G)



Universal mounting bracket for DIN-rail and chassis mounting (HZZ00610-G).



Front panel kit G05-6HE-Q01 (HZZ00838) accommodating two HP units for a 19" DIN-rack with 6 U, 5 TE.

NUCLEAR AND MEDICAL APPLICATIONS - These products are not designed or intended for use as critical components in life support systems, equipment used in hazardous environments, or nuclear control systems.

TECHNICAL REVISIONS - The appearance of products, including safety agency certifications pictured on labels, may change depending on the date manufactured. Specifications are subject to change without notice.