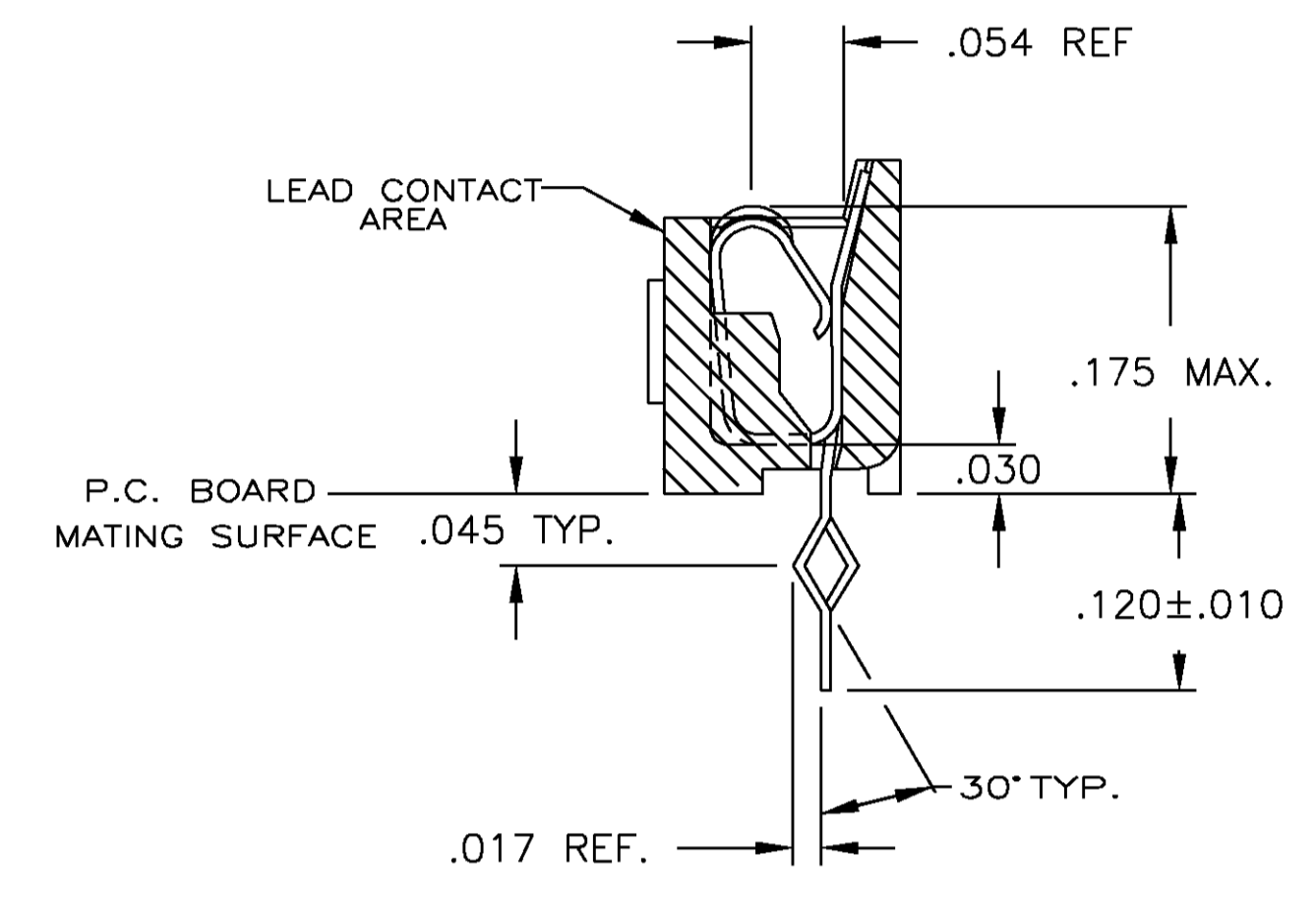
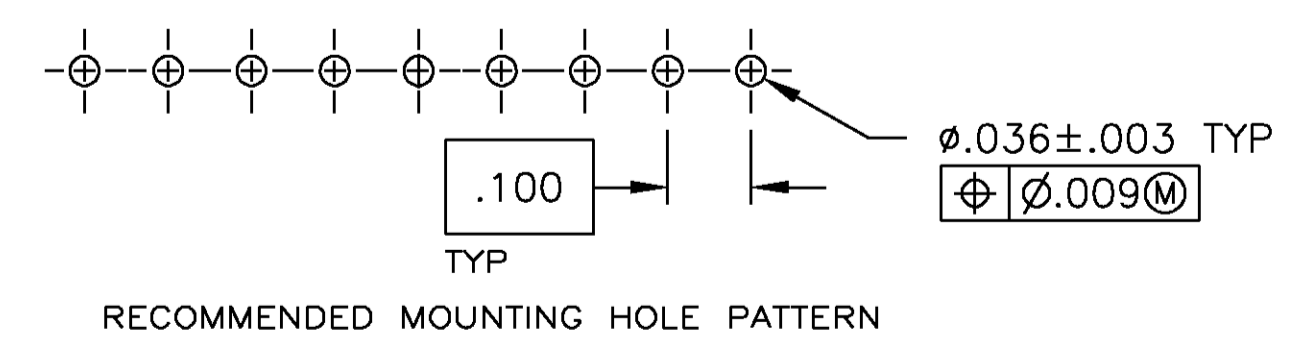
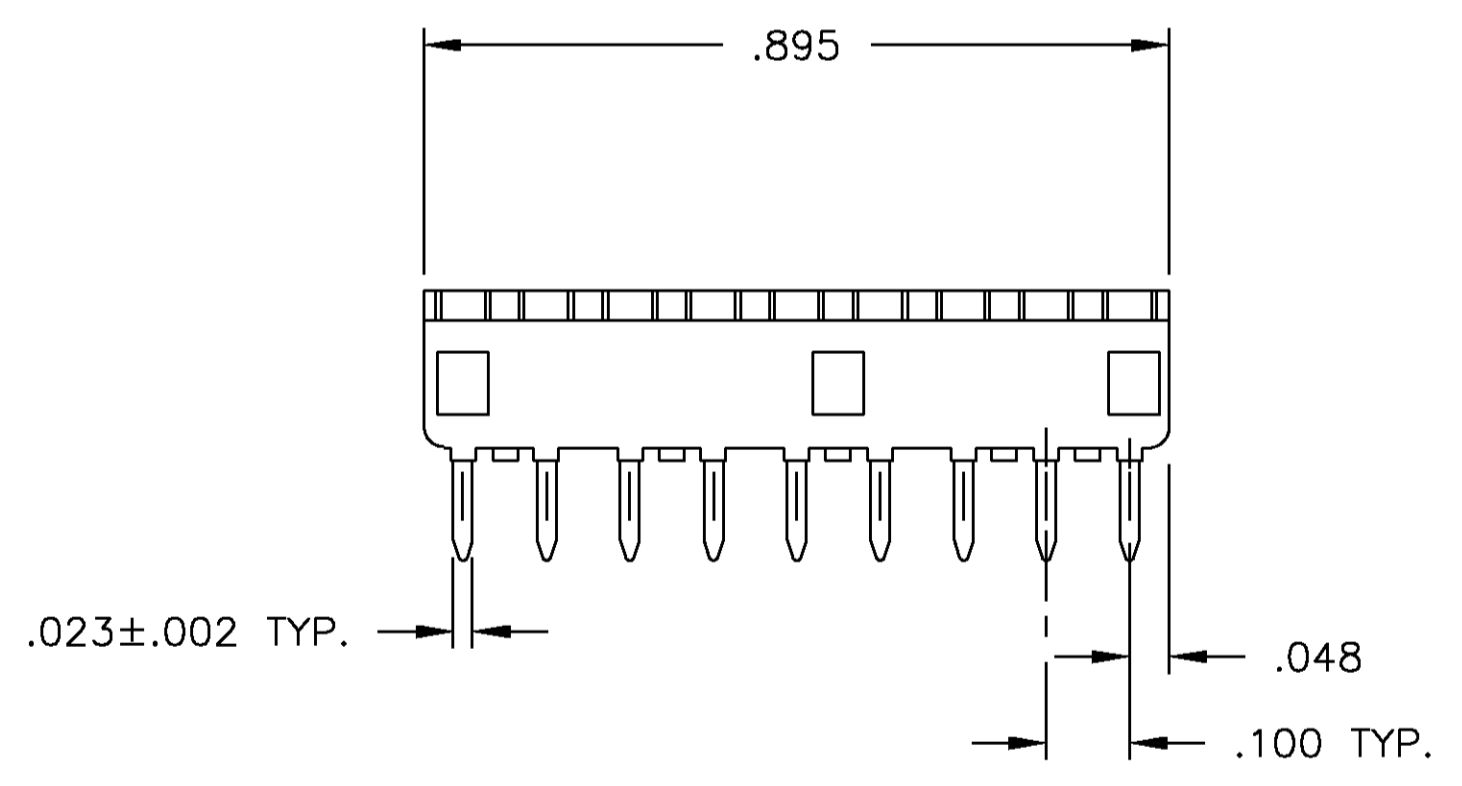
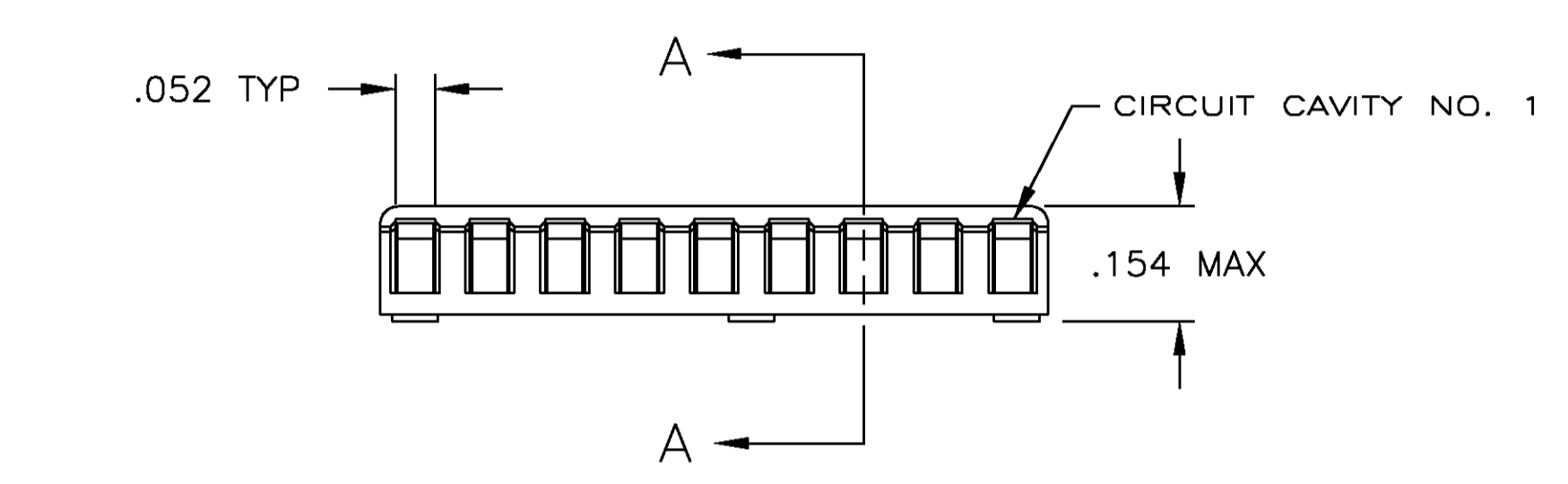
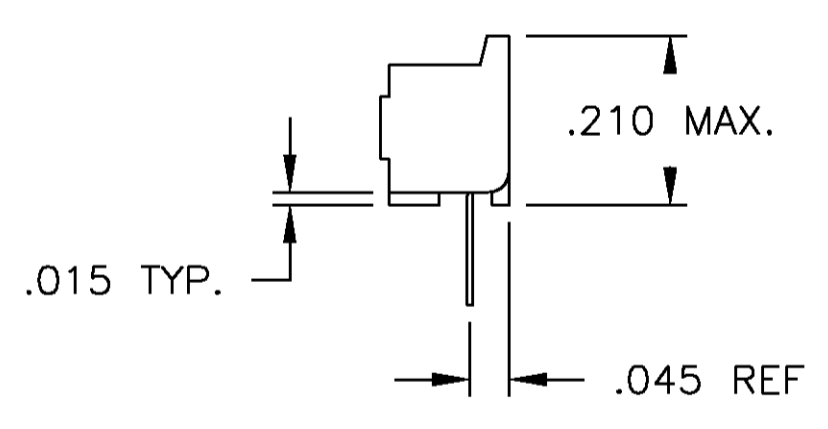


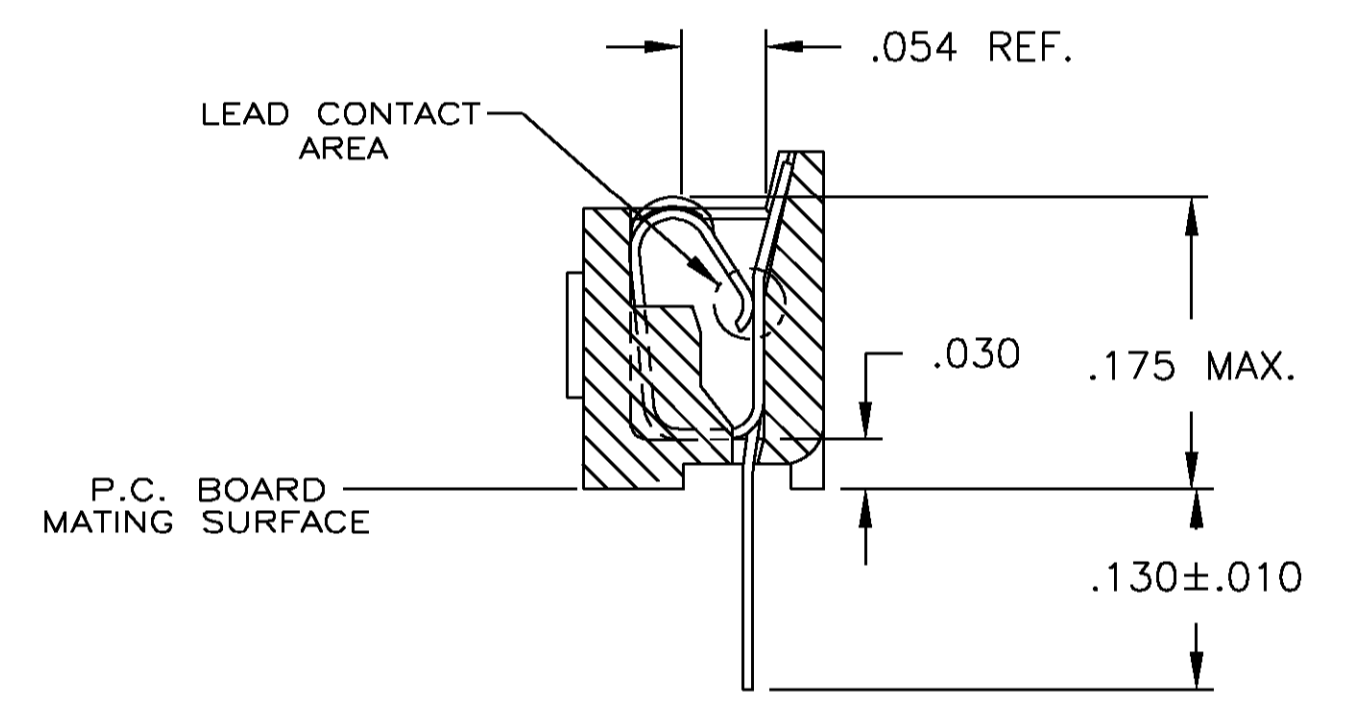
LOC		DIST		REVISIONS			
P	LN	REV	PER	DATE	BY	APPD	
M				24AUG00	BH	HW	



SECTION A-A  
ROTATED 90° CW  
SCALE 10:1  
FOR -6, -7 & -8 ONLY



- 1. RECEPTACLE ACCEPTS AN .008-.014 THK. I.C. LEAD.
- △ TWO .000030 MIN. THK. GOLD STRIPES IN CONTACT AREA, TIN-LEAD(93-7) ON CONTACT LEGS, BALANCE OF CONTACT NICKEL PLATED.
- △ TWO .000015 MIN. THK. GOLD STRIPES IN CONTACT AREA, TIN-LEAD(93-7) ON CONTACT LEGS, BALANCE OF CONTACT NICKEL PLATED.



SECTION A-A  
ROTATED 90° CW  
SCALE 10:1  
FOR -1, -2 & -3 ONLY

CONTACT FINISH	CONTACT MAT'L	HOUSING MATERIAL	PART NO.	
TINNED	PHOS.BRZ.	GLASS-FILLED THERMOPLASTIC, 94V-0, BLACK	643641-8	
OBSOLETE	BE.CU.	GLASS-FILLED THERMOPLASTIC, 94V-0, BLACK	643641-7	
TINNED	BE.CU.	GLASS-FILLED THERMOPLASTIC, 94V-0, BLACK	643641-6	
SUPSD BY 643641-2	PHOS.BRZ.	GLASS-FILLED THERMOPLASTIC, 94V-0, BLACK	643641-4	
OBSOLETE	TINNED	PHOS.BRZ.	GLASS-FILLED THERMOPLASTIC, 94V-0, BLACK	643641-3
OBSOLETE	BE.CU.	GLASS-FILLED THERMOPLASTIC, 94V-0, BLACK	643641-2	
OBSOLETE	TINNED	BE.CU.	GLASS-FILLED THERMOPLASTIC, 94V-0, BLACK	643641-1

THIS DRAWING IS A CONTROLLED DOCUMENT.		DRN M. CYRUS 8-14-84	Tyco Electronics Corporation Harrisburg, PA 17105
		OR N. JONES 7-3-84	
		APVD J. GRAY 7-10-84	SOCKET ASSY, SIP, 9 POS. DIPLOMATE DL
		PRODUCT SPEC 108-1066	
		APPLICATION SPEC 114-1049	RESTRICTED TO
		WEIGHT	
MATERIAL SEE TABLE		FINISH SEE TABLE	SCALE 5:1 SHEET 1 OF 1 REV M