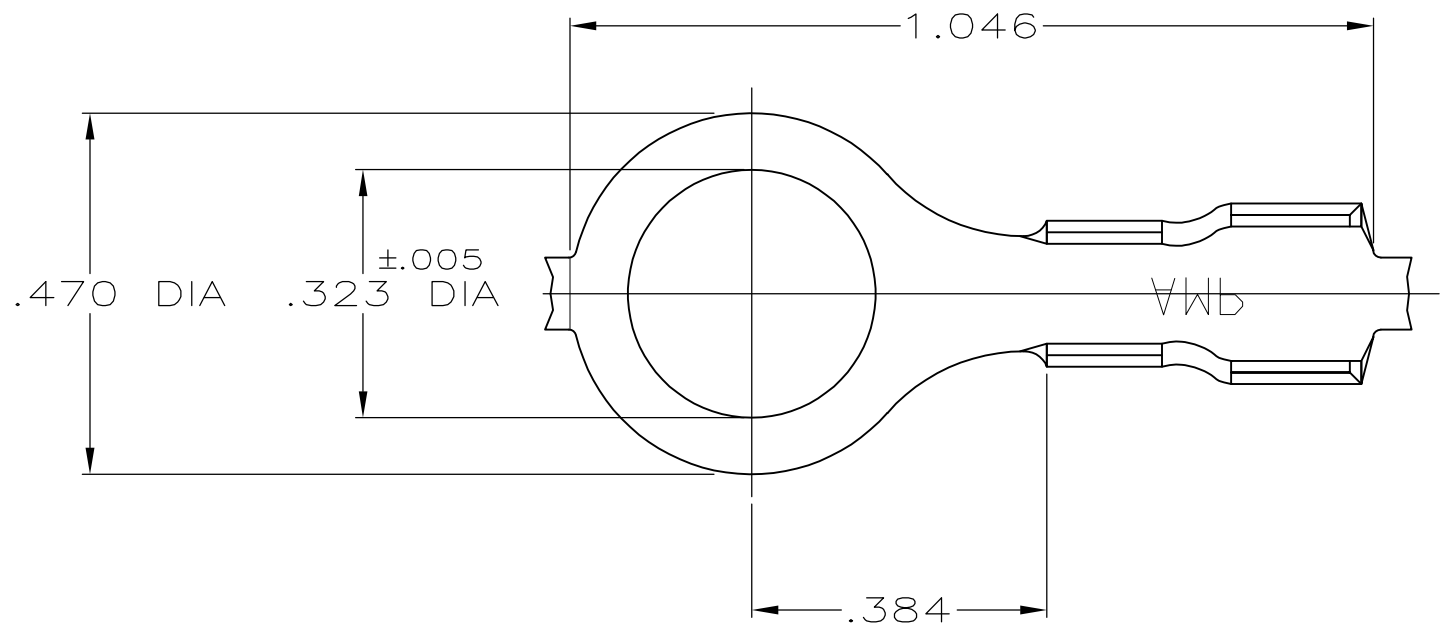
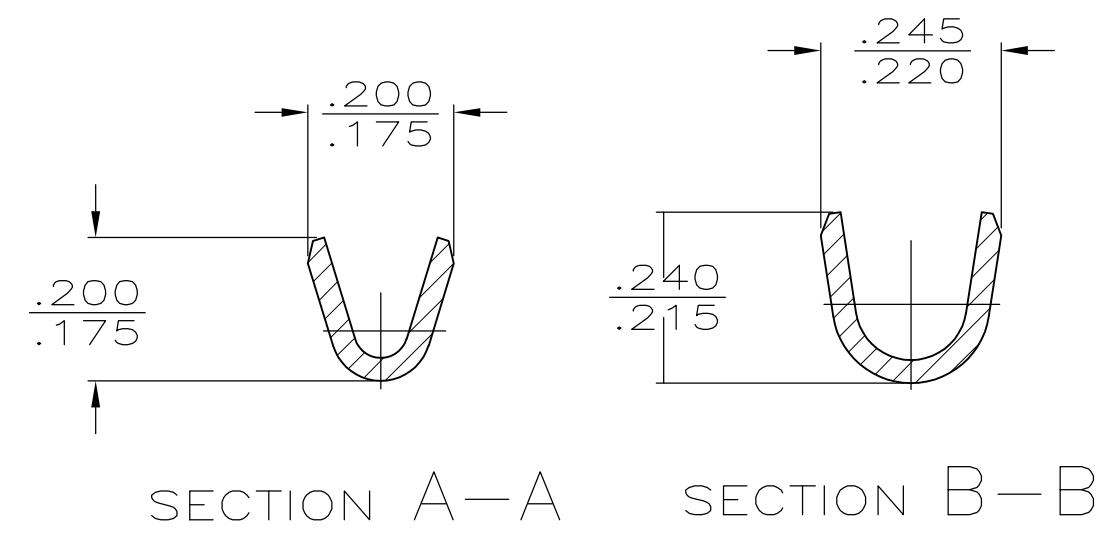
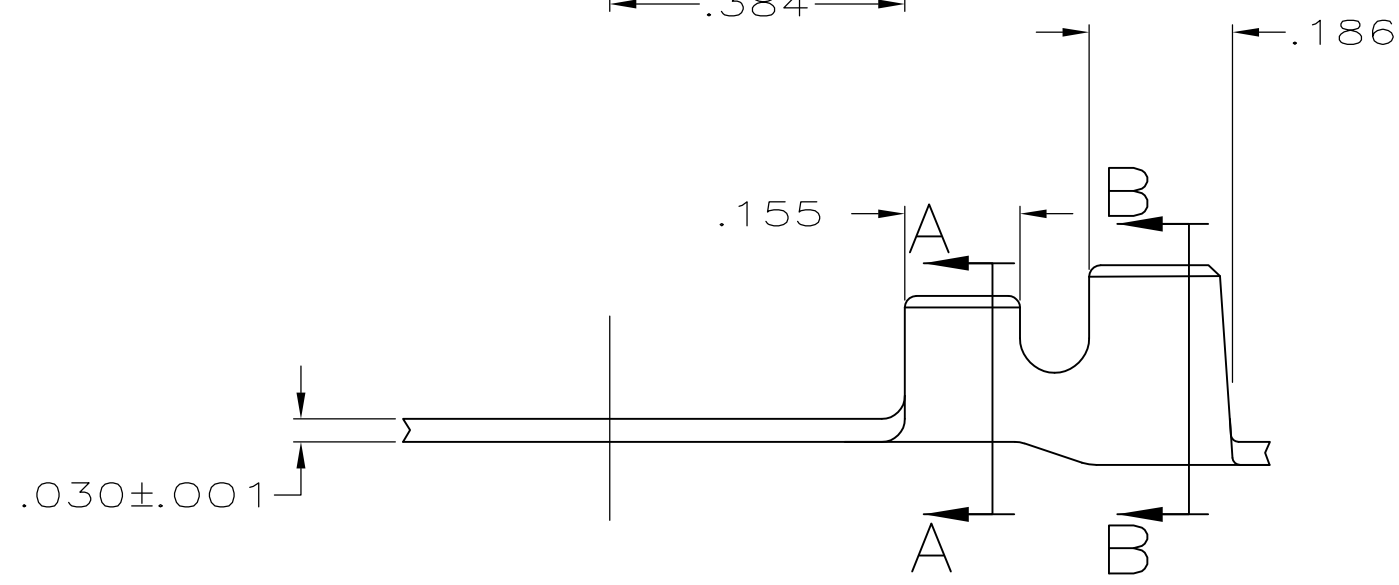


THIS DRAWING IS UNPUBLISHED. RELEASED FOR PUBLICATION
 © COPYRIGHT BY TYCO ELECTRONICS CORPORATION. ALL INTERNATIONAL RIGHTS RESERVED.

LOC	DIST	REVISIONS					
AF	50	P	LTR	DESCRIPTION	DATE	DWN	APVD
		L		REVISED PER ECR-10-006099	07JUL10	HMR	PD



1. CONTINUOUS STRIP ON REELS



TIN	.120-.180 DIA	16-14 AWG	42752-2
-			42752-1
FINISH	INSULATION RANGE	WIRE SIZE	PART NO

F or O	.210	.220	F	.155	.087	14
					.081	16
TYPE	WIDTH	STRIP LENGTH ±.015	TYPE	WIDTH	±.002 HEIGHT	WIRE
INSUL BARREL CRIMP			WIRE BARREL CRIMP			

THIS DRAWING IS A CONTROLLED DOCUMENT.

DIMENSIONS: INCHES

TOLERANCES UNLESS OTHERWISE SPECIFIED:

0 PLC ± -
 1 PLC ± -
 2 PLC ± -
 3 PLC ± .015
 4 PLC ± -
 ANGLES ± -

MATERIAL: #2 HARD BRASS

FINISH: SEE TABLE

DWN P FORTNEY 4/16/90
 CHK JR RUTH 4/16/90
 APVD G YETTER 4/16/90

Tyco Electronics Tyco Electronics Corporation
 Harrisburg, PA 17105-3608

PRODUCT SPEC: RING

APPLICATION SPEC: -

WEIGHT: -

CUSTOMER DRAWING

SIZE: A3 CAGE CODE: 00779 DRAWING NO: C-42752 RESTRICTED TO: -

SCALE: 4:1 SHEET: 1 OF 1 REV: L