

ITEM	PART#	DESCRIPTION	QTY	UOM
A	2053410203	PICO-LOCK 2.0 W/B REC HSG 3P	1	PC
B	2053425028	PICO-LOCK 2.0 W/B REC TERM PL AWG#20-22	3	PC
C	--	PAPER PRINTED PAPER WHITE	1	PC

FROM	TO	DESCRIPTION	COLOR
A1	--	1X20AWG DISC SR-PVC BK UL10002	BLACK
A2	--	1X20AWG DISC SR-PVC BK UL10002	BLACK
A3	--	1X20AWG DISC SR-PVC BK UL10002	BLACK

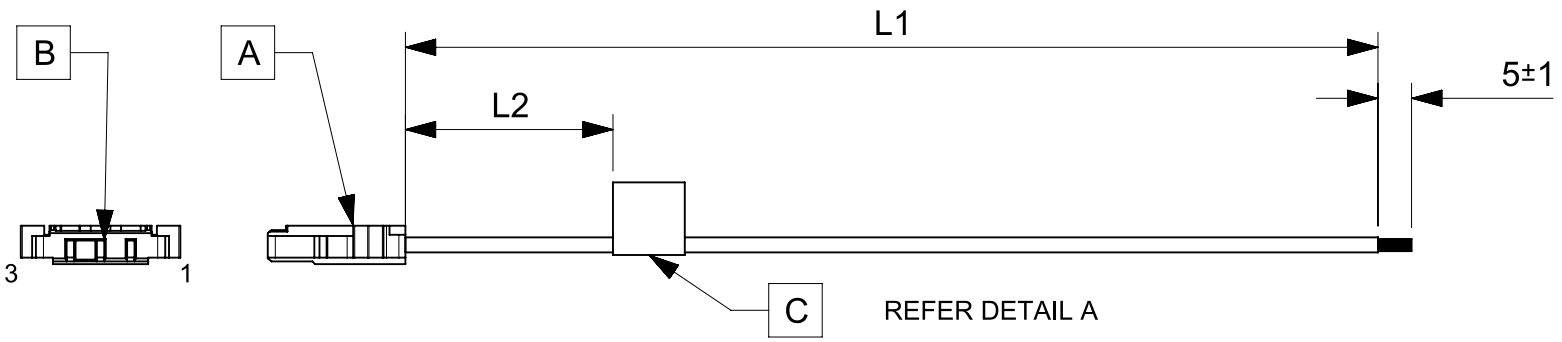


TABLE			
PART NUMBER	L1	L2 (REF)	TITLE
2196572030	50±3	15	Pico-Lock 2.0 R-S 3ckt 50mm disc Au
2196572031	100±3	15	Pico-Lock 2.0 R-S 3ckt 100mm disc Au
2196572032	150±4	15	Pico-Lock 2.0 R-S 3ckt 150mm disc Au
2196572033	300±4	15	Pico-Lock 2.0 R-S 3ckt 300mm disc Au
2196572034	600±6	15	Pico-Lock 2.0 R-S 3ckt 600mm disc Au

- NOTES**
1. Connector view shown is from mating side.
 2. Label text must be 2mm max. in height with Arial font.
 3. Label must be wrapped in Flag type on a single cable.
 4. Free ends must be stripped, twisted & tinned. The length of tinning is 5±1mm. Tinning Dia must be 1.25mm Max.

MOLEX P/N
MOLEX
BATCH WK/YR
DETAIL A

REVISION			
DATE	REV	DESCRIPTION	CHANGER
2021/12/27	A	INITIAL RELEASE	SAIKIG

FUNCTIONAL SYMBOLS $\nabla_A = 0$ $\nabla_E = 0$ $\nabla_P = 0$ DIVISIONAL SYMBOLS	DIMENSION UNITS: mm SCALE: NTS		CURRENT REV DESC:				
	GENERAL TOLERANCES (UNLESS SPECIFIED)		EC NO: 690897			SEE TABLE	
	ANGULAR TOL ± °		DRWN: SAIKIG 2021/12/27				
	4 PLACES ±		CHK'D: MNARAYAN01 2022/01/13				
3 PLACES ±		APPR: MNARAYAN01 2022/01/13		PRODUCT CUSTOMER DRAWING			
2 PLACES ±		INITIAL REVISION:		DOCUMENT NUMBER	DOC TYPE		
1 PLACE ±		DRWN: SAIKIG 2021/12/27		2196572030	PSD		
0 PLACES ±		APPR: MNARAYAN01 2022/01/13		000	A		
DRAFT WHERE APPLICABLE MUST REMAIN WITHIN DIMENSIONS		THIRD ANGLE PROJECTION	DRAWING	SERIES	MATERIAL NUMBER	CUSTOMER	SHEET NUMBER
			A4-SIZE	219657	SEE TABLE	GENERAL MARKET	1 OF 1