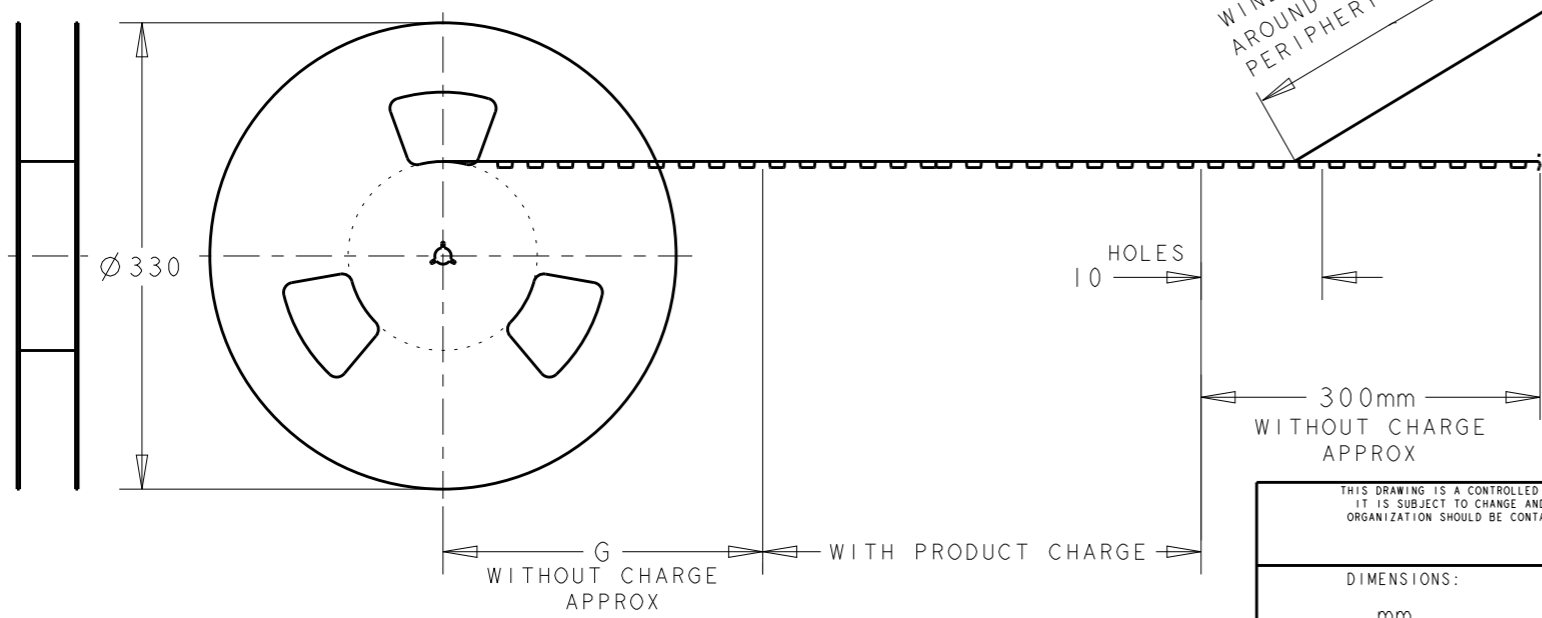
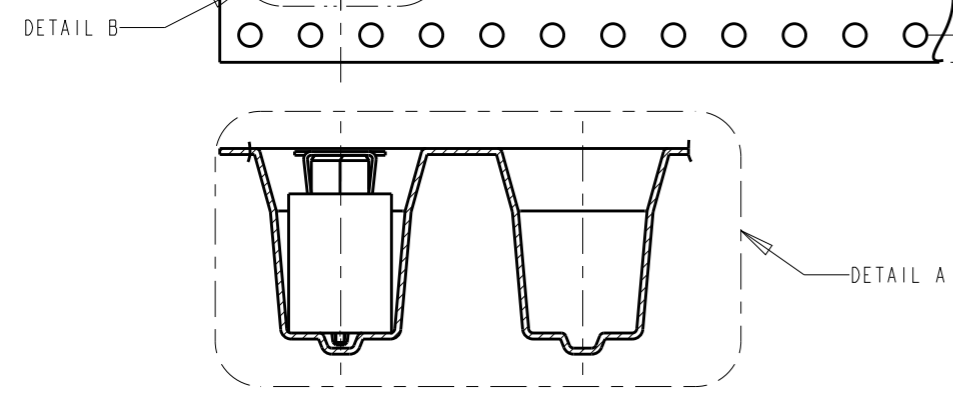
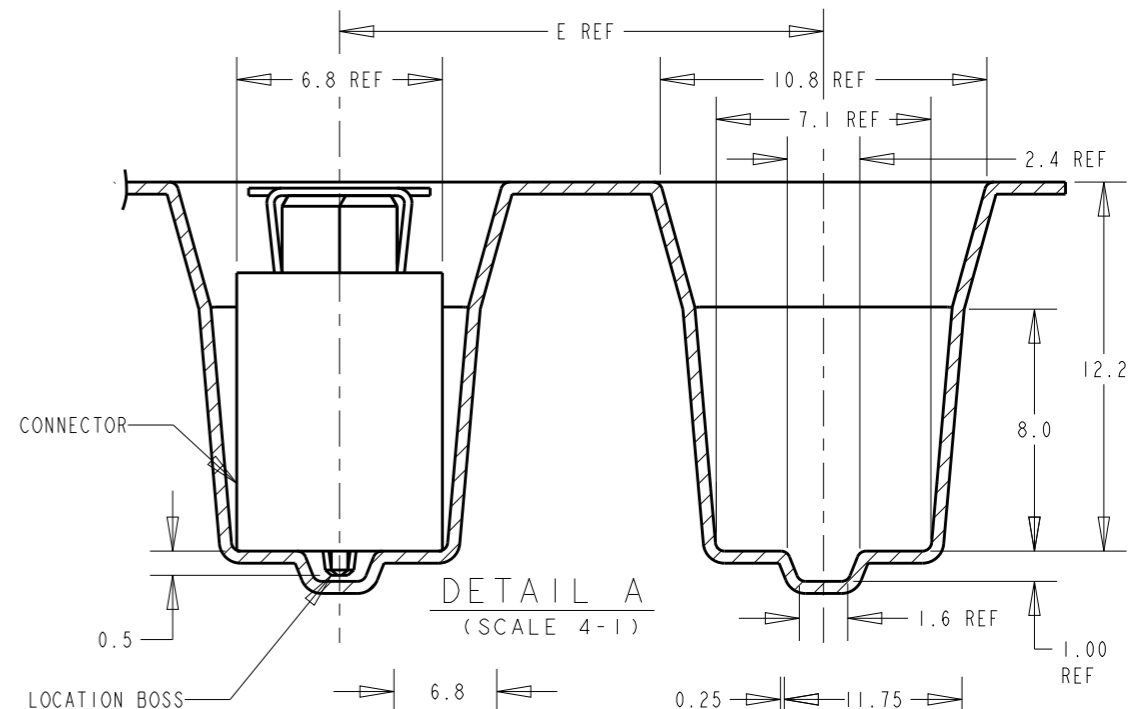
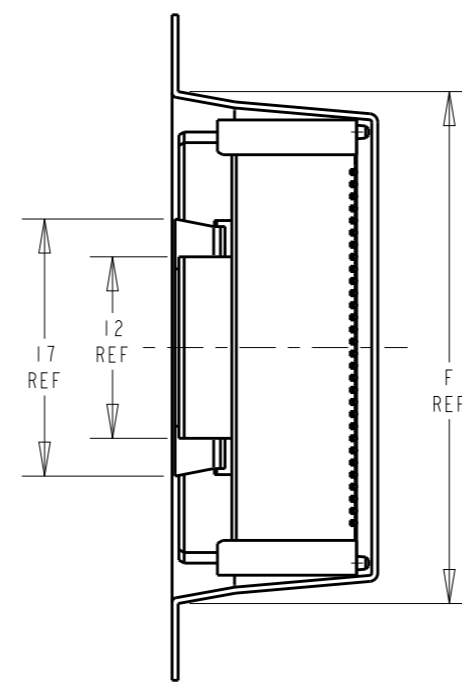
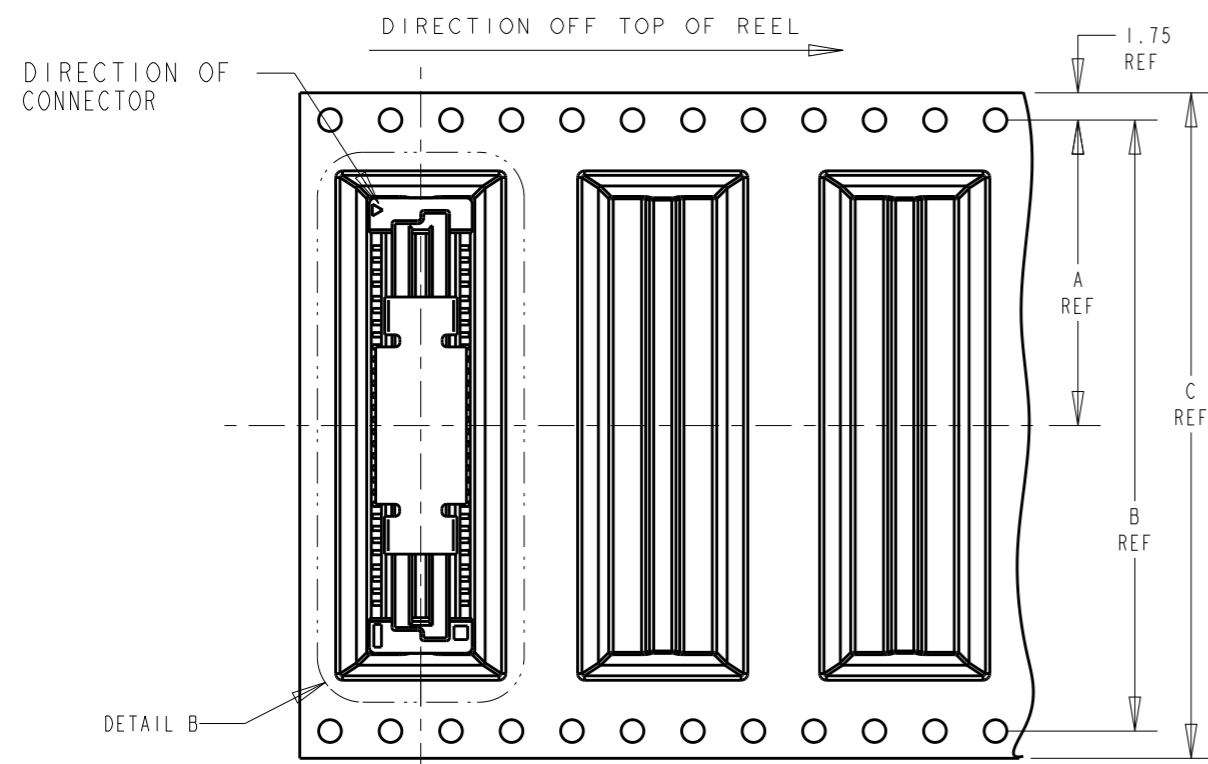


THIS DRAWING IS UNPUBLISHED. RELEASED FOR PUBLICATION .19 .
 BY AMP INCORPORATED. ALL RIGHTS RESERVED.

LOC		DIST		REVISIONS					
DY		-		P	LTR	DESCRIPTION	DATE	DWN	APVD
					AI	REVISED PER ECO-17-018857	28DEC2017	R.L	H.L



200	300	89.8	16	85.8	104	100.4	50.2	200	1-1735681-0
200	300	81.8	16	77.8	104	100.4	50.2	180	1735681-9
200	300	73.8	16	69.8	88	84.4	42.2	160	1735681-8
200	300	65.8	16	61.8	88	84.4	42.2	140	1735681-6
200	300	57.8	16	53.8	72	68.4	34.2	120	1735681-5
200	300	49.8	16	45.8	72	68.4	34.2	100	1735681-4
200	300	41.8	16	37.8	56	52.4	26.2	80	1735681-3
200	300	33.8	16	29.8	44	40.4	20.2	60	1735681-2
200	300	25.8	16	21.8	44	40.4	20.2	40	1735681-1
QTY	G	F	E	D	C	B	A	POS	PART NO.

THIS DRAWING IS A CONTROLLED DOCUMENT FOR AMP INCORPORATED. IT IS SUBJECT TO CHANGE AND THE CONTROLLING ENGINEERING ORGANIZATION SHOULD BE CONTACTED FOR THE LATEST REVISION.

DWN 01SEP04 FLORENCE TAN
 CHK ERIC TNG
 APVD SE LEONG

AMP Tyco Electronics (Singapore) Pte. Ltd.

NAME RECEPTACLE ASS'Y 13H TYPE (0.5 BOSS LENGTH) FOR FH 0.8mm B-T-B CONN. ON TAPING

DIMENSIONS: mm TOLERANCES UNLESS OTHERWISE SPECIFIED:
 0 PLC ±-
 1 PLC ±0.30
 2 PLC ±0.25
 3 PLC ±0.20
 4 PLC ±-
 ANGLES ±-

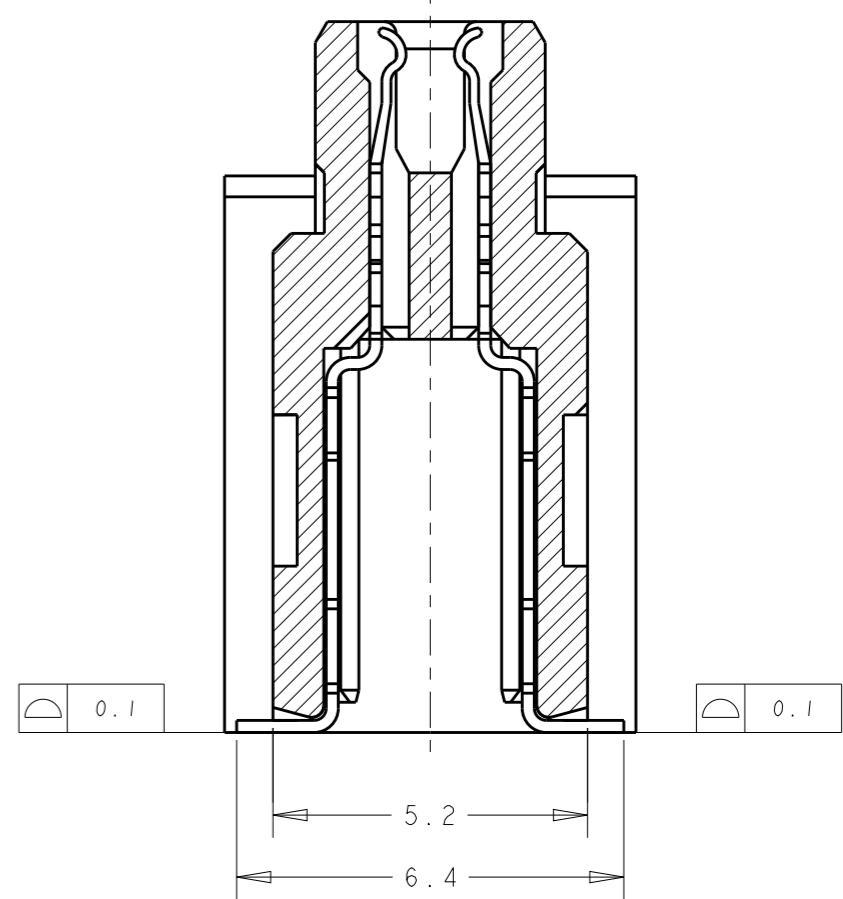
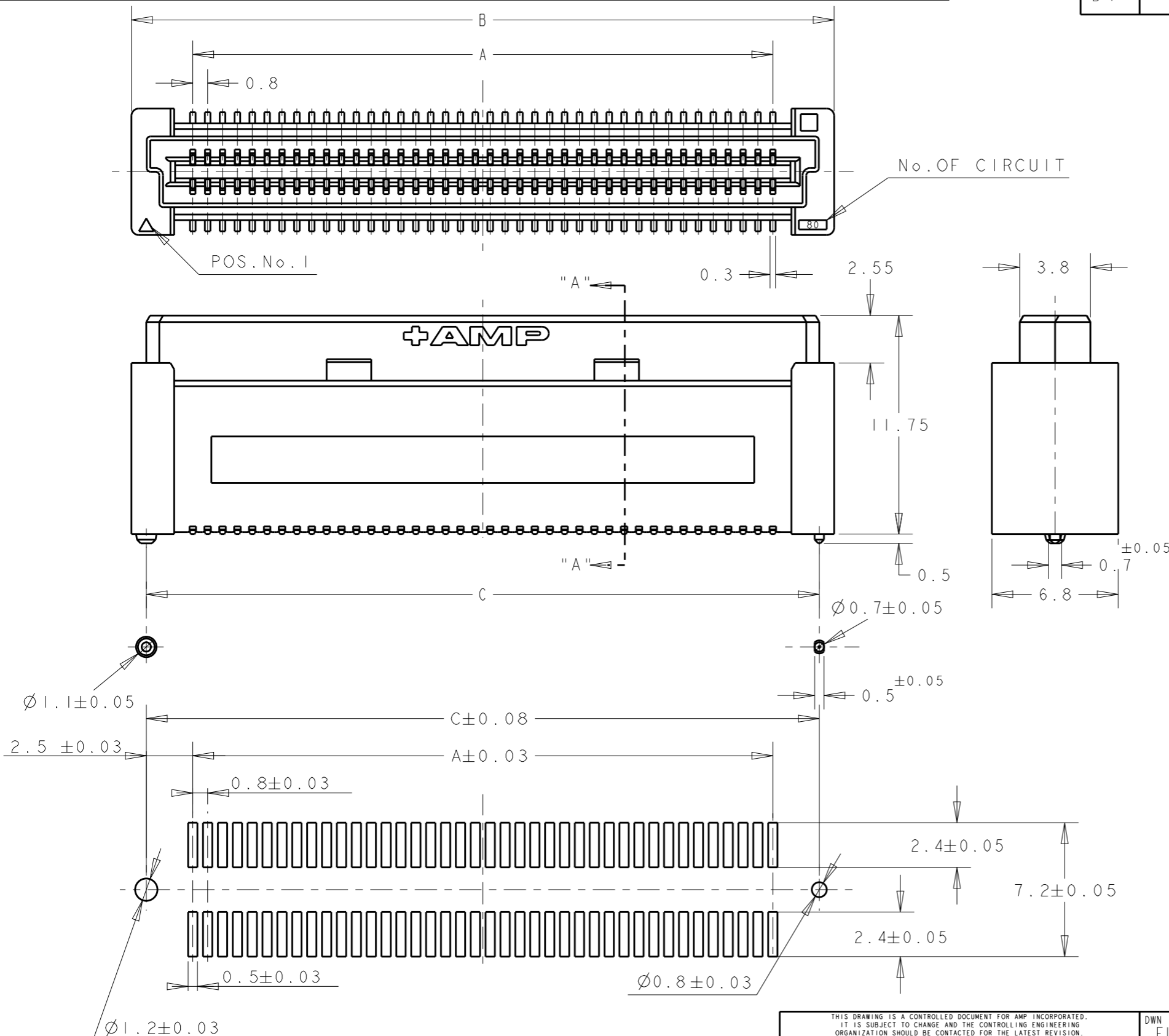
PRODUCT SPEC 108-5390
 APPLICATION SPEC 114-5254

SIZE A3 CAGE CODE 00779 DRAWING NO C-1735681

MATERIAL - FINISH - WEIGHT -

CUSTOMER DRAWING SCALE 2:1 SHEET 1 OF 2 REV A1

Ⓐ ADD CONNECTOR INFORMATION SHEET



SECT "A" - "A"
(SCALE: 8-1)

	84.20	85.80	79.20	200	1-	-0
	76.20	77.80	71.20	180		-9
	68.20	69.80	63.20	160		-8
	60.20	61.80	55.20	140		-6
	52.20	53.80	47.20	120		-5
	44.20	45.80	39.20	100		-4
	36.20	37.80	31.20	80		-3
	28.20	29.80	23.20	60		-2
0.5	20.20	21.80	15.20	40		1735681-1
D	C	B	A	POS.	PART No.	

RECOMMENDED P.C. BOARD LAYOUT

- NOTES:
- MATERIALS:
HOUSING: L.C.P (HIGH TEMP THERMO-PLASTIC)
UL 94V-0, NATURAL.
CONTACT: COPPER ALLOY.
 - FINISH:
ENGAGEMENT AREA: 0.00038 MIN GOLD
SOLDERING AREA: 0.002 MIN MATTE TIN
UNDERCOAT: 0.0013 MIN NICKEL ALL OVER

THIS DRAWING IS A CONTROLLED DOCUMENT FOR AMP INCORPORATED. IT IS SUBJECT TO CHANGE AND THE CONTROLLING ENGINEERING ORGANIZATION SHOULD BE CONTACTED FOR THE LATEST REVISION.		DWN FLORENCE TAN	Tyco Electronics Singapore Pte. Ltd.
DIMENSIONS: mm	TOLERANCES UNLESS OTHERWISE SPECIFIED:	CHK ERIC TNG	
	0 PLC ±0.30	APVD SEIFONG	NAME RECEPTACLE ASS'Y 13H TYPE (0.5 BOSS LENGTH) FOR FH 0.8mm B-T-B CONN. ON TAPING
	1 PLC ±0.25	PRODUCT SPEC 108-5390	
	2 PLC ±0.20	APPLICATION SPEC 114-5254	SIZE A3
	3 PLC ±0.20	WEIGHT -	CAGE CODE 00779
	4 PLC ±0.20		DRAWING NO G-1735681
MATERIAL -	FINISH -	CUSTOMER DRAWING	SCALE 2:1
			SHEET 2 OF 2
			REV A1