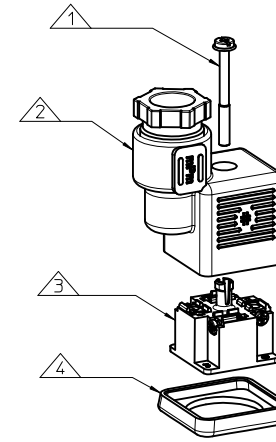
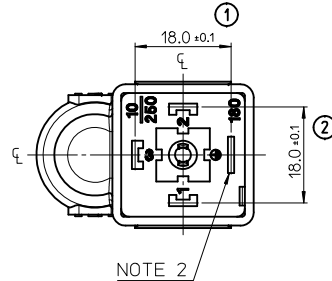
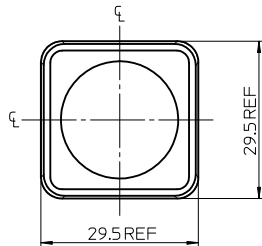
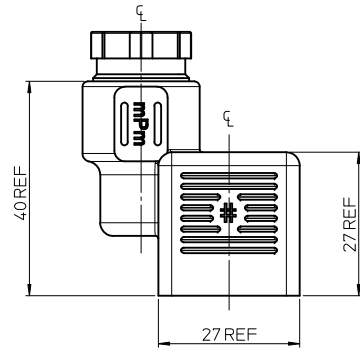
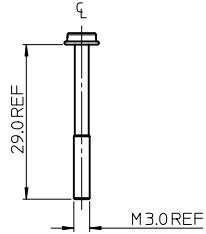


PART No.	mPm PART No.	DESCRIPTION
1210230497	C40209N22	TYPE A 2P PG9 BLACK NBR FLAT GASKET
1210230505	C4021N21	TYPE A 2P PG11 BLACK NBR PROFILE GASKET
1210230514	C40309N22	TYPE A 3P PG9 BLACK NBR FLAT GASKET
1210230521	C4031N21	TYPE A 3P PG11 BLACK NBR PROFILE GASKET
1210230805	C4031W21	TYPE A 3P PG11 BLACK V0 NBR PROFILE GASKET
1210230496	C40209N21	TYPE A 2P PG9 BLACK NBR PROFILE GASKET
1210230513	C40309N21	TYPE A 3P PG9 BLACK NBR PROFILE GASKET



ITEM	DESCRIPTION
1	SCREW
2	COVER ASSEMBLY
3	INSERT ASSEMBLY
4	GASKET



C40209N22

SERIES \_\_\_\_\_  
 C40= INTERNAL THREAD FORM A  
 POLES \_\_\_\_\_  
 2= 2 POLE & 3= 3 POLE  
 THREAD SIZE \_\_\_\_\_  
 09= PG9 11= PG11, M2= M12x1.5, M6= M16x1.5  
 MATERIAL AND HOUSING COLOUR \_\_\_\_\_  
 G= PA6 GRAY, N= PA6 BLACK, W= PA6 BLACK V0, T= PA12 TRANSPARENT  
 GROUND POSITION \_\_\_\_\_  
 0= UNMOUNTED, 2= H12, 3= H3, 6= H6, 9= H9  
 SCREW AND GASKET \_\_\_\_\_  
 1= NBR PROFILE GASKET & SCREW  
 2= NBR FLAT GASKET & SCREW  
 3= WHITE SILICON PROFILE GASKET & SCREW  
 4= WHITE SILICON FLAT GASKET & SCREW

NOTES

- PLEASE SEE CHART FOR CURRENTLY CONFIGURED PART NUMBERS. FOR SPECIFIC PART NUMBERS PLEASE CONTACT SALES OR CONSULT THE INTELLIGENT PART NUMBERS IN THE TABLE ATTACHED.
- EARTH POSITION SHOWN, H12
- FOR PACKAGING SEE PACKAGING SPEC PK-121023-C40
- PRODUCT SPEC: PS-121201-001

LAST INSPECTION NUMBER 2

ORIGINAL RELEASE EC NO: WEU2011-0576 DRWN: JOCONNOR 2011/05/12 CHKD: CHIKO APPR: EFOLAN 2011/05/27	QUALITY SYMBOLS ▽=0 ▽=0	GENERAL TOLERANCES (UNLESS SPECIFIED)		DIMENSION STYLE MM ONLY		SCALE 1.5:1	DESIGN UNITS METRIC	THIRD ANGLE PROJECTION	
		mm	INCH	DRAWN BY JOCONNOR	DATE 2011/05/12	TITLE C40 SERIES INTERNAL THREAD			
A	DESCRIPTION REV	4 PLACES ±---	±---	CHECKED BY DMAHER	DATE 2011/05/12	MATERIAL NO. SD-121023-003 DOCUMENT NO. 1 OF 1			
		3 PLACES ±---	±---	APPROVED BY EFOLAN	DATE 2011/05/27				
		2 PLACES ±0.1	±---	MATERIAL NO. SEE CHART					
		1 PLACE ±0.2	±---	THIS DRAWING CONTAINS INFORMATION THAT IS PROPRIETARY TO MOLEX INCORPORATED AND SHOULD NOT BE USED WITHOUT WRITTEN PERMISSION					
		ANGULAR ±---°							
		DRAFT WHERE APPLICABLE MUST REMAIN WITHIN DIMENSIONS							