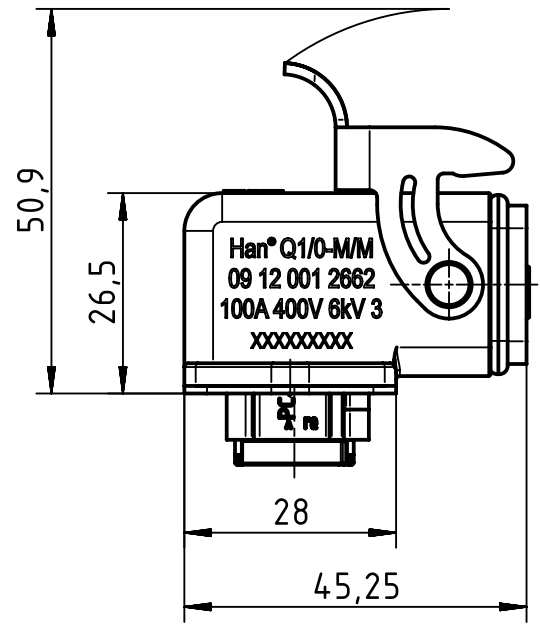
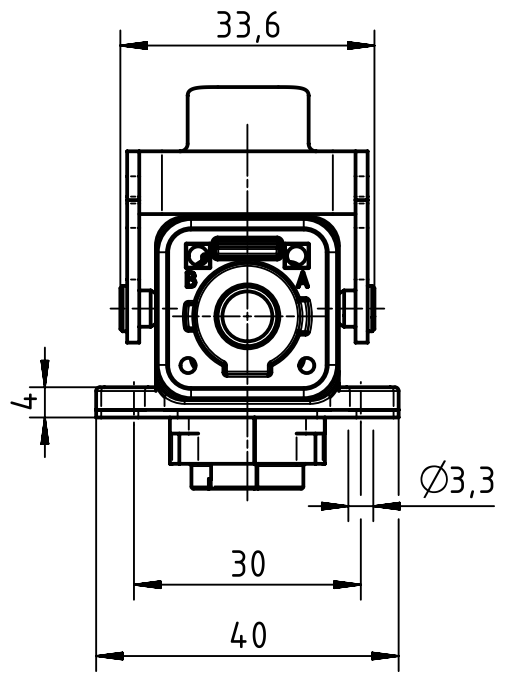


A

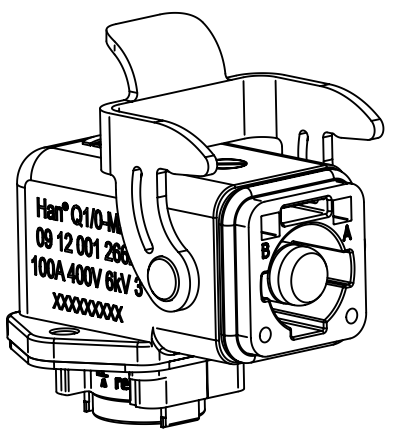
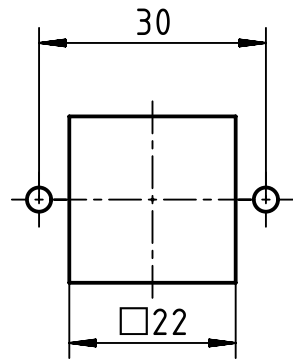
B

C

D



panel cut out



	All rights reserved Department EL PD - DE HARTING Electric GmbH & Co. KG D-32339 Espelkamp	All Dimensions in mm Original Size DIN A4		Scale 1:1	Free size tol.	Ref. Sub.
		Created by DEIMEL	Inspected by LOETKEMANN	Standardisation RUETERA	Date 2017-08-08	State Final Release
Title Han Q1/0-M/M with housing (HBMA, red)						Rev. F
Type TB				Number 09 12 001 2662		Page 1/1