



## 12W Wall Plug Adapter



### Features

- Double Insulated
- Class B EMI
- < 0.075W No-Load Current
- DOE Level VI & COC V5 Tier 2
- Over-Voltage & Short-Circuit protections

### Applications

- Wireless Communications
- Networking
- Portable Equipment
- Peripherals

### Safety Approvals

- UL/cUL 60950-1<sup>1</sup>
- CE<sup>2</sup>
- IEC 60950-1

### Mechanical Characteristics - US and EU Models

- Length: 71.2mm (2.80in)
- Width: 34mm (1.34in)
- Height: 46mm (1.81in)
- Weight: 85g (3.00oz) Ref

### Mechanical Characteristics - UK Model

- Length: 71.2mm (2.80in)
- Width: 49mm (1.93in)
- Height: 55.5mm (2.17in)
- Weight: 184.27g (6.50oz) Ref

### Output Specifications

Model	Prong Style	DC Output Voltage	Load		Ripple <sup>3</sup> P-P (max.)	Regulation Line & Load
			Min.	Max.		
PSAA12A-120L6-R	US	12V	0A	1A	240mV	±5%
PSAA12E-120L6-R	EU	12V	0A	1A	240mV	±5%

Notes:

1. US model only
2. EU model only
3. Measured with by-pass capacitors 0.1uf /10uf at output connector terminal and oscilloscope set at 20 MHz ( tested by oscilloscope) after 30 minutes warm-up

**Input:****AC Input Voltage Rating**

100 to 240 V AC

**AC Input Voltage Range**

90 to 264V AC

**AC Input Frequency**

47 to 63Hz

**Input Current**

0.5A (RMS) max at 100VAC, max load

**Leakage Current**

0.25mA max

**Inrush Current**

60A @230VAC, 25°C, at max load

**Input Power Saving**

&lt;0.075W at 230Vac, no load

**Output:****Efficiency<sup>2</sup>**

DOE Level VI

COC V5 Tier 2

**Hold-up Time**

10mS Min. at Max load and 120Vac 60Hz

**Short Circuit Protection**

Units protected against a continuous short circuit and over current condition over the operating range.

**Over-Voltage Protection**

Output voltage shall not exceed 20V

**Over-Current Protection**

2A max

**Environmental:****Temperature**

Operation 0°C to +40°C

Non-operation -40°C to +85°C

Humidity 90%RH Max

**Emissions**

Complies with FCC Class B

Complies with EN55022 Class B

**Immunity**

EN50082-1:

EN61000-4-2 Level 4

EN61000-4-5 Level 3

EN61000-3-2

EN61000-3-3

EN55024

IEC610004-2

IEC610004-3

IEC610004-4

IEC610004-5

IEC610004-6

IEC610004-8

IEC610004-11

**Dielectric Withstand (Hi-pot) Test**

Primary to Secondary: 3000V AC for 1 min.,  
10mA

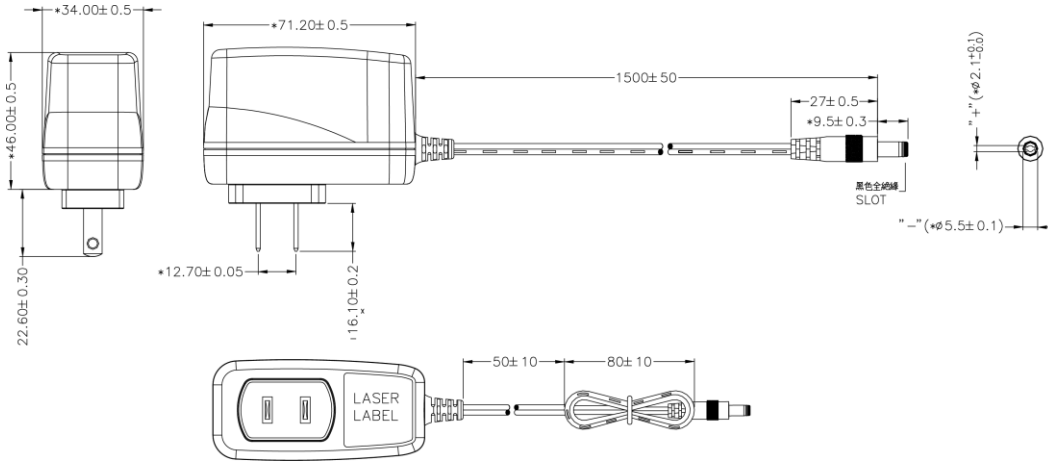
**DC Output Connector**

The output dc cord shall be 1200mm 26AWG in length. Matte black PVC insulation. DC plug: (-) GND outside; (+) Output inside

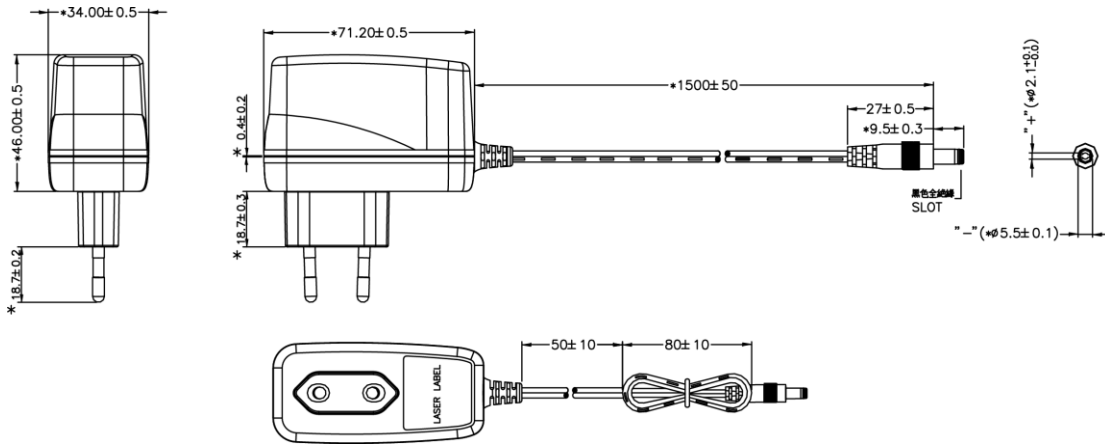
**Notes:**

1. The characteristics defined are at ambient temperature of 25°C unless otherwise specified
2. Efficiency is measured after 30 minutes burn-in

**Dimension Diagram Unit: mm – PSAA12A-120L6-R**



**Dimension Diagram Unit: mm – PSAA12E-120L6-R**



**Supplier's Declaration of Conformity  
47 CFR § 2.1077 Compliance Information**

**PSAA12A-120L6-R**

Phihong USA Corporation  
47800 Fremont Boulevard  
Fremont, CA 94538  
Telephone: (510) 445-0100  
[www.phihong.com](http://www.phihong.com)

NOTE: This model has been tested and found to comply with the limits for a Class B digital device, pursuant to part 15 of the FCC Rules. These limits are designed to provide reasonable protection against harmful interference in a residential installation. This equipment generates, uses and can radiate radio frequency energy and, if not installed and used in accordance with the instructions, may cause harmful interference to radio communications. However, there is no guarantee that interference will not occur in a particular installation. If this equipment does cause harmful interference to radio or television reception, which can be determined by turning the equipment off and on, the user is encouraged to try to correct the interference by one or more of the following measures:

- Reorient or relocate the receiving antenna.
- Increase the separation between the equipment and receiver.
- Connect the equipment into an outlet on a circuit different from that to which the receiver is connected.
- Consult the dealer or an experienced radio/TV technician for help.

Changes or modifications to equipment not expressly approved by PHIHONG could void the user's authority to operate the equipment.