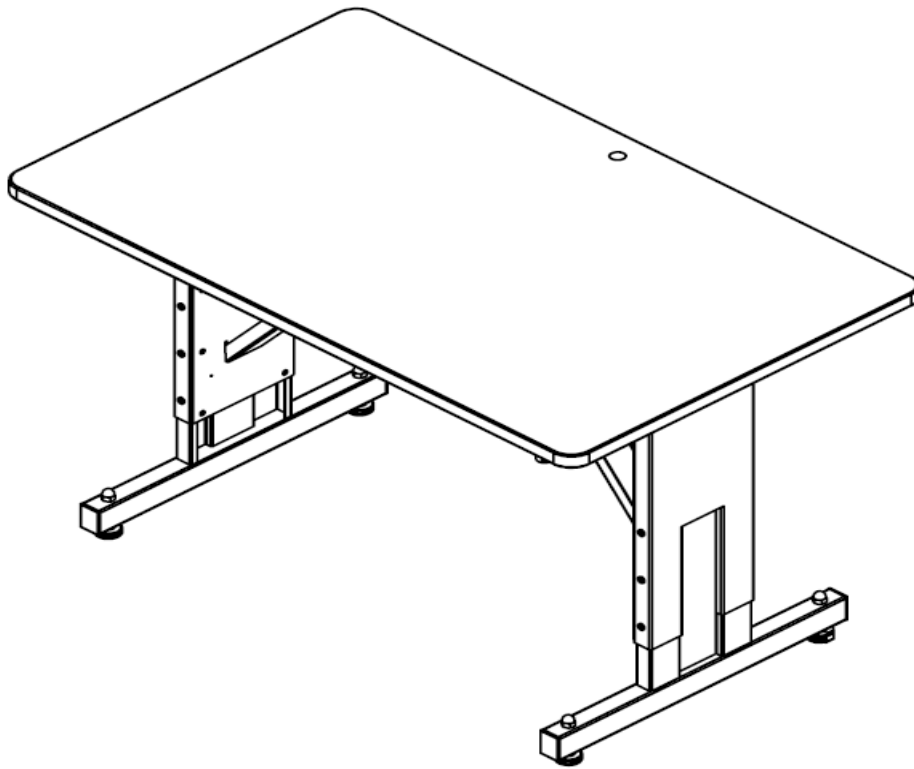


KENDALL HOWARD ®

96" ESD WORKBENCH

Owner's Manual

Part Number: ESDW-9630-1000



For Your Safety

Read and understand the entire manual before use

TABLE OF CONTENTS

Contents

SUPPORT	2
DISCLAIMER	2
DIMENSIONAL DRAWING	3
SPECIFICATIONS	3
TOOLS NEEDED.....	3
COMPONENT IDENTIFICATION	4
INSTALLATION.....	5
INSTALLATION CONTINUED	6
ESD ELECTRICAL CIRCUIT	7
CARE AND CLEANING.....	7
TROUBLESHOOTING	8
WARRANTY	9

Support

Support is available through the following methods:

By Phone from 8:00 AM to 5:00 PM CST. 651.213.1333

By Email customerservice@kendallhoward.com

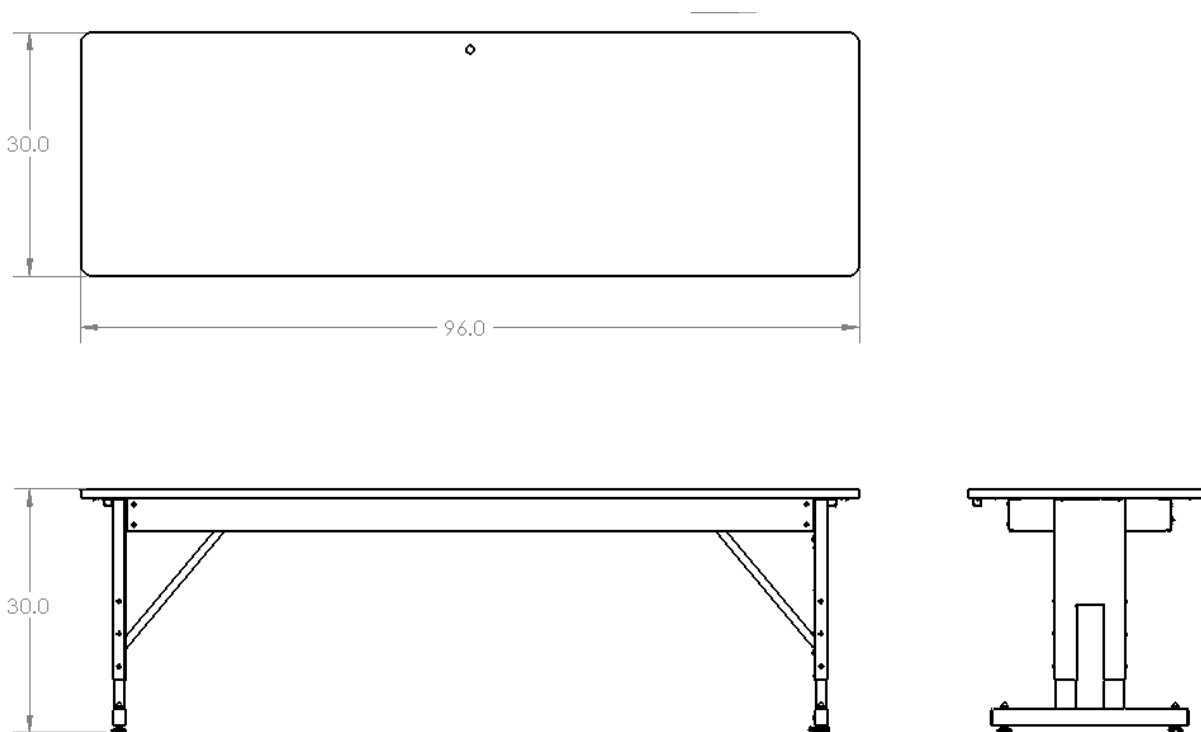
By Mail 10152 Liberty Lane, Chisago City, MN 55013

By Web www.kendallhoward.com

Disclaimer

DISCLAIMER: Kendall Howard LLC. endeavors to make this manual accurate and complete. However, Kendall Howard LLC makes no representations or warranties of any kind, expressed or implied, about whether the use of products contained herein would infringe any rights or the correctness, accuracy or reliability of the information contained herein or that said information covers all details, conditions, or variations. The information herein does not provide for every possible contingency in connection with the installation or use of the product(s). The information contained in this document is subject to change without notice or obligation. Kendall Howard LLC assumes no responsibility for the accuracy, completeness or reliability of the information contained in this document. Any reliance placed on the information is therefore strictly at your own risk.

Dimensional Drawing



Specifications

Overall Dimensions	96" Wide x 30" Deep x 30" Tall (at lowest setting)
Worksurface Dimensions	30" Deep x 96" Long
Weight	185 lbs. (407 kg)
Workbench Support Color	Gloss Black Powder Coat
Worksurface Color	Cloudy Gray

Tools Needed

Phillips Screwdriver or Cordless Drill

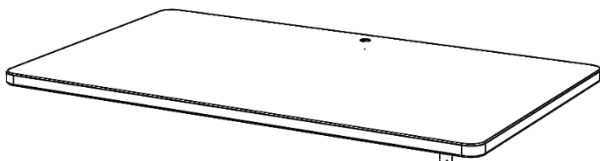


Component Identification

What's included?

Work Surface 96" x 30" (1)

Part Number: A-1071



Leg Assembly (2)

Part Number: A-1075



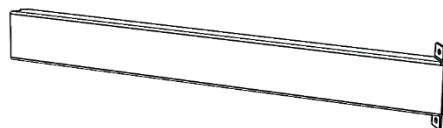
Cross Bar (2)

Part Number: A-1079



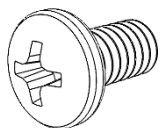
Gusset (2)

Part Number: A-1080



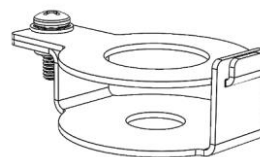
Pan Head Screw (44)

Part Number: HW-PHS-006



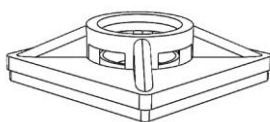
ESD Grounding Boot (1)

Part Number: A-1084



Self-Adhesive Cable Tie Mount (5)

Part Number: CP-1045



6" Cable Tie (5)

Part Number: CP-1019



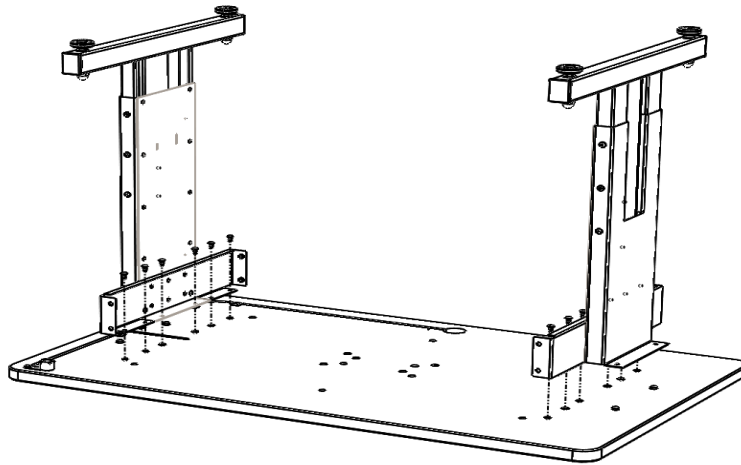
Installation

Step 1:

Cut and remove the two plastic banding and any shrink wrap material, remove top from crate packaging & remove components.

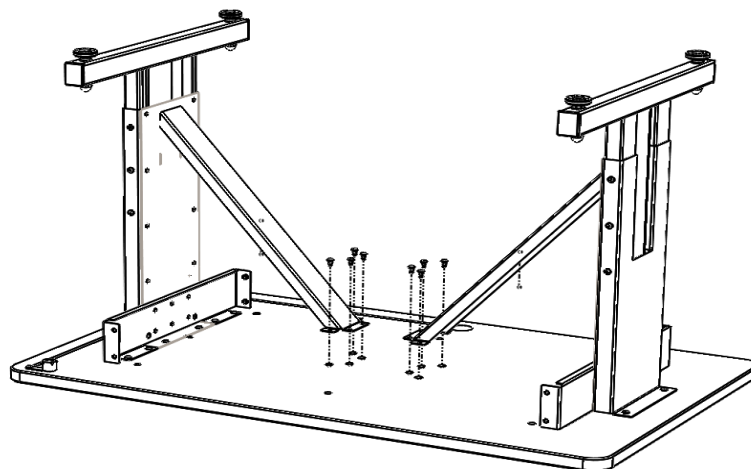
Step 2:

Place the Work Surface on its top on a clean and sturdy working area. Locate the two leg assemblies and 16 Pan Head Screws. Install the screws 6 into the inside of each Leg Assembly and 2 on the outer side.



Step 3:

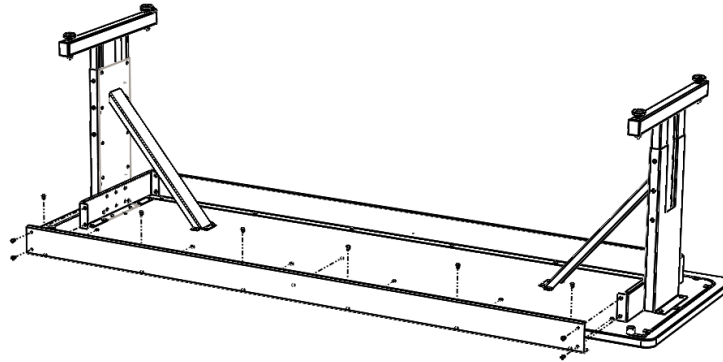
Locate the Gussets. Place the bottom of the slotted end of the Gusset in to the slot guide of the Leg Assembly, Locate 8 Pan Head Screws. Install Screws through the Gusset and into the Work Surface



Installation Continued

Step 4:

Locate the Cross Bars and 20 Pan Head Screws. Install 10 screws into each cross bar as shown below.



Step 5:

Determine how the Workbench will be grounded. If using the ESD Grounding Boot, proceed to step 6. If an Earth ground is needed proceed to step 7.

Step 6:

Install the Grounding Boot on the right rear Leg Leveler. Locate the ESD Grounding Boot, and the short, pre-installed grounding wire. Remove the Philips head screw from the Ground Boot, place the lever stem through the bottom of the Grounding Boot, latch the top of the Grounding Boot, strip and install the ground wire between the boot halves. Reinstall the Phillips screw. Flip table over and adjust the leg levelers until workbench is level. Use the provided cable tie mounts to secure the ground wire to the table leg.

Step 7:

Locate the 10' pre-installed grounding wire. Determine where the Workbench will be installed. Flip table over and adjust the leg levelers until workbench is level. Connect the 10' Earth ground wire to a safe common grounding point. Use the provided cable tie mounts to secure the ground wire to the table leg.

ESD Electrical Circuit

Work Surface

A wire connects the conductive aluminum boot to a common ground located in worksurface. A wire is connected from the common ground to an external Earth ground wire. A wire is connected from the common ground to the wrist strap ground point.

Care and Cleaning

Painted Surfaces

All painted surfaces can be cleaned with a non-abrasive, non-ammonia or non-bleached based cleaner. Do not use soap or detergents on exposed metal surfaces, leg levelers or on the work surface. The soap may leave a residue that will insulate the surface from ESD grounding. Wipe down all cleaned surfaces with a lint free soft cloth.

Leg levelers

Three of the four leg levelers are adjustable and non-conductive. They can be cleaned with any non-ammonia or bleached based cleaner. The fourth Leg leveler is equipped with an aluminum conductive boot. This can be cleaned with any non-ammonia or bleached based cleaner.

Approved cleaning solutions for ESD surfaces

- Desco 10446 Reztore Surface & Mat Cleaner
- 3M 8001 Antistatic Mat & Table Top Cleaner

NOTE: Do not use petroleum-based solvents or alcohol to clean any surfaces on this ESD Workbench.

Troubleshooting

ESD non-compliant on work surface & common grounds

- Verify that the flooring has a RTT value of $10^5 < 10^9$ Ohms resistance.
- Verify that the ESD surface has a RTT value of $10^5 < 10^9$ Ohms resistance. If it does not, clean and repeat test. If it still does not pass then the surface will need to be replaced.
- Verify that that the resistance from the surface to the conductive aluminum boot has a RTG value of $10^5 < 10^9$ Ohms resistance. If this RTG value fails proceed to the next step.
- Check the RTG value of $10^5 < 10^9$ Ohms resistance from the common ground on the work surface to the conductive aluminum boot. If this test passes, replace the ESD surface. If this RTG value fails proceed to the next step.
- Check the RTG value of $10^5 < 10^9$ Ohms resistance from the ESD wrist strap connection point to the conductive aluminum boot. If this test passes, replace the ESD surface. If this RTG value fails proceed to the next step.
- Check the built-in cable to see if it connected or broken. Replace if damaged. Retest RTG value.
- Check ground wire connection to the conductive aluminum boot (this is visible underneath the bottom shelf). Replace if damaged. Retest the RTG value.

Glossary:

- RTT = Resistance to table
- RTG = Resistance to ground

Warranty

GENERAL: Kendall Howard offers all users of our products the following Limited Warranty against defects in material and workmanship. Please read your Warranty carefully. This Warranty sets forth our responsibilities in the unlikely event of defect and tells you how to obtain resolution.

TERMS OF WARRANTY: Kendall Howard products are warranted to be free of defects in material and workmanship. If any part or portion of the Kendall Howard product fails to conform to the Warranty, Kendall Howard, at its option, will furnish new or factory remanufactured products for repair or replacement of that part.

WARRANTY EXTENDS TO FIRST PURCHASER FOR USE, NON-TRANSFERABLE: This Warranty is extended to the first person, firm, association, or corporation for whom the Kendall Howard product specified herein is originally sold for use in the United States (the "User"). This Warranty is not transferable or assignable without the prior written permission of Kendall Howard.

ASSIGNMENT OF WARRANTIES: Kendall Howard assigns to User any warranties which are made by manufacturers and suppliers of components of the Kendall Howard product and which are assignable, but Kendall Howard makes NO REPRESENTATIONS as to the effectiveness or extent of such warranties, assumes NO RESPONSIBILITY for any matters which may be warranted by such manufacturers or suppliers and extends no coverage under this Warranty to such components.

DRAWINGS, DESCRIPTIONS: Kendall Howard warrants for the period and on the terms of the Warranty set forth herein that the Kendall Howard product will conform to the descriptions contained in Kendall Howard final invoices, orders, proposals (as modified) and other Kendall Howard descriptive documents ("Descriptions"). Kendall Howard does not control the use of any Kendall Howard product. Accordingly, it is understood that the Descriptions are NOT WARRANTIES OF PERFORMANCE and NOT WARRANTIES OF FITNESS FOR A PARTICULAR PURPOSE.

WARRANTY CLAIMS PROCEDURE: Within a reasonable time, but in no case to exceed thirty (30) days, after User's discovery of a defect, User shall contact Kendall Howard. Subject to the limitations specified herein, a Kendall Howard customer service representative will repair or replace the non-conforming Kendall Howard product warranted hereunder, without charge for materials. User will not be charged for labor if performed within thirty (30) days of product purchase. In all other instances, User will be charged for labor performed at Kendall Howard's then current rates. Kendall Howard shall assume shipping costs for replacement products and return of the defective product to Kendall Howard. Warranty coverage will be extended only after Kendall Howard inspection determines there is a defect as claimed and shows no signs of treatment or use which would void the coverage of this Warranty.

WARRANTY PERFORMANCE OF COMPONENT MANUFACTURERS: It is Kendall Howard's practice, consistent with its desire to remedy Warranty defects in the most prompt and effective manner possible, to cooperate with and utilize the services of component manufacturers and their authorized representatives in the performance of work to correct defects in Kendall Howard components. Accordingly, Kendall Howard may utilize third parties in the performance of Warranty work, including repair or replacement hereunder, where, in Kendall Howard's opinion, such work can be performed in less time, and with less expense.

ITEMS NOT COVERED BY WARRANTY: THIS WARRANTY DOES NOT COVER DAMAGE OR DEFECT CAUSED BY misuse, improper application, wrong or inadequate electrical current or connection, negligence, inappropriate on site operating conditions, repair by non-Kendall Howard designated personnel, accident in transit, tampering, alterations, a change in location or operating use, exposure to the elements, Acts of God, theft or installation contrary to Kendall Howard's recommendations or specifications, or in any event if the Kendall Howard serial number has been altered, defaced, or removed. THIS WARRANTY DOES NOT COVER installation costs, external circuit breaker resetting or maintenance or service items and further, except as may be specifically provided for herein, does NOT include labor or shipping costs arising from the repair or replacement of the Kendall Howard product, or any part thereof, or charges to remove same from any premises of User. THIS WARRANTY IS VOID if User alters the product in any way.

LIMITATIONS: THIS WARRANTY IS IN LIEU OF AND EXCLUDES ALL OTHER WARRANTIES, EXPRESS OR IMPLIED, INCLUDING MERCHANTABILITY AND FITNESS FOR A PARTICULAR PURPOSE. USER'S SOLE AND EXCLUSIVE REMEDY IS REPAIR OR REPLACEMENT OF THE KENDALL HOWARD PRODUCT AS SET FORTH HEREIN. IF USER'S REMEDY IS DEEMED TO FAIL OF ITS ESSENTIAL PURPOSE BY A COURT OF COMPETENT JURISDICTION, KENDALL HOWARD'S RESPONSIBILITY FOR PROPERTY LOSS OR DAMAGE SHALL NOT EXCEED ONE TIMES THE NET PRODUCT PURCHASE PRICE. IN NO EVENT SHALL KENDALL HOWARD ASSUME ANY LIABILITY FOR INDIRECT, SPECIAL, INCIDENTAL, EXEMPLARY OR CONSEQUENTIAL DAMAGES OF ANY KIND WHATSOEVER, INCLUDING WITHOUT LIMITATION LOST PROFITS, BUSINESS INTERRUPTION OR LOSS OF DATA, WHETHER ANY CLAIM IS BASED UPON THEORIES OR CONTRACT, NEGLIGENCE, STRICT LIABILITY, TORT, OR OTHERWISE.

MISCELLANEOUS: NO SALESPERSON, EMPLOYEE OR AGENT OF KENDALL HOWARD IS AUTHORIZED TO ADD TO OR VARY THE TERMS OF THIS WARRANTY. Warranty terms may be modified, if at all, only in writing signed by a Kendall Howard officer. This Warranty is effective as of the date of Kendall Howard receipt of full payment and supersedes all previous warranties Kendall Howard reserves the right to supplement or change the terms of this Warranty in any subsequent warranty offering to User or others. If any provision of this Warranty should be or becomes invalid and/or unenforceable during the warranty period, the remaining terms and provisions shall continue in full force and effect. User must complete the attached User Information Card and forward it to Kendall Howard within thirty (30) days of receipt of the Kendall Howard product. This Warranty is given in and performance hereunder is to be construed under the laws of the State of Nebraska. This Warranty represents the entire agreement between Kendall Howard and User with respect to the subject matter herein and supersedes all prior or contemporaneous oral or written communications, representations, understandings, or agreements relating to this subject.