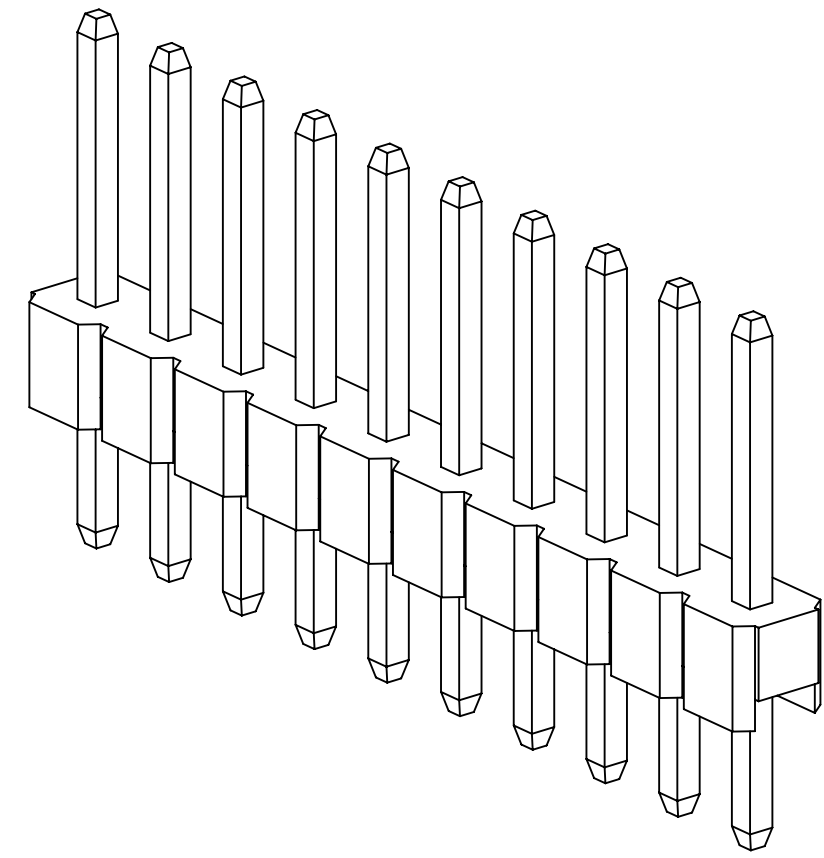
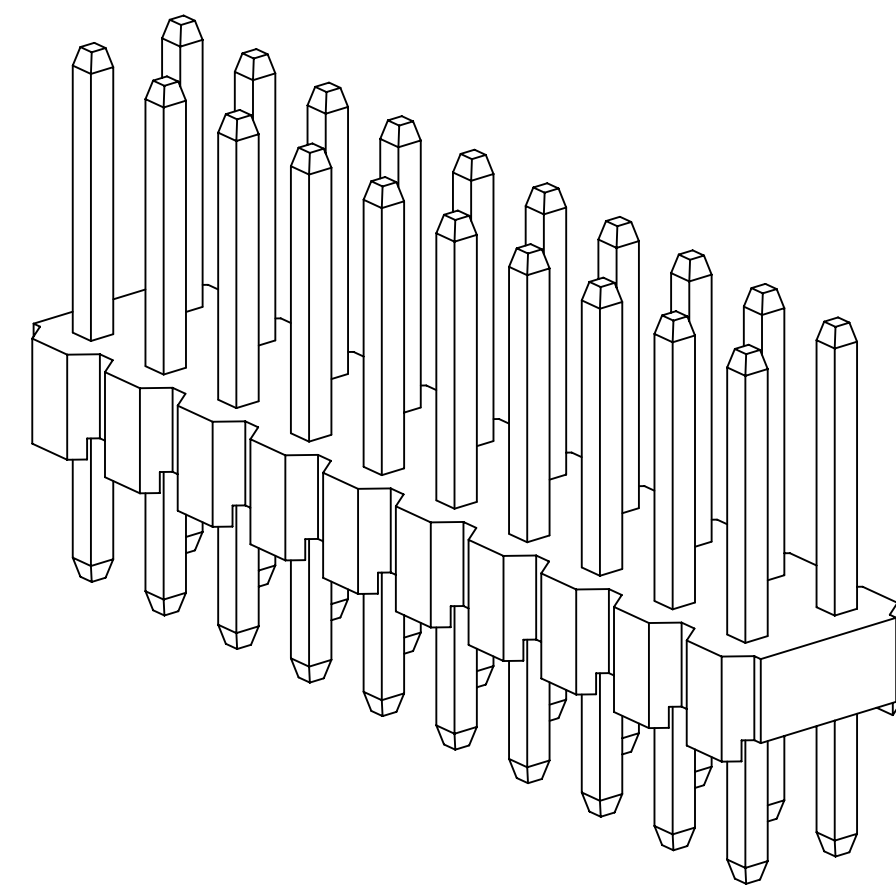


3M™ PIN STRIP HEADER, 961 SERIES
2.54MM AND 2.54MM X 2.54MM STRAIGHT SOLDER TAIL

- NOTES
- REGULATORY INFORMATION:
VISIT 3M.com/regs
 - IN THE EVENT OF CONFLICT BETWEEN THIS DATA AND THAT CONTAINED IN THE PRODUCT SPECIFICATION, THE PRODUCT SPECIFICATION TAKES PRECEDENT.
 - N = THE NUMBER OF POSITIONS.



SINGLE ROW STRAIGHT VERSION



DUAL ROW STRAIGHT VERSION

2 PHYSICAL :

INSULATOR:
MATERIAL: HIGH TEMP THERMOPLASTIC
FLAMMABILITY: UL94V-0
COLOR: BLACK
CONTACT:
MATERIAL: COPPER ALLOY
PLATING:
UNDER PLATING: 50-100µ" [1.27-2.54µm] NICKEL-OVERALL
WIPING AREA: GOLD FLASH
SOLDER TAILS: 40-118µ" [1-3µm] MATTE TIN

2 ELECTRICAL :

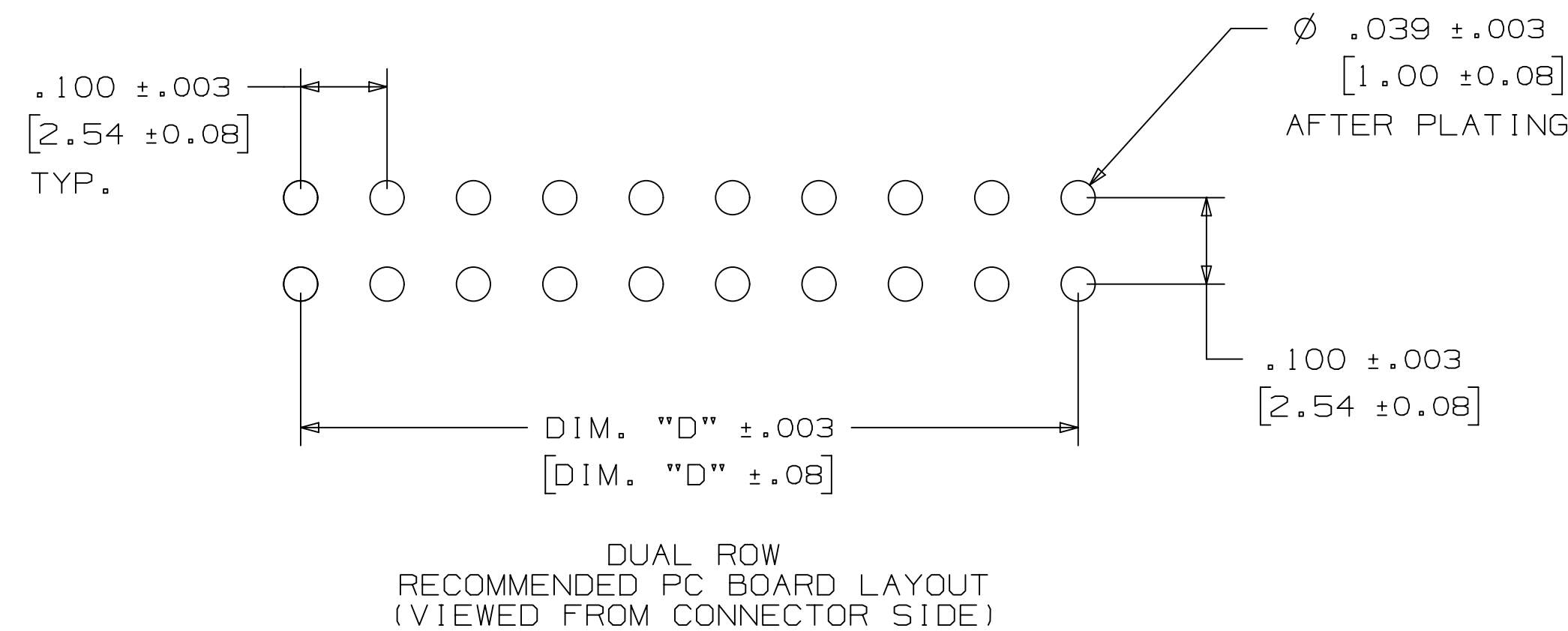
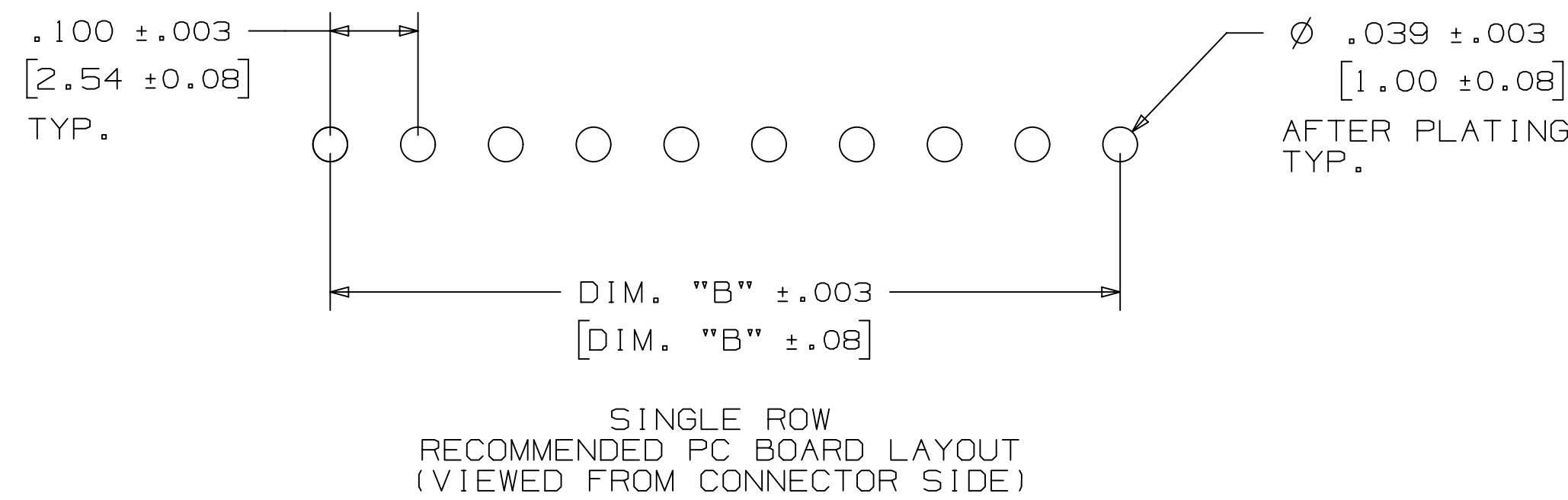
CURRENT RATING: 3A
INSULATION RESISTANCE: >5 X 10⁸ OHm AT 100V_{DC}
WITHSTANDING VOLTAGE: 1000V_{AC} AT 60s

2 MECHANICAL :

RETENTION FORCE: ≥ 7.0N PER PIN

2 ENVIRONMENTAL :

TEMPERATURE RATING: -55° C TO 125° C
PROCESSING TEMPERATURE: MAX. 260° C (PROFILE PER J-STD-020C)
MOISTURE SENSITIVITY LEVEL: 1 (PER J-STD-020C)



DIMENSIONS: INCH [MM]
[MM] FOR REF. ONLY

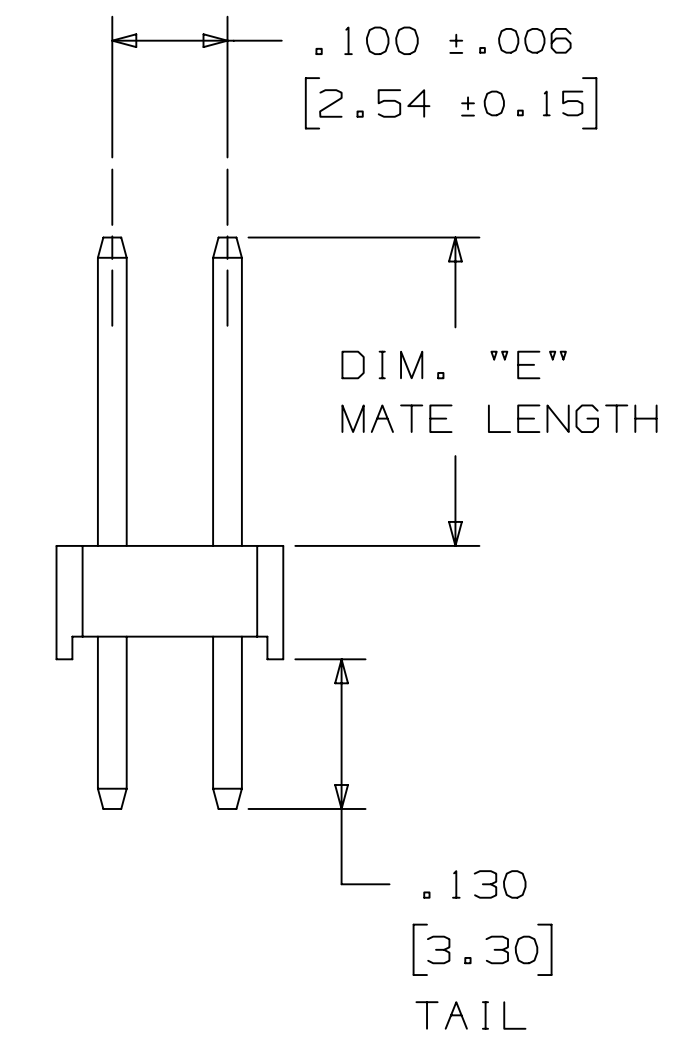
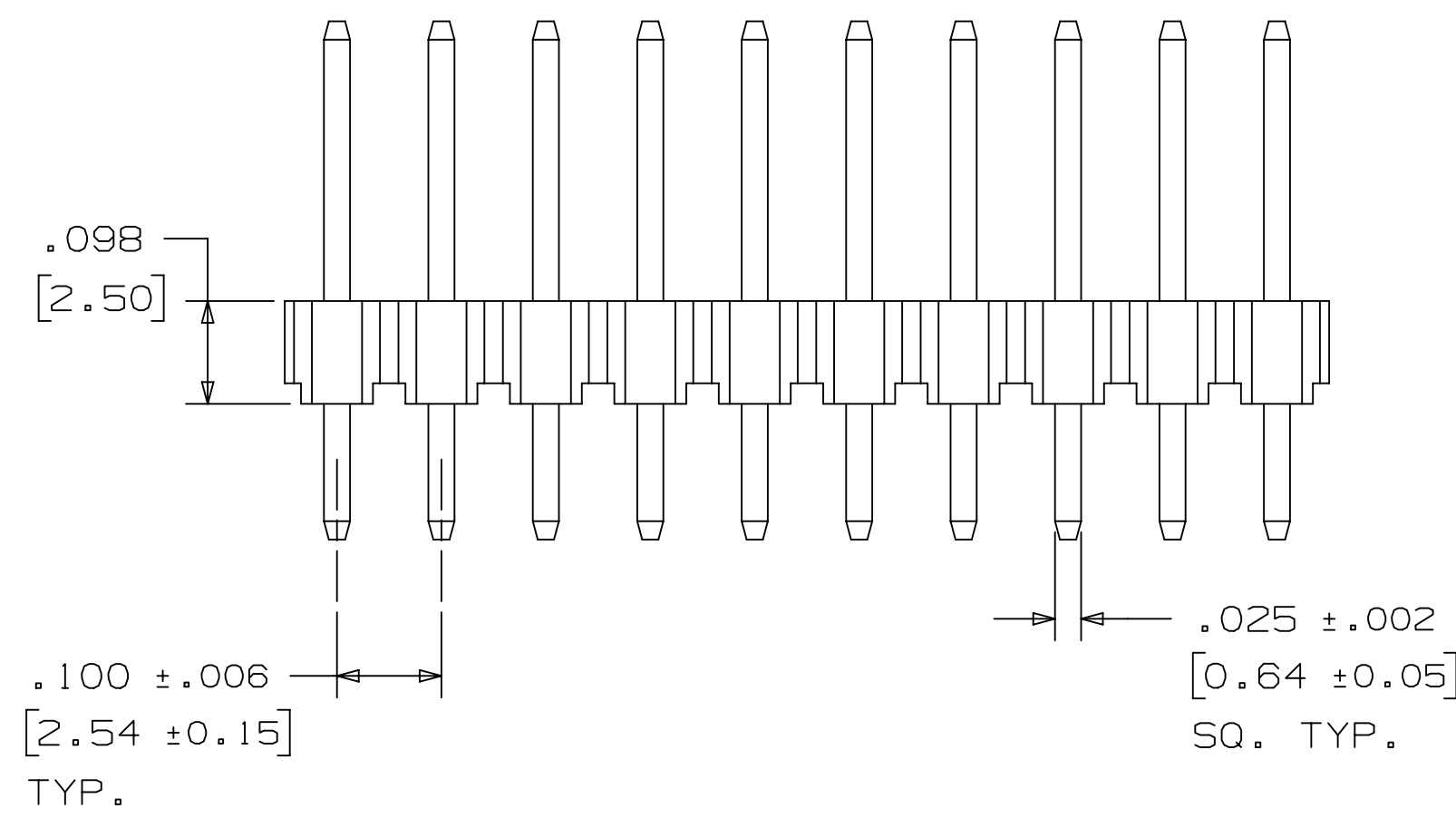
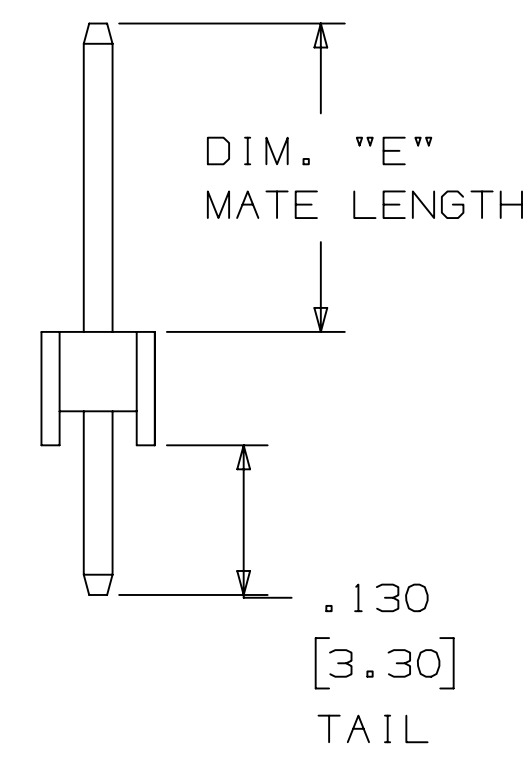
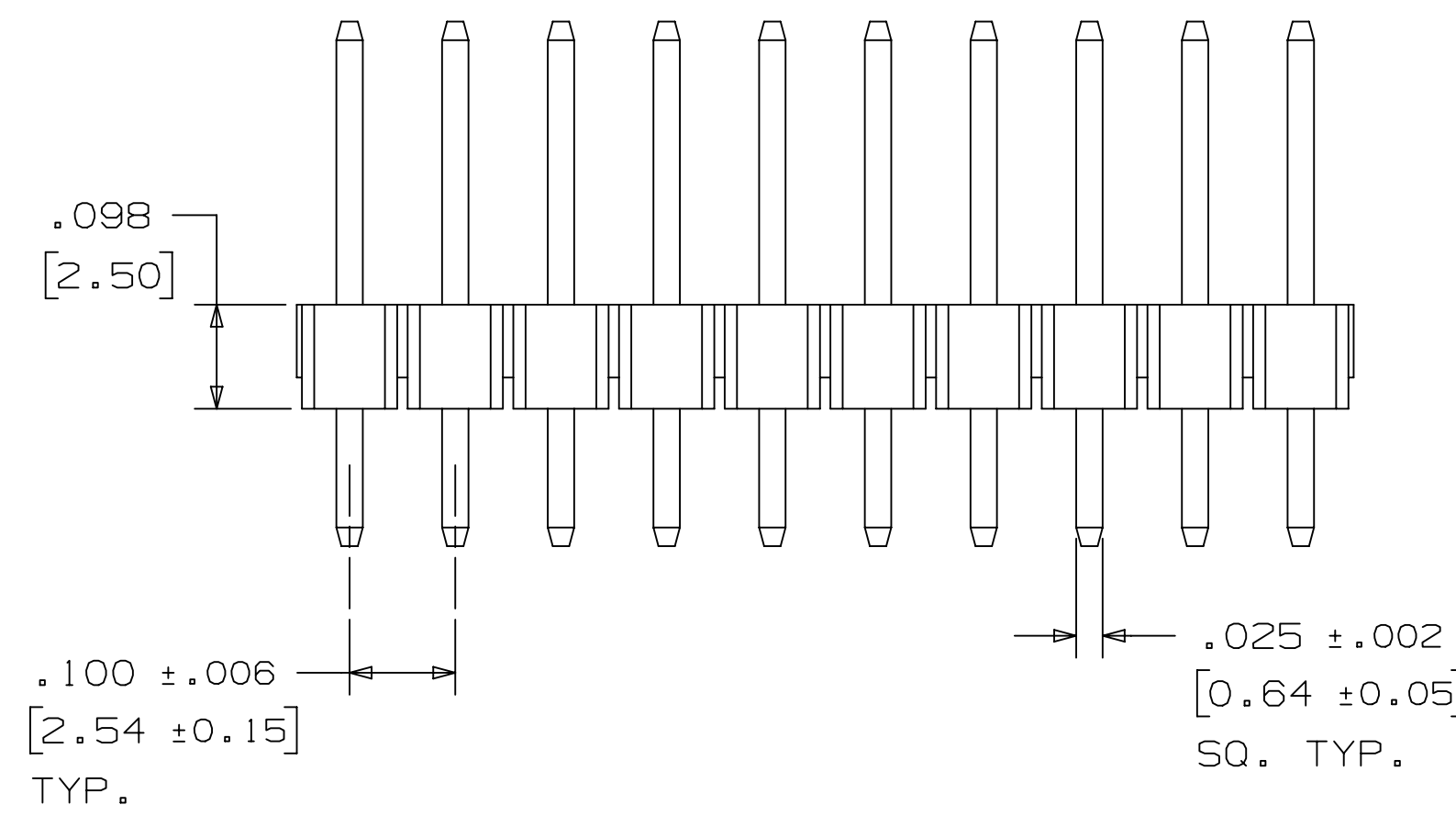
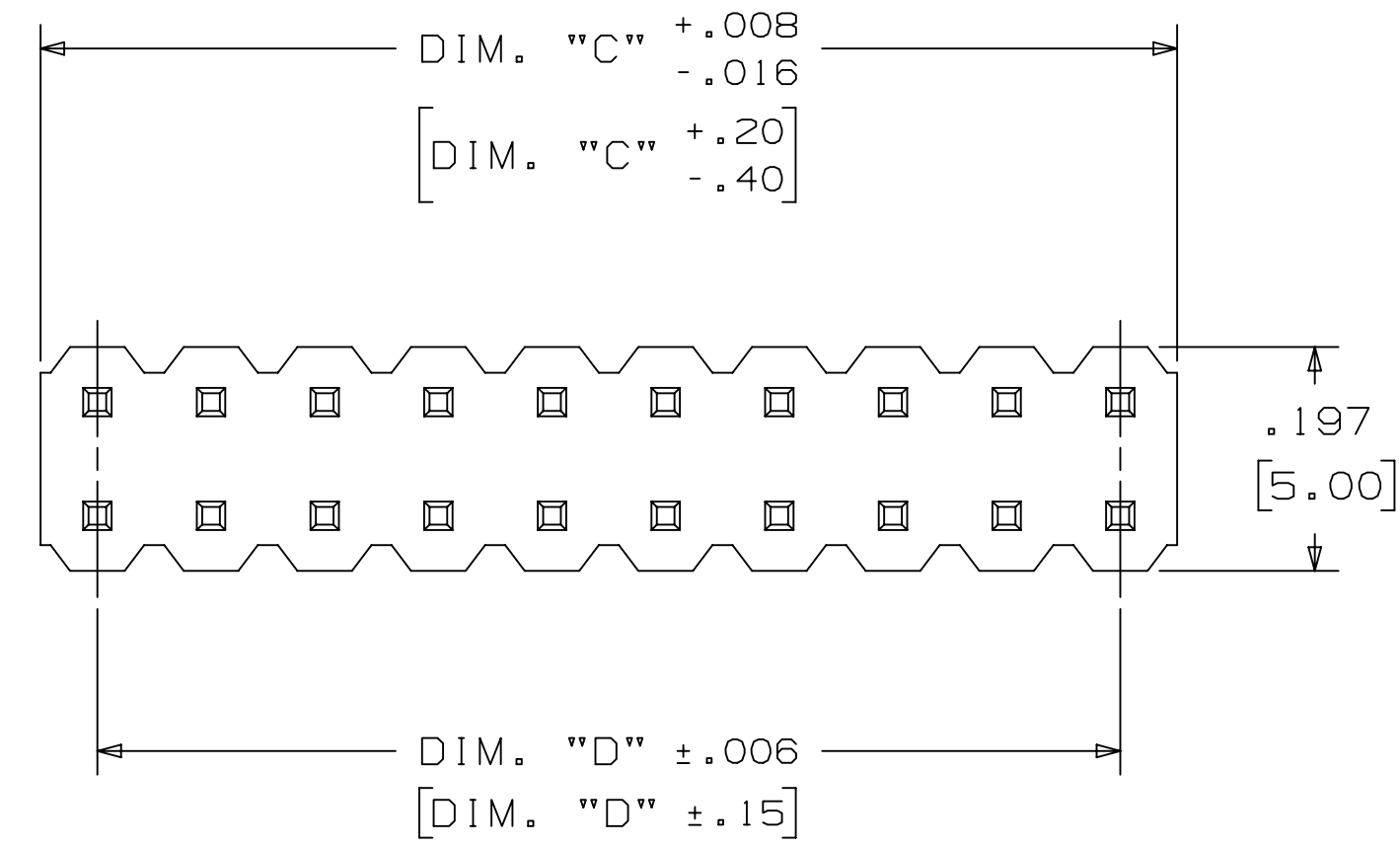
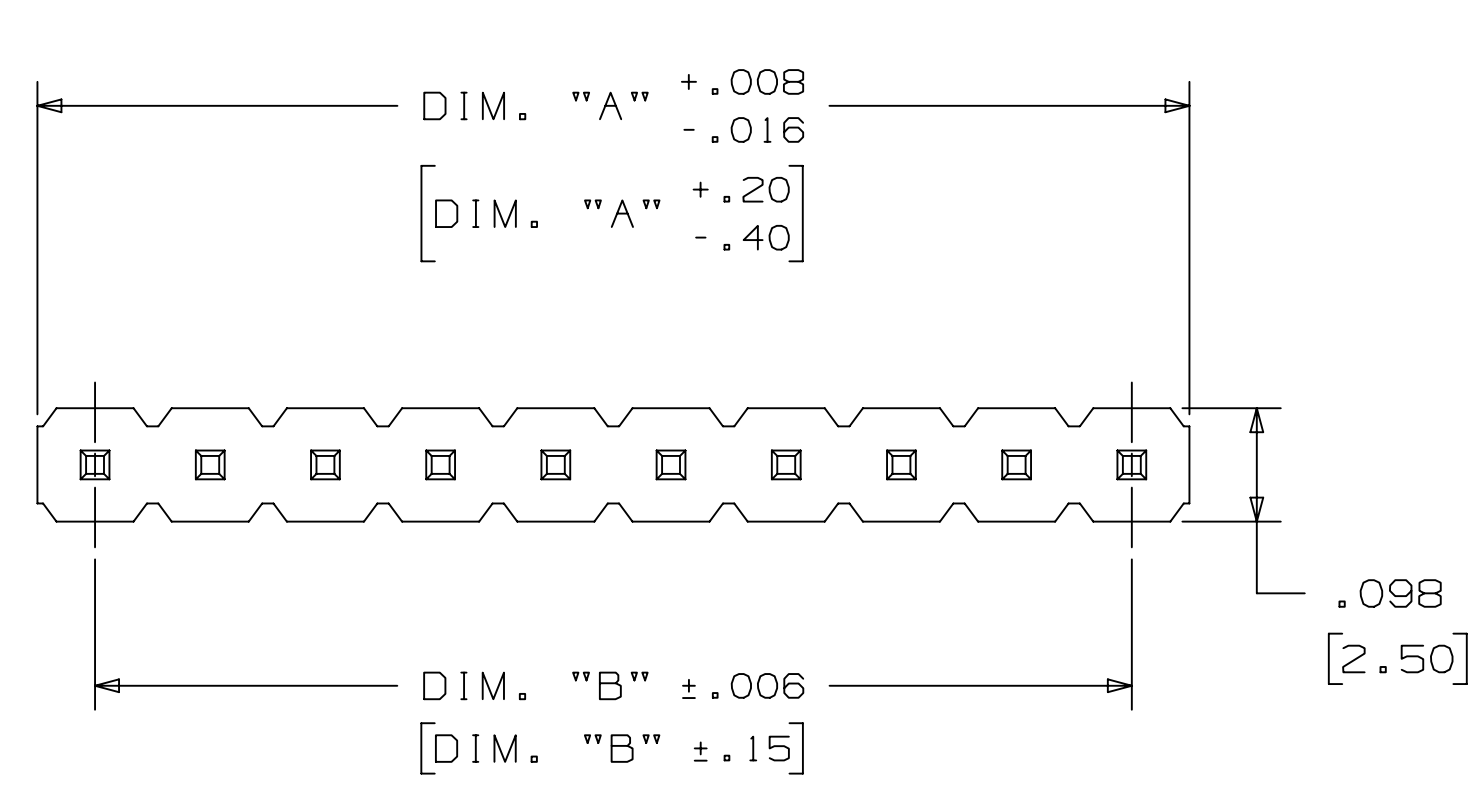
3M ELECTRONICS MATERIALS SOLUTIONS DIVISION
INTERCONNECT SOLUTIONS
<http://www.3M.com/interconnect>

3M IS A TRADEMARK OF 3M COMPANY.
FOR TECHNICAL, SALES OR ORDERING
INFORMATION CALL 800-225-5373

UL **us**
UL FILE NO: E68080

DESIGN REFERENCE	NEXT ASSEMBLY	REV	ECO	ISSUE DATE AND DESCRIPTION	DRFT	CHKD
		B	104062	APR 21, 2022 UPDATE DWG TO CURRENT STANDARDS	JNC	FJR
		A	72044	MAR 06, 2017 REVISE ELECTRICAL, MECHANICAL & ENVIRONMENTAL NOTES 2-2-17 REMOVE 5 CONNECTORS PRODUCTION RELEASE	JNC	TS
DRG CODES		DRFT	CASTIGLIONE	DATE APR 22, 2015	MFG	DATE
		CHKD		DATE	APPRV	DATE
					T. SUNIGA	APR 22, 2015
DIVISION	DIVISION CODE	© 3M COPYRIGHT 2022 This document and the information it contains are 3M property and may not be reproduced or further distributed without 3M permission, or used or disclosed other than for 3M authorized purposes. All rights reserved.				
DO NOT SCALE DRAWING	SCALE 6/1	TOLERANCES EXCEPT AS NOTED		INCHES: .0 ± .02 .00 ± .008 .000 ± .005 .0000 ± .0002 MILLIMETERS: 0 ± .0 ± .00 ± .000 ±		
THIRD ANGLE PROJECTION	INTERPRET PER ASME Y14.5 - 2018	MAX SURFACE ROUGHNESS		TITLE PIN STRIP HEADER, 2.54MM, STRAIGHT		
<input checked="" type="checkbox"/> MARKED ONLY	ANGLES	CAGE NUMBER	SIZE	DRAWING NO.	REV.	
		D		78-5100-2659-0	B	
		MODEL	961XXX	DET	ISTS	YES <input type="checkbox"/> NO <input type="checkbox"/> SHT 1 OF 4

3M™ PIN STRIP HEADER, 961 SERIES
 2.54MM AND 2.54MM X 2.54MM STRAIGHT SOLDER TAIL



ORDERING INFORMATION
 STRAIGHT VERSION
 (SINGLE INSULATOR ONLY)

961XXX-6X04-AR

No. OF ROWS:
 1 = 1 ROW
 2 = 2 ROW

PIN MATE LENGTH
 DIM. "E"
 4 = .22 [5.5]
 8 = .27 [6.8]

CONTACT QTY.
 36 PINS = 1 ROW
 72 PINS = 2 ROW

TABLE 1	
DIM. "A"	.100 [2.54] X N
DIM. "B"	.100 [2.54] X (N-1)
DIM. "C"	.100 [2.54] X (N/2)
DIM. "D"	.100 [2.54] X (N/2-1)
SEE NOTE 3	

3M ELECTRONICS MATERIALS SOLUTIONS DIVISION
 INTERCONNECT SOLUTIONS
<http://www.3M.com/interconnect>

3M IS A TRADEMARK OF 3M COMPANY.
 FOR TECHNICAL, SALES OR ORDERING
 INFORMATION CALL 800-225-5373

DESIGN REFERENCE	NEXT ASSEMBLY	REV	ECO	ISSUE DATE AND DESCRIPTION	DRFT	CHKD
		B	104062	APR 21, 2022 UPDATE DWG TO CURRENT STANDARDS	JNC	FJR
		A	72044	MAR 06, 2017 REVISE ELECTRICAL, MECHANICAL & ENVIRONMENTAL NOTES 2-2-17 REMOVE 5 CONNECTORS PRODUCTION RELEASE	JNC	TS
				APR 22, 2015		
				APR 22, 2015		
				APR 22, 2015		

DO NOT SCALE DRAWING	SCALE 6/1	TOLERANCES EXCEPT AS NOTED
THIRD ANGLE PROJECTION	INTERPRET PER ASME Y14.5 - 2018	MILLIMETERS
MAX. SURFACE ROUGHNESS	UNFINISHED SURFACES	ANGLES
<input checked="" type="checkbox"/> MARKED ONLY		

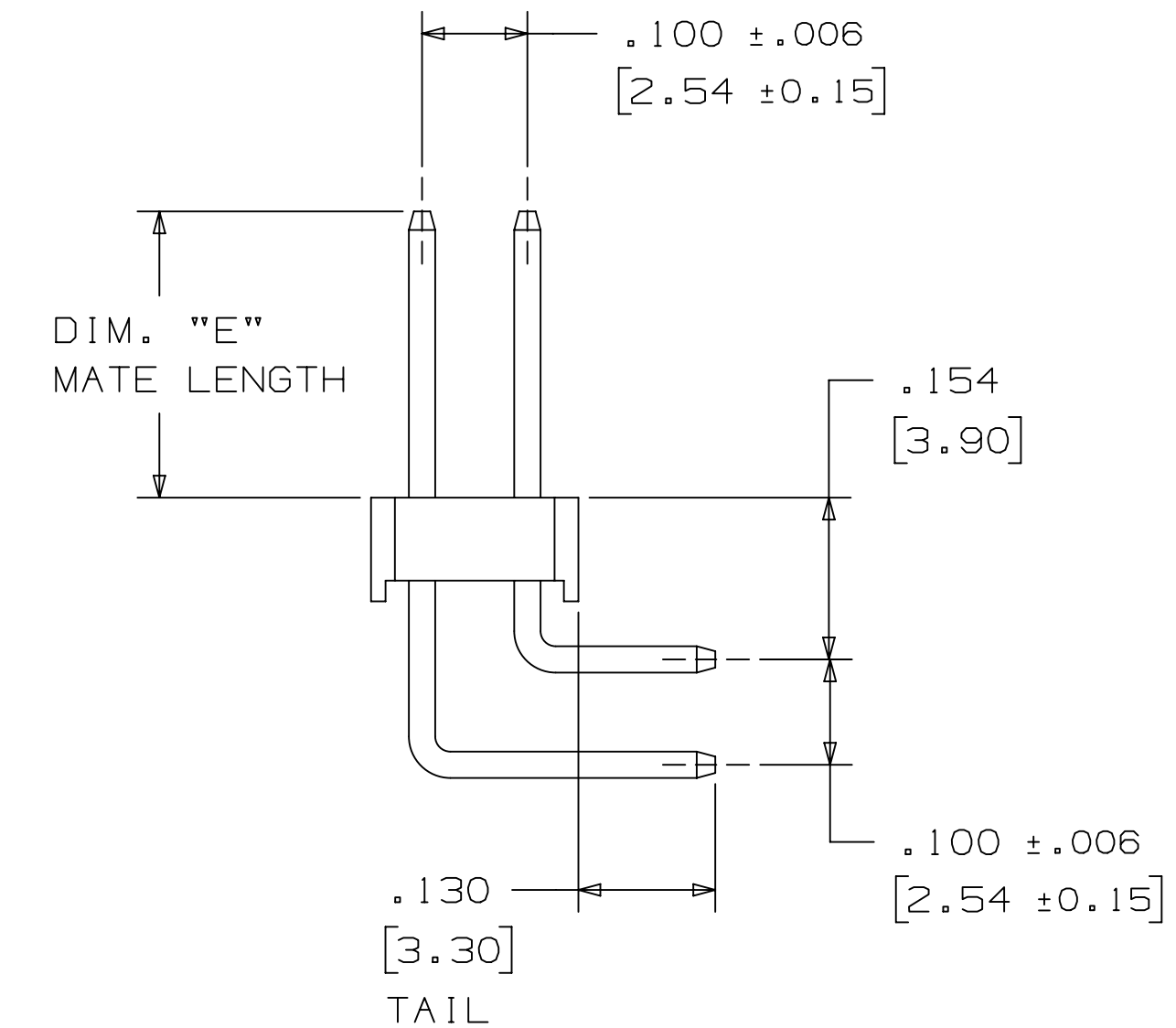
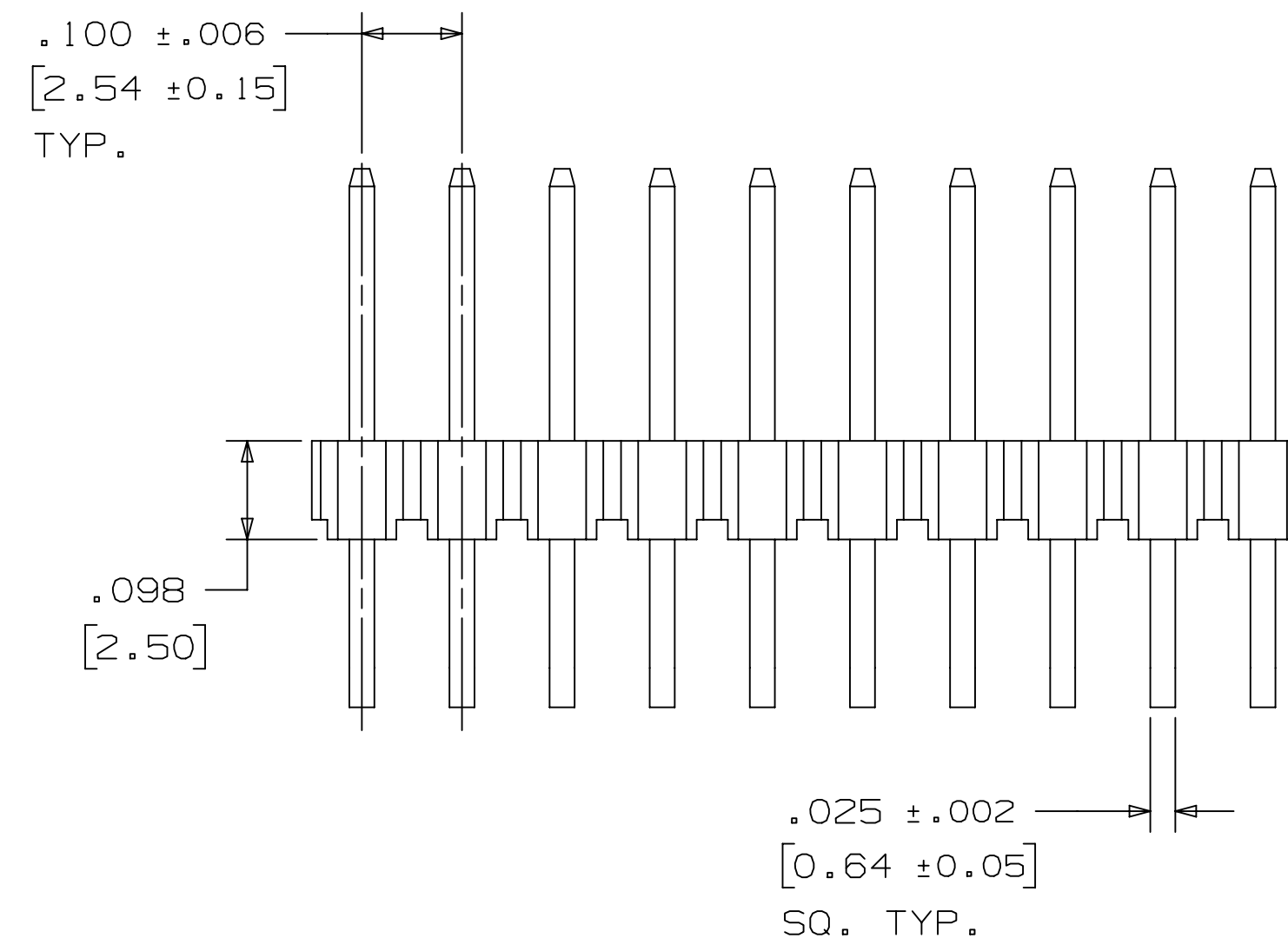
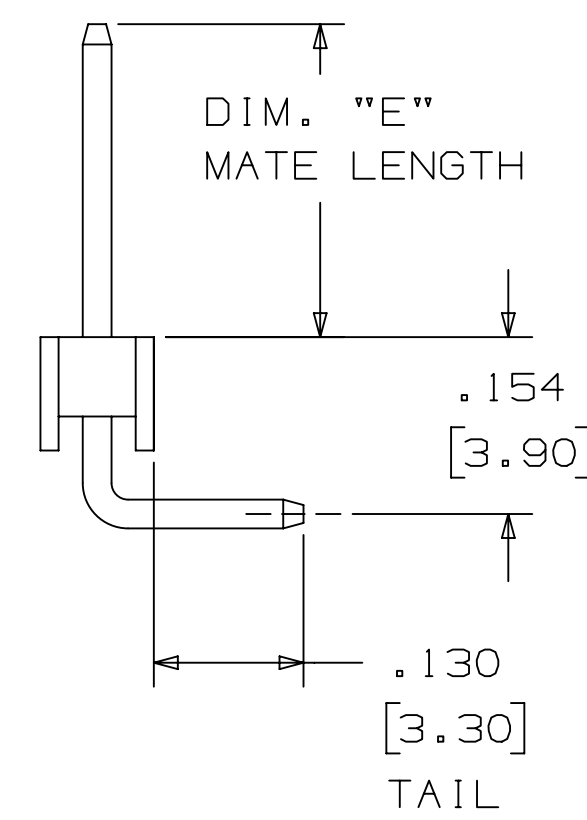
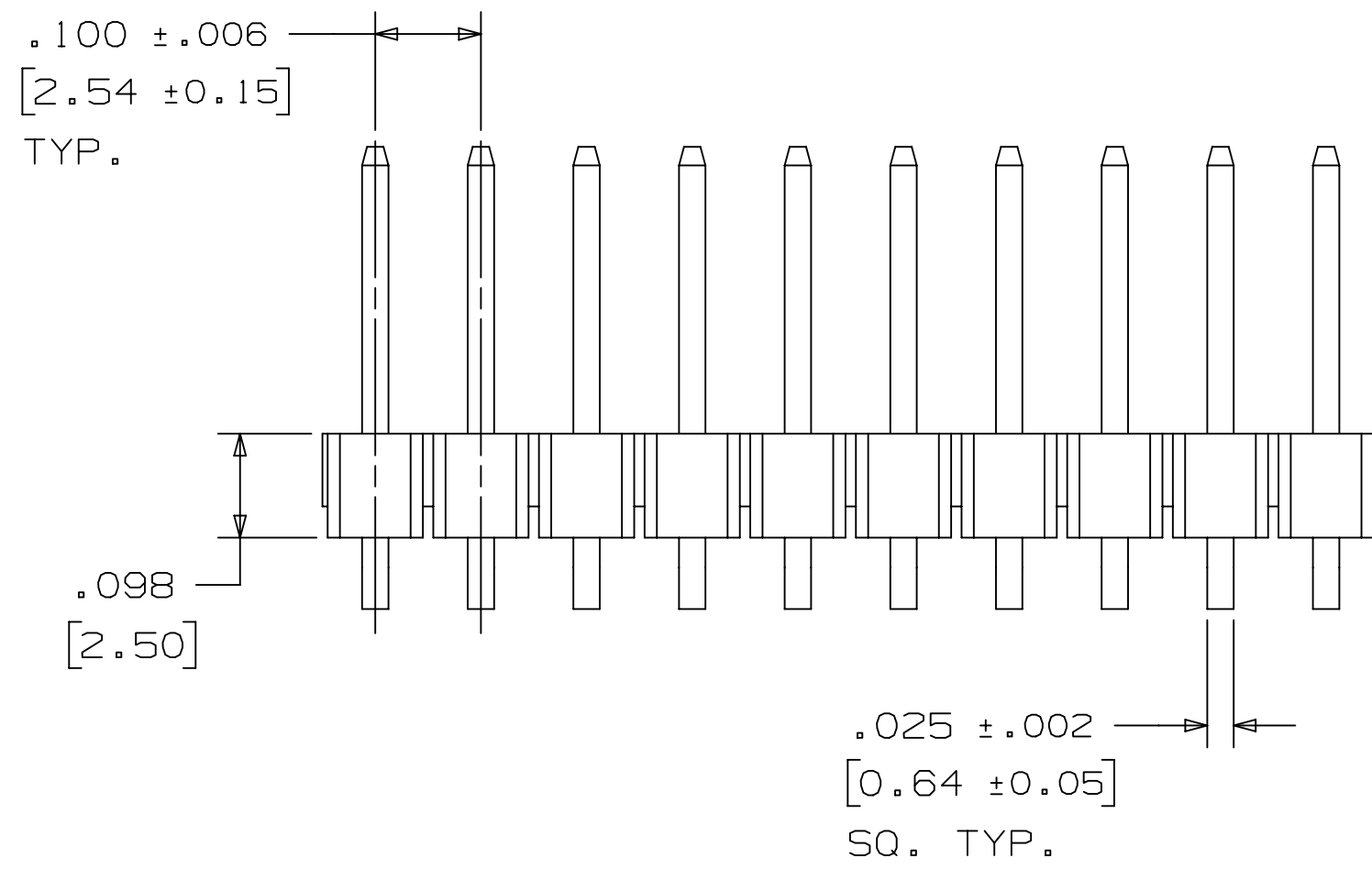
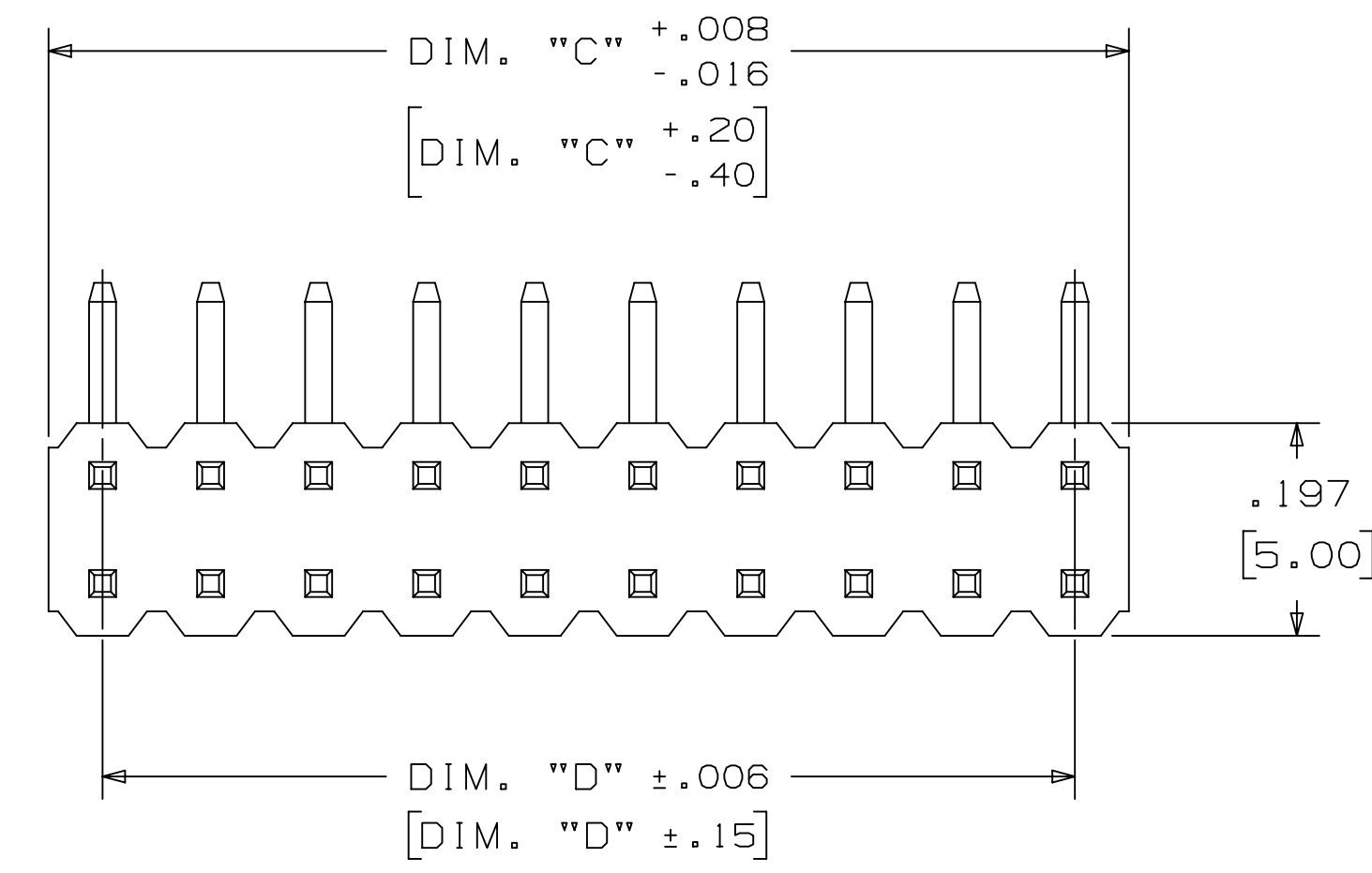
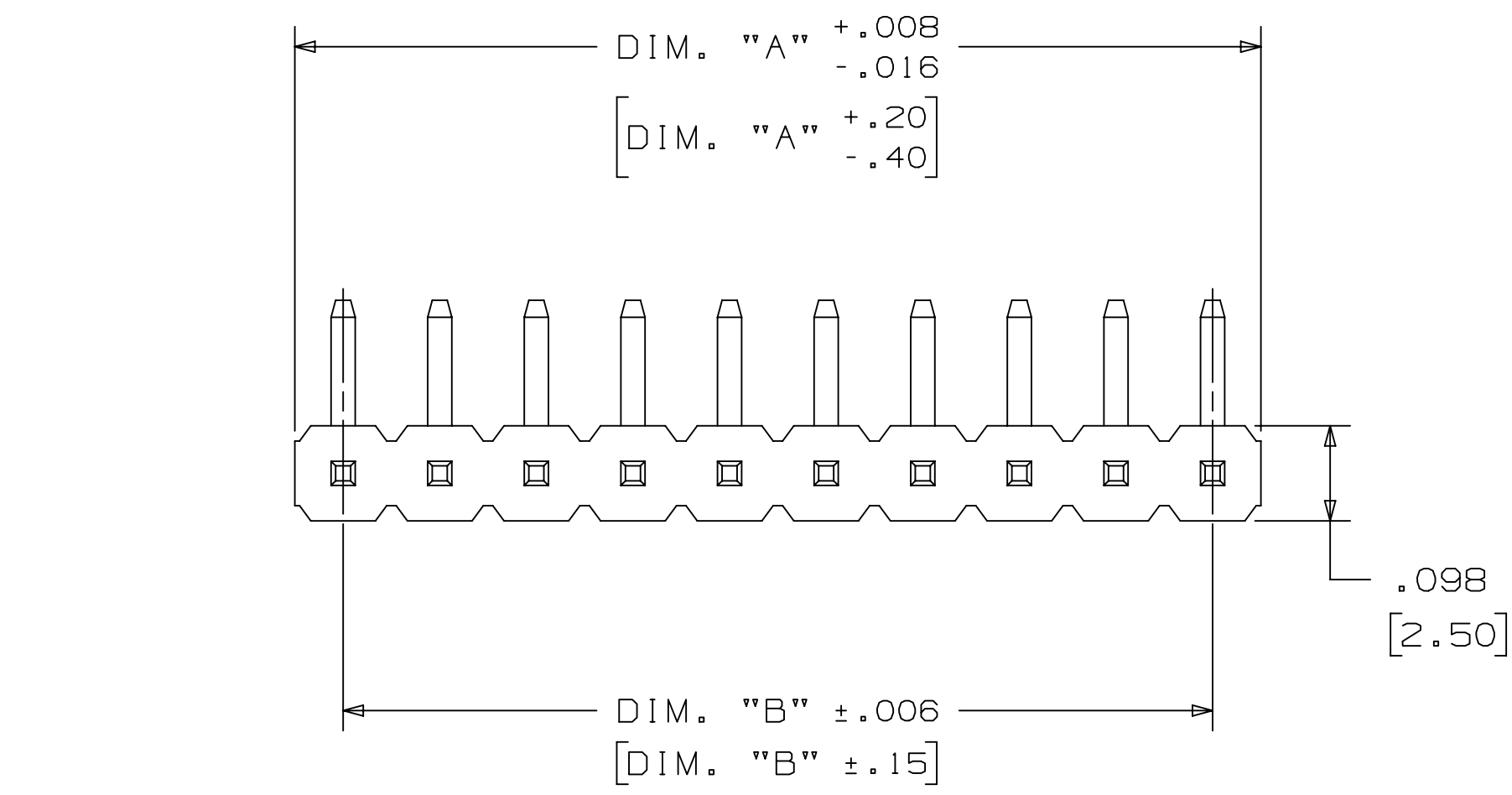
3M Center St. Paul, MN 55144		© 3M COPYRIGHT 2022 This document and the information it contains are 3M property and may not be reproduced or further distributed without 3M permission, or used or disclosed other than for 3M authorized purposes. All rights reserved.	
TITLE PIN STRIP HEADER, 2.54MM, STRAIGHT		CAGE NUMBER D78-5100-2659-0	
MODEL 961XXX		REV. B	

78-5100-2659-0
 DRAWING NUMBER

A

SHT 2 OF 4

3M™ PIN STRIP HEADER, 961 SERIES
2.54MM AND 2.54MM X 2.54MM STRAIGHT SOLDER TAIL



ORDERING INFORMATION
RIGHT ANGLE VERSION

961XXX-5X04-AR

No. OF ROWS:
1 = 1 ROW
2 = 2 ROW

PIN MATE LENGTH
DIM. "E"
6 = .24 [6.1]
8 = .27 [6.8]

CONTACT QTY.
36 PINS = 1 ROW
72 PINS = 2 ROW

TABLE 2	
DIM. "A"	.100 [2.54] X N
DIM. "B"	.100 [2.54] X (N-1)
DIM. "C"	.100 [2.54] X (N/2)
DIM. "D"	.100 [2.54] X (N/2-1)
SEE NOTE 3	

3M ELECTRONICS MATERIALS SOLUTIONS DIVISION
INTERCONNECT SOLUTIONS
<http://www.3M.com/interconnect>

3M IS A TRADEMARK OF 3M COMPANY.
FOR TECHNICAL, SALES OR ORDERING
INFORMATION CALL 800-225-5373

REV	ECO	ISSUE DATE AND DESCRIPTION	DRFT	CHKD
B	104062	APR 21, 2022 UPDATE DWG TO CURRENT STANDARDS	JNC	FJR
A	72044	MAR 06, 2017 REVISE ELECTRICAL, MECHANICAL & ENVIRONMENTAL NOTES 2-2-17 REMOVE 5 CONNECTORS PRODUCTION RELEASE	JNC	TS

DESIGN REFERENCE	NEXT ASSEMBLY	REV	ECO	ISSUE DATE AND DESCRIPTION	DRFT	CHKD
		DRFT	CASTIGLIONE	DATE APR 22, 2015	MFG	DATE
		CHKD		DATE	APPRV	DATE APR 22, 2015
					T. SUNIGA	

DO NOT SCALE DRAWING	SCALE 6/1	TOLERANCES EXCEPT AS NOTED
THIRD ANGLE PROJECTION	INTERPRET PER ASME Y14.5 - 2018	MILLIMETERS
MAX SURFACE ROUGHNESS	ALL SURFACES	INCHES
MARKED ONLY	ANGLES	

		© 3M COPYRIGHT 2022 This document and the information it contains are 3M property and may not be reproduced or further distributed without 3M permission, or used or disclosed other than for 3M authorized purposes. All rights reserved.
TITLE PIN STRIP HEADER, 2.54MM, STRAIGHT		MODEL 961XXX
CAGE NUMBER D78-5100-2659-0	DRAWING NO. 78-5100-2659-0	REV. B
DET. [] YES [X] NO		SHT 3 OF 4

78-5100-2659-0
DRAWING NUMBER
REVISION

8 7 6 5 4 3 2 1

3M™ PIN STRIP HEADER, 961 SERIES
2.54MM AND 2.54MM X 2.54MM STRAIGHT SOLDER TAIL

Regulatory: For regulatory information about this product, visit 3M.com/regs or contact your 3M representative.

Technical Information: The technical information, recommendations and other statements contained in this document are based upon tests or experience that 3M believes are reliable, but the accuracy or completeness of such information is not guaranteed.

Product Use: Many factors beyond 3M's control and uniquely within user's control can affect the use and performance of a 3M product in a particular application. Given the variety of factors that can affect the use and performance of a 3M product, user is solely responsible for evaluating the 3M product and determining whether it is fit for a particular purpose and suitable for user's method of application.


Warranty, Limited Remedy, and Disclaimer: Unless an additional warranty is specifically stated on the applicable 3M product packaging or product literature, 3M warrants that each 3M product meets the applicable 3M product specification at the time 3M ships the product. 3M MAKES NO OTHER WARRANTIES OR CONDITIONS, EXPRESS OR IMPLIED, INCLUDING, BUT NOT LIMITED TO, ANY IMPLIED WARRANTY OR CONDITION OF MERCHANTABILITY OR FITNESS FOR A PARTICULAR PURPOSE OR ANY IMPLIED WARRANTY OR CONDITION ARISING OUT OF A COURSE OF DEALING, CUSTOM OR USAGE OR TRADE. If the 3M product does not conform to this warranty, then the sole and exclusive remedy is, at 3M's option, replacement of the 3M product or refund of the purchase price.

Limitation of Liability: Except where prohibited by law, 3M will not be liable for any loss or damage arising from the 3M product, whether direct, indirect, special, incidental or consequential, regardless of the legal theory asserted, including warranty, contract, negligence or strict liability.

3M Company
Electronics Materials Solutions Division
13011 McCallen Pass, Bldg. C
Austin, TX 78753-5380
1-800-225-5373
www.3M.com/interconnect

3M ELECTRONICS MATERIALS SOLUTIONS DIVISION
INTERCONNECT SOLUTIONS
<http://www.3M.com/interconnect>

3M IS A TRADEMARK OF 3M COMPANY.
FOR TECHNICAL, SALES OR ORDERING
INFORMATION CALL 800-225-5373

DESIGN REFERENCE	NEXT ASSEMBLY	REV	ECO	ISSUE DATE AND DESCRIPTION	DRFT	CHKD
DRWG CODES		DRFT	CASTIGLIONE	DATE	APR 22, 2015	MFG
		CHKD		DATE	APR 22, 2015	DATE
				APPRV	T. SUNIGA	DATE
				DATE	APR 22, 2015	
DIVISION	DIVISION CODE	 3M Center St. Paul, MN 55144 © 3M COPYRIGHT 2022 This document and the information it contains are 3M property and may not be reproduced or further distributed without 3M permission, or used or disclosed other than for 3M authorized purposes. All rights reserved.				
DO NOT SCALE DRAWING	SCALE 4/1	TOLERANCES EXCEPT AS NOTED INCHES: .0 ± .02 .00 ± .008 .000 ± .005 .0000 ± .0002 MILLIMETERS: 0 ± .0 ± .00 ± .000 ± ANGLES ±				
THIRD ANGLE PROJECTION	INTERPRET PER ASME Y14.5 - 2018	TITLE PIN STRIP HEADER, 2.54MM, STRAIGHT				
MAX SURFACE ROUGHNESS	ALL SURFACES	CAGE NUMBER	SIZE	DRAWING NO.	REV.	
<input checked="" type="checkbox"/> MARKED ONLY		D	78-5100-2659-0	B		
		MODEL	961XXX	DET	<input type="checkbox"/> YES <input checked="" type="checkbox"/> NO	SHT 4 OF 4

78-5100-2659-0
DRAWING NUMBER