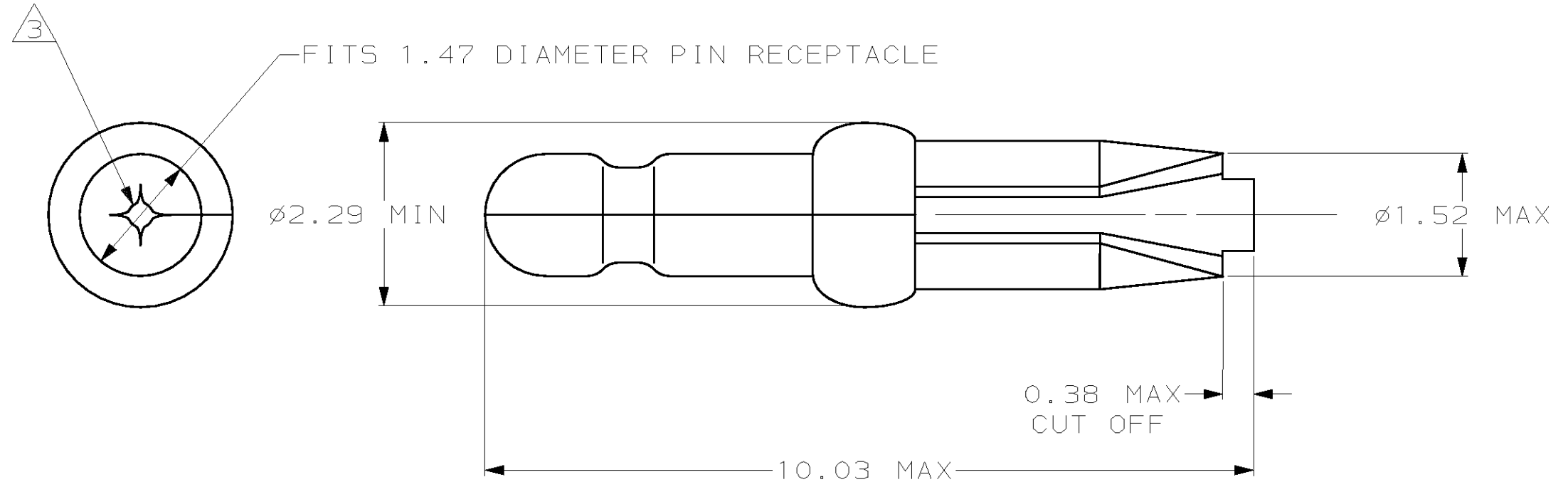
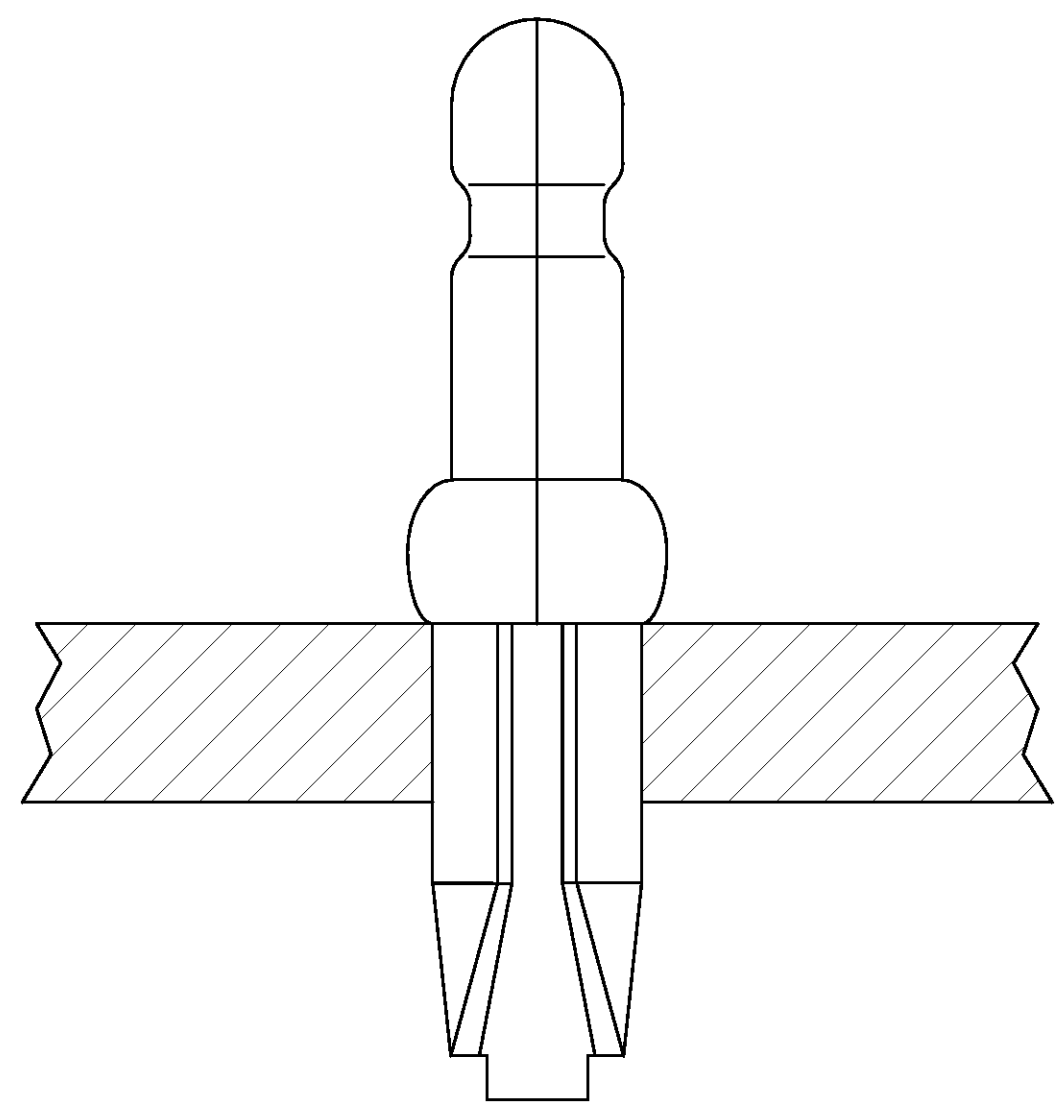
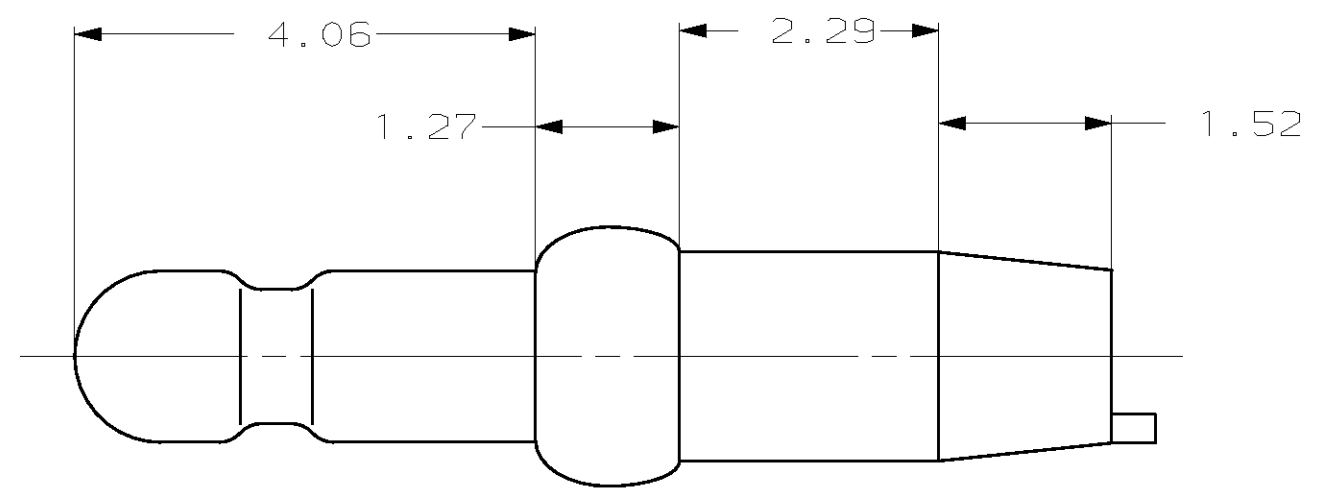


THIS DRAWING IS UNPUBLISHED. RELEASED FOR PUBLICATION
 (C) COPYRIGHT 19 BY AMP INCORPORATED. ALL RIGHTS RESERVED.

LOC		DIST		REVISIONS			
P	LTR	DESCRIPTION	DATE	DWN	APVD		
CM	52	AG	REV & REDWN PER EC 0L30-0176-97	8-21-97	TB	RS	



- FITS 1.68 - 1.78 DIAMETER HOLE IN A 1.57 OR 2.36 PRINTED CIRCUIT BOARD.
 - PARTS TO COMPLY WITH AMP SOLDERABILITY SPECIFICATION 109-11-3.
- △ 0.05 - 0.25 DIAMETER OPENING REQUIRED IN TIP OF PIN.



PRE TIN FINISH	61018-1 PART NUMBER
----------------	---------------------

MM	IN	MM	IN	MM	IN	MM	IN
0.38	.015	1.57	.062	2.36	.093	-	-
0.25	.010	1.52	.060	2.29	.090	-	-
0.13	.005	1.47	.058	1.78	.070	10.03	.395
0.05	.002	1.27	.050	1.68	.066	4.06	.160

CONVERSION TABLE

METRIC

THIS DRAWING IS A CONTROLLED DOCUMENT.		DWN	T. BECK	8-21-97
DIMENSIONS: mm		CHK	R. SWING	8-21-97
TOLERANCES UNLESS OTHERWISE SPECIFIED:		APVD	A. BEDDICK	9-10-97
0 PLC ±-		NAME		
1 PLC ±-		PIN, .058 DIAMETER, PHOSPHOR BRONZE, PRESS FIT, LOOSE PIECE, P.C. CONTACT		
2 PLC ±0.13		PRODUCT SPEC		
3 PLC ±-		108-1025		
4 PLC ±-		APPLICATION SPEC		
ANGLES ±-		114-1008		
MATERIAL		WEIGHT		
0.25 PH BRZ		-		
FINISH		CUSTOMER DRAWING		
SEE TABLE		SCALE 15:1 SHEET 1 OF 1 REV AG		

61018