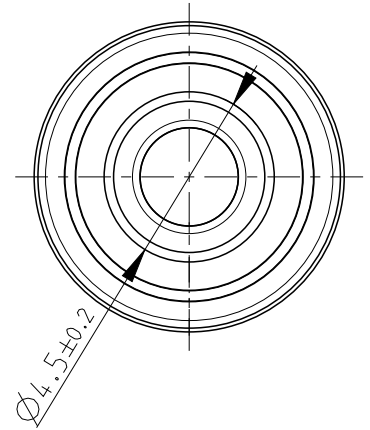
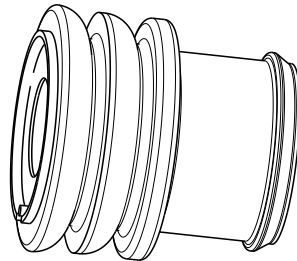
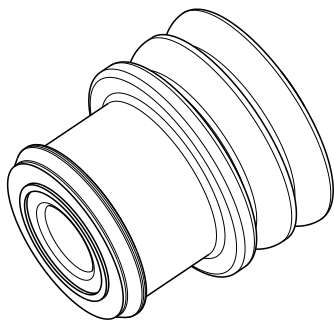
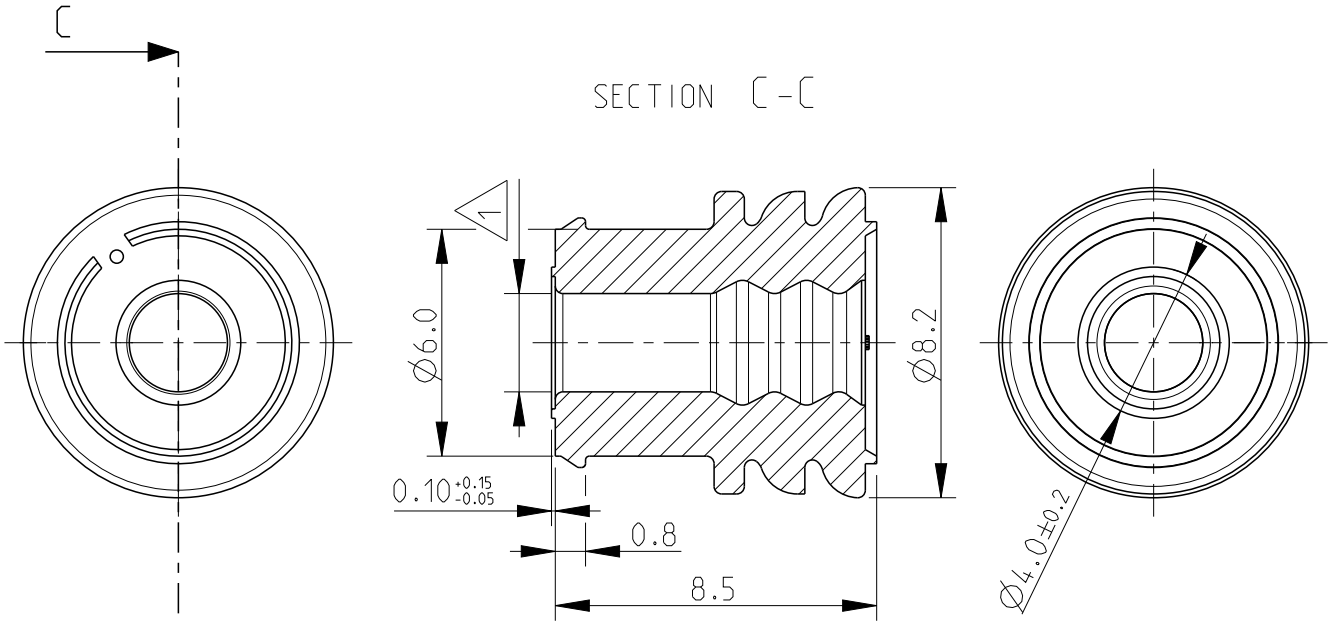


| REVISIONS | | | | | |
|-----------|-----|---------------|-----------|------|------|
| P | LTR | DESCRIPTION | DATE | DWN | APVD |
| | C2 | ECO-16-009461 | 22JUN2016 | M.G. | M.G. |
| | | | | | |
| | | | | | |



1 FOR INSULATION DIA: $\varnothing 3.4-3.7\text{mm}$

ALTERNATIVE DESIGN ADMITTED

| | | |
|--------|---|----------|
| YELLOW | SILICONE 50° SHORE A INHERENTLY LUBRICATED | 963245-1 |
| COLOR | MATERIAL | P/N |

20
 RELEASED FOR PUBLICATION
 ALL RIGHTS RESERVED.
 BY -
 THIS DRAWING IS UNPUBLISHED.
 COPYRIGHT © 20

| | | | | | | | |
|--|-------------------|--------------|------------------|-----------|-----------|------------|---------------|
| DIMENSIONS: mm | DWN R.Schan | 23AUG1989 | MATERIAL | SEE TABLE | FINISH | - | |
| | CHK M. Adamski | 23AUG1989 | | | | | |
| TOLERANCES UNLESS OTHERWISE SPECIFIED: | APVD | - | | | | | NAME |
| | 0 PLC ± 0.3 | PRODUCT SPEC | - | SIZE | CAGE CODE | DRAWING NO | RESTRICTED TO |
| 1 PLC ± | APPLICATION SPEC | - | A 4 | - | C=963245 | - | |
| 2 PLC ± | WEIGHT | 0.258g | CUSTOMER DRAWING | | | | SCALE |
| 3 PLC ± | | | | | | | 5:1 |
| 4 PLC ± | | | | | | | SHEET |
| ANGLES ±° | | | | | | | 1 OF 1 |
| | | | | | | | REV |
| | | | | | | | C2 |