

回路番号1
CIRCUIT No.1
INDICATOR MARK

トレードマーク
TRADE MARK

キャビティ番号
CAVITY No.

CIRCUIT.No.2



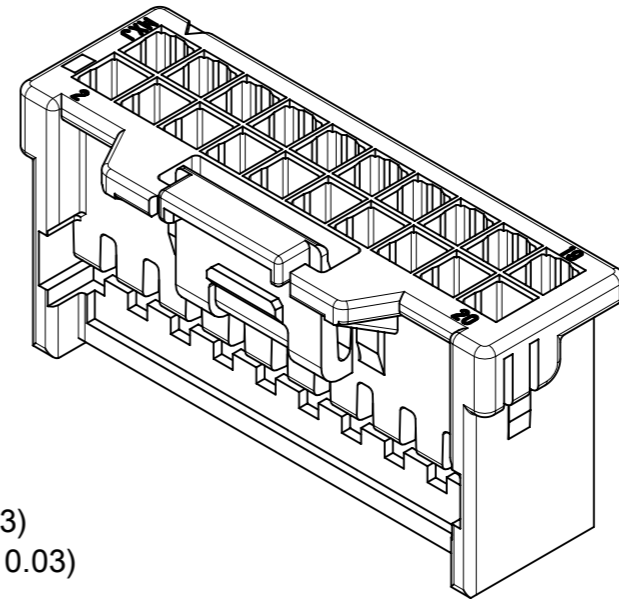
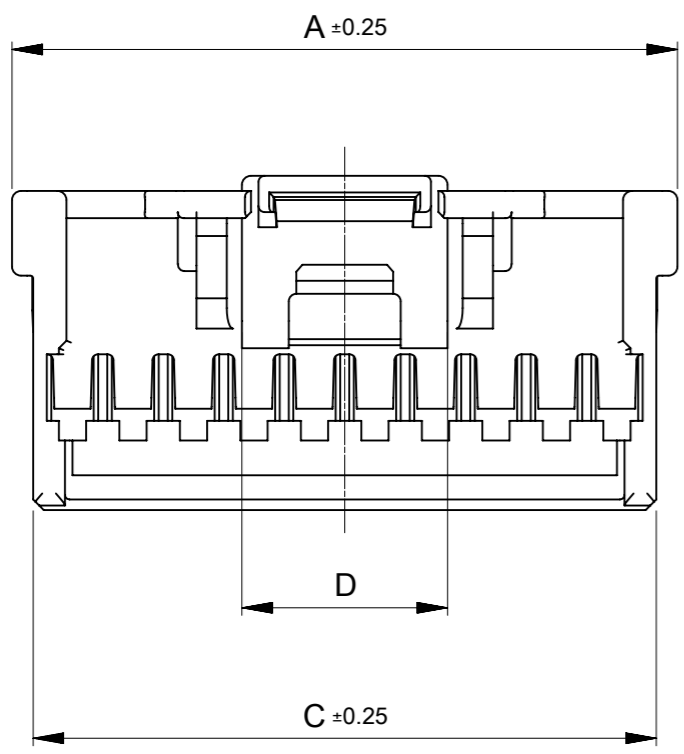
注記
NOTES

- ① 材料: TABLE 1 参照
MATERIAL : SEE TABLE 1
- ② 極数/2=偶数 となる極数に適用
APPLY FOR CIRCUIT SIZE/2 = EVEN
- 3. 関連製品・書類はSHEET 2を参照ください
REFER TO SHEET 2 ABOUT RELATED PRODUCTS AND DOCUMENTS.
- 4. オーダー番号(製品番号): SHEET 2の製品一覧を参照ください
ORDER No. (PRODUCT No.) : REFER TO SHEET 2 FOR PRODUCT LIST.

501646-0***

極数
CIRCUIT SIZE

| |
|---------------------------|
| ハウジングカラー HOUSING COLOR |
| 0: ナチュラル NATURAL |
| 1: 黒 BLACK |
| 2: 赤 RED |
| 4: 青 BLUE |
| 6: 緑 GREEN |



| | | | | |
|-----|------|----|----|--------------------|
| 6.8 | 40.6 | 38 | 42 | 40 |
| 6.8 | 38.6 | 36 | 40 | 38 |
| 6.8 | 36.6 | 34 | 38 | 36 |
| 6.8 | 34.6 | 32 | 36 | 34 |
| 6.8 | 32.6 | 30 | 34 | 32 |
| 6.8 | 30.6 | 28 | 32 | 30 |
| 6.8 | 28.6 | 26 | 30 | 28 |
| 6.8 | 26.6 | 24 | 28 | 26 |
| 6.8 | 24.6 | 22 | 26 | 24 |
| 6.8 | 22.6 | 20 | 24 | 22 |
| 6.8 | 20.6 | 18 | 22 | 20 |
| 6.8 | 18.6 | 16 | 20 | 18 |
| 6.8 | 16.6 | 14 | 18 | 16 |
| 6.8 | 14.6 | 12 | 16 | 14 |
| 6.8 | 12.6 | 10 | 14 | 12 |
| 5.1 | 10.6 | 8 | 12 | 10 |
| D | C | B | A | 極数 CIRCUIT SIZE |

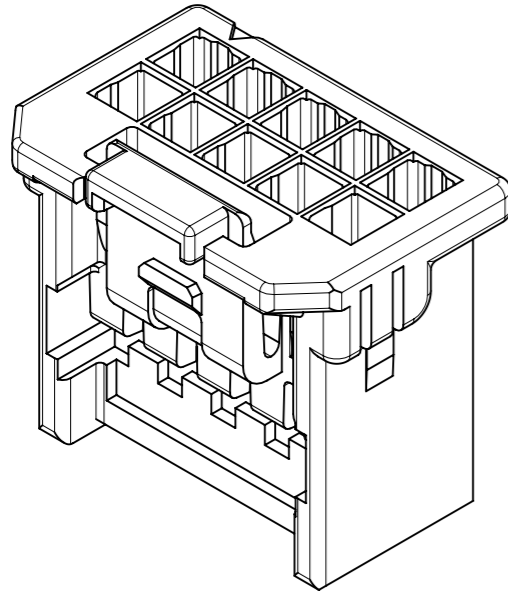
① TABLE 1

| | |
|------------------|---|
| 部品 PART | 材質 MATERIAL |
| ハウジング HOUSING | ポリアミド(PA)ガラス無し、UL94V-0、色: SEE CHART POLYAMIDE(PA) UNFILLED, UL94V-0,COLOR: SEE CHART |

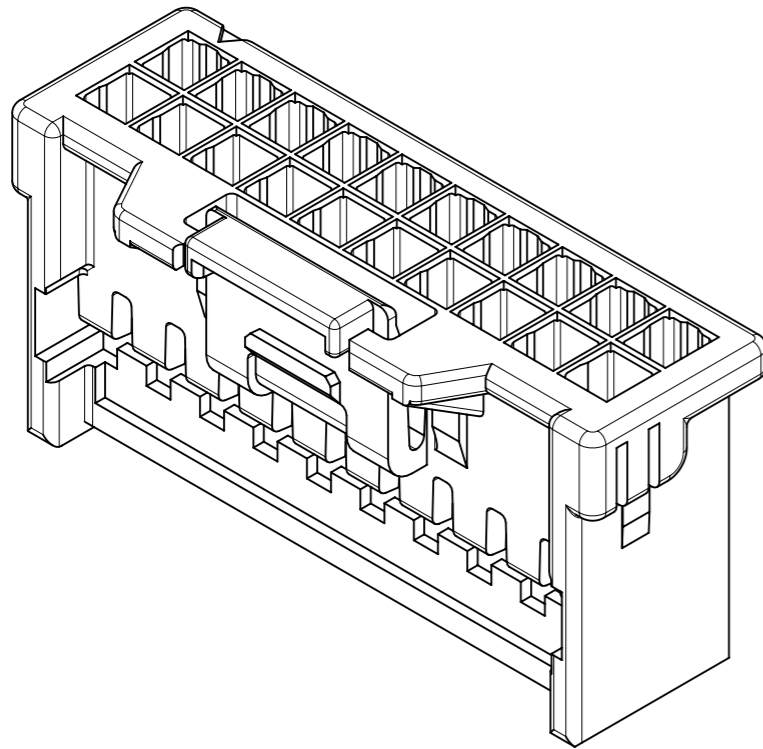
THIS DRAWING CONTAINS INFORMATION THAT IS PROPRIETARY TO MOLEX ELECTRONIC TECHNOLOGIES, LLC AND SHOULD NOT BE USED WITHOUT WRITTEN PERMISSION

| | | | | | | |
|--|---------|------------------------------|---------|---|-----------------|----------|
| DIMENSION UNITS | SCALE | CURRENT REV DESC: REDRAWN | | molex | | |
| mm | NTS | | | | | |
| GENERAL TOLERANCES (UNLESS SPECIFIED) | | EC NO: 711900 | | IGRID 2.0 WIRE TO BOARD RECEPTACLE HOUSING | | |
| ANGULAR TOL | ± 3.0 ° | DRWN: SNAKAMURA08 2017/09/25 | | PRODUCT CUSTOMER DRAWING | | |
| 4 PLACES | ± 0.2 | CHK'D: KOMURAKAMI 2022/07/20 | | DOCUMENT NUMBER | | |
| 3 PLACES | ± 0.2 | APPR: SAKIYAMA 2022/07/20 | | 5016460000-SD | | |
| 2 PLACES | ± 0.2 | INITIAL REVISION: | | DOC TYPE | DOC PART | REVISION |
| 1 PLACE | ± 0.2 | DRWN: SNAKAMURA08 2017/09/25 | | PSD | 000 | A |
| 0 PLACES | ± 0.2 | APPR: SAKIYAMA 2022/07/20 | | SHEET NUMBER | | |
| DRAFT WHERE APPLICABLE MUST REMAIN WITHIN DIMENSIONS | | THIRD ANGLE PROJECTION | DRAWING | SERIES | MATERIAL NUMBER | CUSTOMER |
| | | | A3-SIZE | 501646 | SEE SHEET 2 | GENERAL |

各極数毎の製品形状
PRODUCT SHAPE AT EACH CIRCUIT



10, 12極形状
VIEW OF 10, 12 CIRCUIT



14 ~ 40極形状
VIEW OF 14 ~ 40 CIRCUIT

製品一覧
PRODUCT LIST

| 緑: GREEN | 青: BLUE | 赤: RED | 黒: BLACK | ナチュラル NATURAL | HOUSING COLOR |
|---|-------------|-------------|-------------|------------------|--------------------|
| 501646 4006 | 501646 4004 | 501646 4002 | 501646 4001 | 501646 4000 | 40 |
| ↑ 3806 | ↑ 3804 | ↑ 3802 | ↑ 3801 | ↑ 3800 | 38 |
| 3606 | 3604 | 3602 | 3601 | 3600 | 36 |
| 3406 | 3404 | 3402 | 3401 | 3400 | 34 |
| 3206 | 3204 | 3202 | 3201 | 3200 | 32 |
| 3006 | 3004 | 3002 | 3001 | 3000 | 30 |
| 2806 | 2804 | 2802 | 2801 | 2800 | 28 |
| 2606 | 2604 | 2602 | 2601 | 2600 | 26 |
| 2406 | 2404 | 2402 | 2401 | 2400 | 24 |
| 2206 | 2204 | 2202 | 2201 | 2200 | 22 |
| 2006 | 2004 | 2002 | 2001 | 2000 | 20 |
| 1806 | 1804 | 1802 | 1801 | 1800 | 18 |
| 1606 | 1604 | 1602 | 1601 | 1600 | 16 |
| 1406 | 1404 | 1402 | 1401 | 1400 | 14 |
| ↓ 1206 | ↓ 1204 | ↓ 1202 | ↓ 1201 | ↓ 1200 | 12 |
| 501646 1006 | 501646 1004 | 501646 1002 | 501646 1001 | 501645 1000 | 10 |
| 発注番号 ORDER No. PACKAGING STYLE : POLYBAG | | | | | 極数 CIRCUIT SIZE |

適合製品及び各種仕様書
APPLICABLE PRODUCTS AND VARIOUS SPECIFICATIONS

| | | | | |
|--|-------------------|----------------------|-------------------|-------------|
| 梱包仕様書 PACKING SPECIFICATION | PART NUMBER | SPECIFICATION NUMBER | | |
| | 501646 **0* | 5016469200 PS 200 | | |
| 適合圧着端子 APPLICABLE CRIMP TERMINAL | PLATING TYPE | PART NUMBER | WIRE SIZE(AWG) | |
| | TIN | 5016471000 | #22 - #26 | |
| | | 5016481000 | #26 - #28 | |
| | GOLD | 5030952201 | #22 - #24 | |
| 5030952200 | | #26 - #28 | | |
| 適合嵌合相手 MATE WITH | TIN PLATING | | GOLD PLATING | |
| | VERTICAL | RIGHT ANGLE | VERTICAL | RIGHT ANGLE |
| シリーズ番号 SERIES No. | 501645 | 501876 | 503091 | 208659 |
| 製品仕様書 PRODUCT SPECIFICATION | PS-501646-001 | | 5016460000-PS 000 | |
| アプリケーション仕様書 APPLICATION SPECIFICATION | 5016460000 PS A01 | | | |

THIS DRAWING CONTAINS INFORMATION THAT IS PROPRIETARY TO MOLEX ELECTRONIC TECHNOLOGIES, LLC AND SHOULD NOT BE USED WITHOUT WRITTEN PERMISSION

| | | | | | | |
|--|-------|---------------------------|-----------------|--|----------|----------|
| DIMENSION UNITS | SCALE | CURRENT REV DESC: REDRAWN | | molex | | |
| mm | NTS | | | | | |
| GENERAL TOLERANCES (UNLESS SPECIFIED) | | | | IGRID 2.0 WIRE TO BOARD RECEPTACLE HOUSING | | |
| ANGULAR TOL ± 3.0° | | | | PRODUCT CUSTOMER DRAWING | | |
| 4 PLACES | ± 0.2 | EC NO: 711900 | | DOCUMENT NUMBER | | |
| 3 PLACES | ± 0.2 | DRWN: SNAKAMURA08 | 2017/09/25 | 5016460000-SD | | |
| 2 PLACES | ± 0.2 | CHK'D: KOMURAKAMI | 2022/07/20 | DOC TYPE | DOC PART | REVISION |
| 1 PLACE | ± 0.2 | APPR: SAKIYAMA | 2022/07/20 | PSD | 000 | A |
| 0 PLACES | ± 0.2 | INITIAL REVISION: | | SHEET NUMBER | | |
| DRAFT WHERE APPLICABLE MUST REMAIN WITHIN DIMENSIONS | | DRWN: SNAKAMURA08 | 2017/09/25 | 2 OF 2 | | |
| THIRD ANGLE PROJECTION | | APPR: SAKIYAMA | 2022/07/20 | | | |
| DRAWING | | SERIES | MATERIAL NUMBER | CUSTOMER | | |
| A3-SIZE | | 501646 | SEE TABLE | GENERAL | | |