

PART NO. MATRIX

0 8 1 2 - 0 X A M F - X X X 0 0

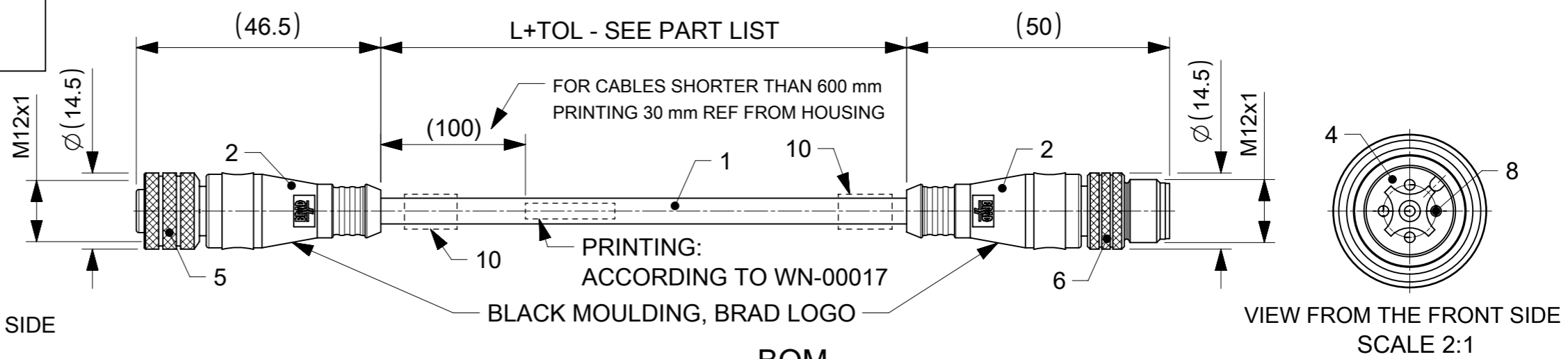
0812=Micro-Change
M12x1 Double Ended

NO. OF POLES
03=3 POLE
04=4 POLE
05=5 POLE

FEMALE / MALE CONNECTOR
TYPE OF CONNECTOR :
A = MALE STRAIGHT-
FEMALE STRAIGHT

LENGTH :
01=1M
10=10M
SPECIAL LENGTH :
90=1.5M
91=0.6M
92=0.3M
95=7.5M
96=12.5M
97=17.5M

TYPE OF CABLE MATERIAL :
1 = PVC STANDARD
2 = PUR STANDARD
C = UL-CABLE PVC
M = PUR 0.25%



BOM

| ITEM | QTY. | DESCRIPTION | MATERIAL | FINISH / COLOR |
|------|---------------|-------------------------|----------------|-------------------------------|
| 10 | 2 | I/D CARRIER | PVC | TRANSPARENT |
| 9 | 1 | GASKET | FPM | RED |
| 8 | 3, 4 & 5 | CONTACT 10 MA STA AU | COPPER | SELECTIVE GOLD OVER NI-PLATED |
| 7 | 3, 4 & 5 | CONTACT 10 FE STA AU | BRONZE | SELECTIVE GOLD OVER NI-PLATED |
| 6 | 1 | M12 MALE COUPLING NUT | BRASS | Ni-PLATED |
| 5 | 1 | M12 FEMALE COUPLING NUT | BRASS | Ni-PLATED |
| 4 | 1 | INSERT M12 MA AC | PUR | BLACK |
| 3 | 1 | INSERT M12 FE AC | TPU | BLACK |
| 2 | - | OVERMOULD | TPU | BLACK |
| 1 | SEE PART LIST | CABLE | SEE CABLE LIST | SEE CABLE LIST |

CABLE LIST :

(For more information see Cable Data Sheet)

| CABLE TYPE | NO. OF WIRES | CROSS SECTION | CABLE JACKET |
|------------------|--------------|----------------------|--------------|
| E03 | 3 | 0.34mm ² | PVC BLACK |
| P03 | 3 | 0.34mm ² | PUR BLACK |
| E02 | 4 | 0.25mm ² | PVC BLACK |
| P02 | 4 | 0.25mm ² | PUR BLACK |
| E03 | 5 | 0.34mm ² | PVC BLACK |
| P03 | 5 | 0.34mm ² | PUR BLACK |
| P02 | 5 | 0.25mm ² | PUR BLACK |
| (M-SEE ENG. NO.) | 5 | 0.25mm ² | PUR BLACK |
| (F-SEE ENG. NO.) | 5 | 0.50 mm ² | PUR BLACK |
| (E-SEE ENG. NO.) | 4 | 0.50 mm ² | PVC BLACK |

NOTES :
ELECTRICAL DATA :
VOLTAGE RATING : 3/4P A-Code 250V
VOLTAGE RATING : 5P A-Code 60V

AMPERAGE RATING : 4A
INSULATION RESISTANCE : 10⁹ Ω MIN.
MATING CYCLES : MAX. 100

ENVIRONMENTAL :
PROTECTION : IP67
OPERATING TEMPERATURE : -25°C TO +85°C
STATIC BENDING RADIUS : >5xO.D TO >10xO.D.
DYNAMIC BENDING RADIUS : >8xO.D TO >15xO.D.

| | | | | |
|-----------------|----|--------------|------------|----------|
| DOCUMENT STATUS | P1 | RELEASE DATE | 2021/03/16 | 13:03:07 |
|-----------------|----|--------------|------------|----------|

THIS DRAWING CONTAINS INFORMATION THAT IS PROPRIETARY TO MOLEX ELECTRONIC TECHNOLOGIES, LLC AND SHOULD NOT BE USED WITHOUT WRITTEN PERMISSION

CURRENT REV DESC: OBSOLETE PART NUMBER

molex

CSE M12 XP AC FE STR PUR MA STR XM

PRODUCT CUSTOMER DRAWING

DOCUMENT NUMBER: 1200665076
DOC TYPE: PSD
DOC PART: 000
REVISION: A2

EC NO: 655037
DRWN: VLOKESHA
CHK'D: GGA
APPR: GGA

INITIAL REVISION:
DRWN: MDHARMANTI
APPR: RSILLER

DATE: 2020/12/22
DATE: 2021/03/16
DATE: 2021/03/16

2019/09/11
2019/10/17

DRAFT WHERE APPLICABLE MUST REMAIN WITHIN DIMENSIONS

THIRD ANGLE PROJECTION


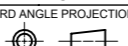
DRAWING: A3-SIZE
SERIES: 120066
MATERIAL NUMBER: SEE PART LIST
CUSTOMER: GENERAL MARKET
SHEET NUMBER: 1 OF 2

PART LIST :

| ITEM | MOLEX PN | ENGINEERING NO. | L+TOL. (mm) |
|------|------------|------------------|-------------|
| 1 | 1200665076 | 0812 05AMF 25F00 | 25000 |
| 2 | 1200665077 | 0812 05AMF 50F00 | 50000 |
| 3 | 1200665104 | 0812 03AMF 01100 | 1000 |
| 4 | 1200665128 | 0812 04AMF 03E00 | 3000 |
| 5 | 1200665131 | 0812 04AMF 15200 | 15000 |
| 6 | 1200665132 | 0812 04AMF 20200 | 20000 |
| 7 | 1200665136 | 0812 04AMF 95200 | 7500 |
| 8 | 1200665139 | 0812 04AMF 96200 | 12500 |
| 11 | 1200665261 | 0812 03AMF 01200 | 1000 |
| 12 | 1200665268 | 0812 04AMF 01100 | 1000 |
| 13 | 1200665270 | 0812 04AMF 02100 | 2000 |
| 14 | 1200665272 | 0812 04AMF 05200 | 5000 |
| 15 | 1200665274 | 0812 04AMF 91100 | 600 |
| 18 | 1200665283 | 0812 05AMF 05200 | 5000 |
| 21 | 1200665304 | 0812 03AMF 92200 | 300 |
| 22 | 1200665324 | 0812 04AMF 07100 | 7000 |
| 23 | 1200665325 | 0812 04AMF 91200 | 600 |
| 24 | 1200665331 | 0812 04AMF 97200 | 17500 |
| 28 | 1200665361 | 0812 03AMF 02200 | 2000 |
| 29 | 1200665362 | 0812 03AMF 05200 | 5000 |
| 30 | 1200665363 | 0812 03AMF 03200 | 3000 |
| 31 | 1200665364 | 0812 03AMF 08200 | 8000 |
| 32 | 1200665367 | 0812 03AMF 10200 | 10000 |
| 33 | 1200071710 | 0812 04AMF 05C00 | 5000 |
| 34 | 1200072890 | 0812 04AMF 10C00 | 10000 |
| 35 | 1200665303 | 0812 03AMF 15800 | 15000 |
| 36 | 1200668023 | 0812 04AMF 02C00 | 2000 |

CABLE LENGTH TOLERANCES

| LENGTH | TOLERANCE |
|----------|------------|
| 0m-1m | +40 mm |
| >1m-5m | +60 mm |
| >5m-10m | +80 mm |
| >10m-20m | +140 mm |
| >20m-30m | +160 mm |
| >30m | +1% length |

| | | | | | | | | | | |
|---|-------|---|---------|--------|---|----------------|--------------|----------|----------|----------|
| THIS DRAWING CONTAINS INFORMATION THAT IS PROPRIETARY TO MOLEX ELECTRONIC TECHNOLOGIES, LLC AND SHOULD NOT BE USED WITHOUT WRITTEN PERMISSION | | | | | | | | | | |
| DIMENSION UNITS | SCALE | CURRENT REV DESC: OBSOLETE PART NUMBER | | |  | | | | | |
| mm | 1:1 | | | | | | | | | |
| GENERAL TOLERANCES (UNLESS SPECIFIED) | | EC NO: 655037 | | | CSE M12 XP AC FE STR PUR MA STR XM | | | | | |
| ANGULAR TOL ± ° | | DRWN: VLOKESHA 2020/12/22 | | | PRODUCT CUSTOMER DRAWING | | | | | |
| 4 PLACES ± | | CHK'D: GGA 2021/03/16 | | | DOCUMENT NUMBER | | | | | |
| 3 PLACES ± | | APPR: GGA 2021/03/16 | | | 1200665076 | | | DOC TYPE | DOC PART | REVISION |
| 2 PLACES ± | | INITIAL REVISION: | | | | | | PSD | 000 | A2 |
| 1 PLACE ± | | DRWN: MDHARMANTI 2019/09/11 | | | | | | | | |
| 0 PLACES ± | | APPR: RSILLER 2019/10/17 | | | | | | | | |
| DRAFT WHERE APPLICABLE MUST REMAIN WITHIN DIMENSIONS | | THIRD ANGLE PROJECTION | DRAWING | SERIES | MATERIAL NUMBER | CUSTOMER | SHEET NUMBER | | | |
| | |  | A3-SIZE | 120066 | SEE PART LIST | GENERAL MARKET | 2 OF 2 | | | |