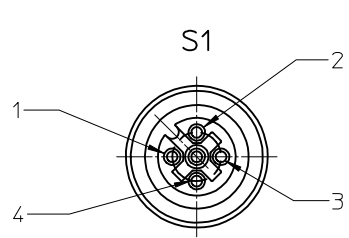


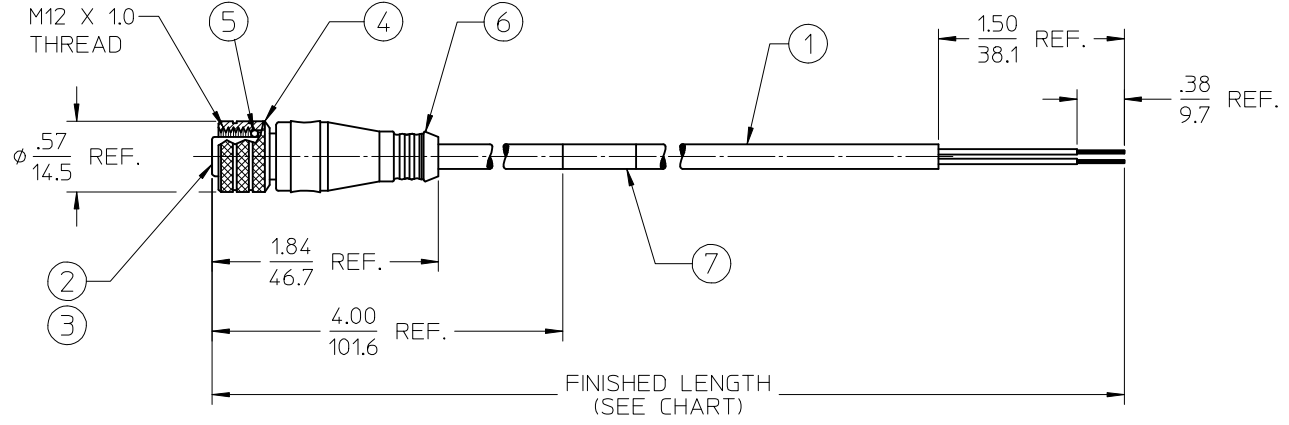
10	9	8	7
MATERIAL NO.	ENGINEERING NO.	FINISHED LENGTH	
1200652213	804000A14M010A	3' 4" +2.19-0 (1M +55.6mm-0)	
1200652223	804000A14M020A	6' 7" +3.50-0 (2M +88.9mm-0)	
1200652224	804000A14M030A	9' 10" +3.50-0 (3M +88.9mm-0)	
1200652220	804000A14M050A	16' 5" +6.50-0 (5M +165.1mm-0)	
1200652225	804000A14M100A	32'10" +12.50-0 (10M +317.5mm-0)	

CUSTOMER PRODUCTION APPROVAL  
 APPROVED BY: \_\_\_\_\_  
 DATE: \_\_\_\_\_  
 MUST BE SIGNED AND RETURNED BEFORE  
 PRODUCTION WILL BEGIN.

RESTRICTED SALES DRAWING



FEMALE FACE VIEW  
SCALE: 2X



S1

1	BROWN
2	WHITE
3	BLUE
4	BLACK

WIRING DIAGRAM

- NOTES:
1. MATERIAL: SEE TABLE
  2. FINISHES: SEE TABLE
  3. ELECTRICAL SPECIFICATIONS  
VOLTAGE RATING: 250V AC/DC  
CURRENT RATING: 4 AMPS
  4. PROTECTION: IP67
  5. ASSEMBLY IS RoHS COMPLIANT BY EXEMPTION

ITEM	QTY.	DESCRIPTION	MATERIAL	FINISH
7	1	WRAP LABEL	VINYL	BLACK/YELLOW
6	1	OVERMOLD-FEMALE	PVC	GRAY
5	1	O-RING	VITON	RED
4	1	COUPLING, FEMALE THREAD	BRASS	NICKEL PLATED
3	4	CONTACT SOCKET	Cu ALLOY	GOLD PLATED
2	1	INSERT, 4P FEMALE	PUR	BLACK
1	1	CABLE, 22-4, 300V, 105°C, PLTC	PVC JACKET	GRAY

RELEASED AS SD DOC  
 WAS RSD-120065-110  
 EC NO: IPG2015-1249  
 DRWRHSTONE 2013/02/12  
 CHKDK JOZWIK 2013/02/27  
 APPR: JFMURPHY 2013/06/21

QUALITY SYMBOLS  
 ▽=0  
 ▽=0

GENERAL TOLERANCES (UNLESS SPECIFIED)

	mm	INCH
4 PLACES	± .005	± .0004
3 PLACES	± .003	± .0002
2 PLACES	± .002	± .0001
1 PLACE	± 0.3	± .012
0 PLACE	± .001	± .0001

ANGULAR ± 2 °

DRAFT WHERE APPLICABLE MUST REMAIN WITHIN DIMENSIONS

DIMENSION STYLE IN/MM

DRAWN BY	DATE
RSTONE	2013/02/12
CHECKED BY	DATE
K JOZWIK	2013/02/27
APPROVED BY	DATE
JFMURPHY	2013/06/21

MATERIAL NO. SEE CHART

SCALE 2:1 DESIGN UNITS INCH THIRD ANGLE PROJECTION

TITLE MIC CABLE ASSY, FEMALE 4 POLE , 22/4 PLTC

**molex**

DOCUMENT NO. SD-120065-062 SHEET NO. 1 OF 1

THIS DRAWING CONTAINS INFORMATION THAT IS PROPRIETARY TO MOLEX INCORPORATED AND SHOULD NOT BE USED WITHOUT WRITTEN PERMISSION