

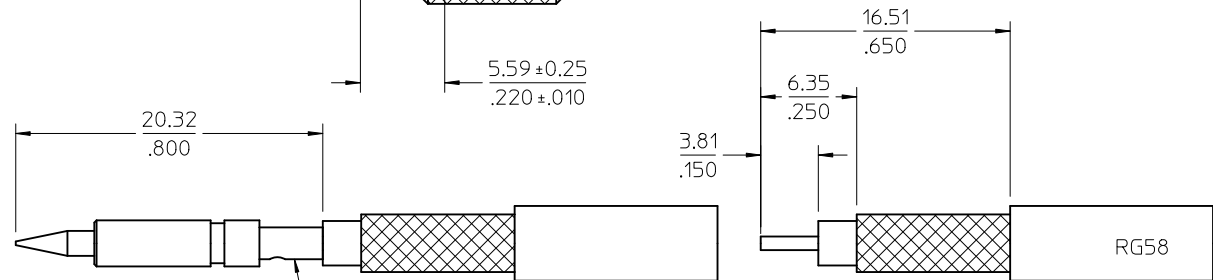
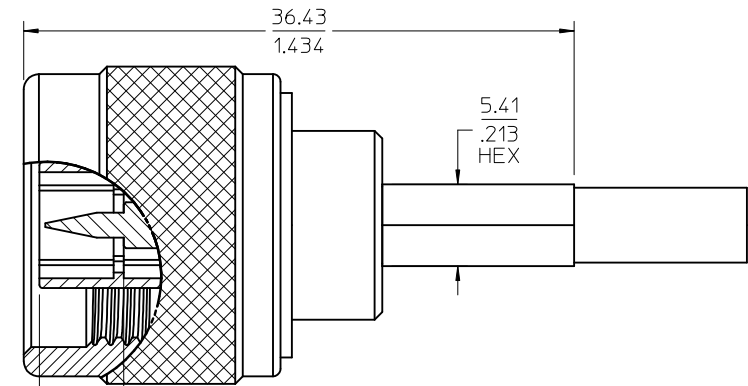
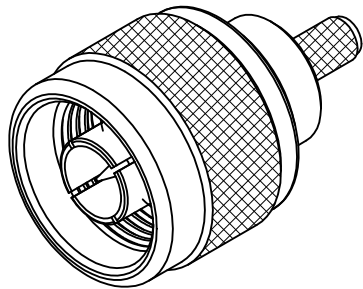
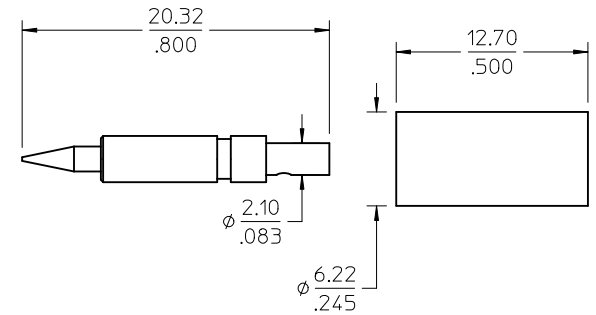
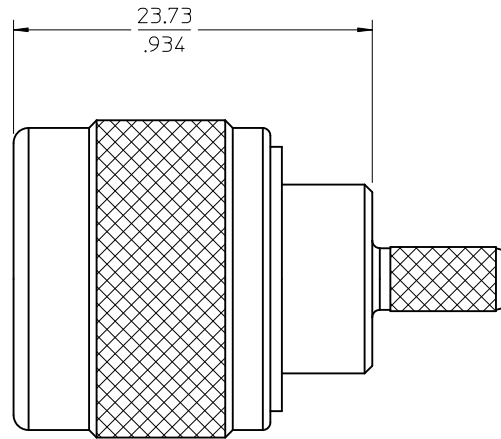
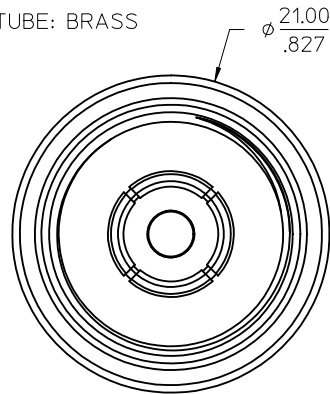
MATERIALS AND FINISHES

BODY, OUTER CONTACT, C'NUT, CRIMP TUBE: BRASS
PLATED NICKEL

CONTACT: BRASS
PLATED GOLD

GASKET: SILICONE RUBBER

SNAP RING: PHOSPHOR BRONZE



SOLDER OR
CRIMP USING
1.73/.068 HEX

73276-2360	1 PIECE 73100-0042 PER BAG
73100-0042	STANDARD
PART NO.	PACKAGING

PS-89675-3220	PRODUCT SPECIFICATION
MIL-STD-348A, FIG. 304.1	INTERFACE
SPECIFICATION	DESCRIPTION

CHG: REDREW IN SD.
ADDED P/N
73276-2360
FOR SINGLE BAG
OPTION. ADDED
ASSY INSTRS.

EC NO: URF2011-0569
2011/03/31
DRAWN: AROBERTSON
2011/03/31
CHKD: SSS
2011/03/31
APPR: JWIENER
2011/03/31

B1

QUALITY SYMBOLS
▽=0
▽=0
DESCRIPTION

GENERAL TOLERANCES (UNLESS SPECIFIED)	
4 PLACES ±	---
3 PLACES ±	---
2 PLACES ±	---
1 PLACE ±	---
ANGULAR ± 2 °	
DRAFT WHERE APPLICABLE MUST REMAIN WITHIN DIMENSIONS	

DIMENSION STYLE	
MM/IN	
DRAWN BY	DATE
AROBERTSON	2011/03/31
CHECKED BY	DATE
SSS	2011/03/31
APPROVED BY	DATE
JWIENER	2011/03/31
MATERIAL NO.	SEE TABLE
SIZE	C

SCALE	DESIGN UNITS	THIRD ANGLE PROJECTION
INCH	INCH	☉
TITLE		
N PLUG STRAIGHT 50 OHM FOR RG58 CABLE N-PC		
MOLEX INCORPORATED		
MATERIAL NO.	DOCUMENT NO.	SHEET NO.
SEE TABLE	SD-73100-0042	1 OF 1
THIS DRAWING CONTAINS INFORMATION THAT IS PROPRIETARY TO MOLEX INCORPORATED AND SHOULD NOT BE USED WITHOUT WRITTEN PERMISSION		

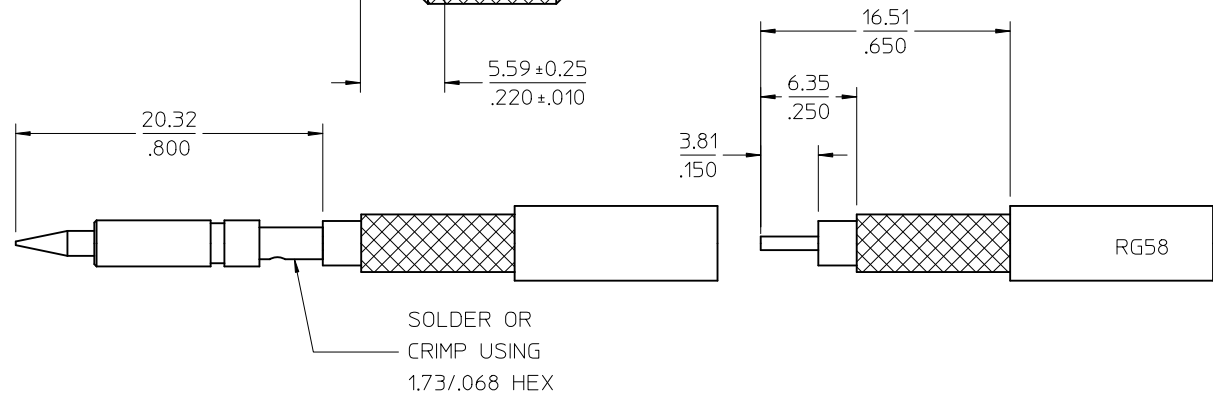
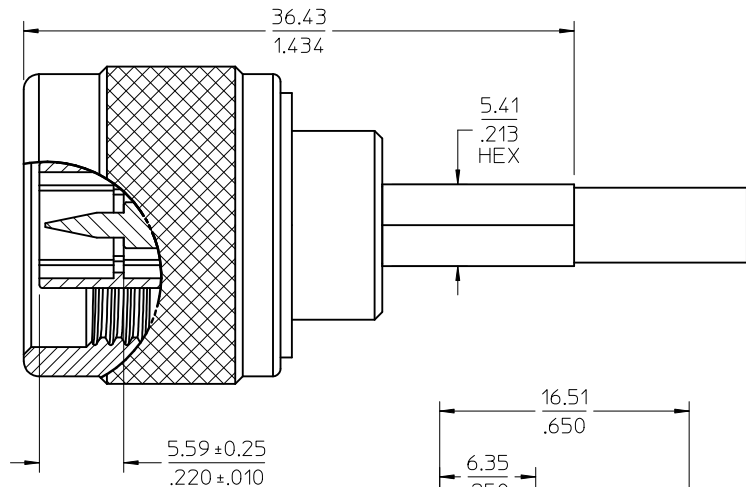
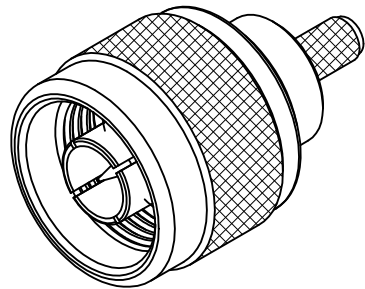
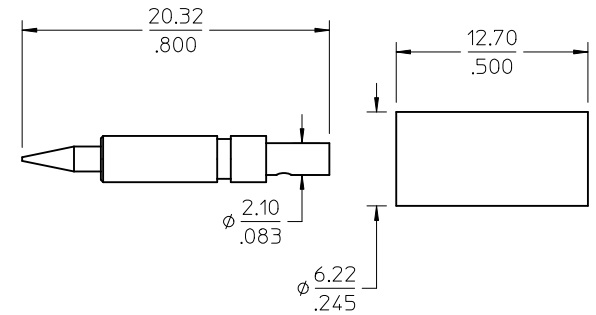
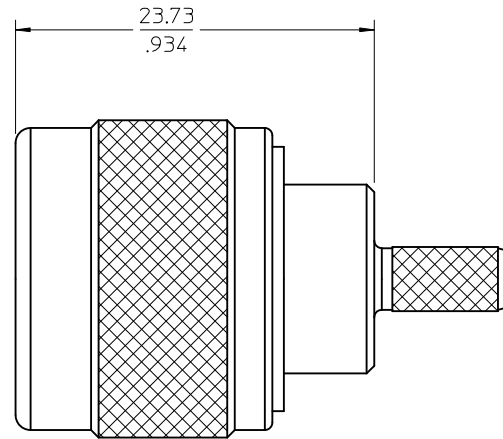
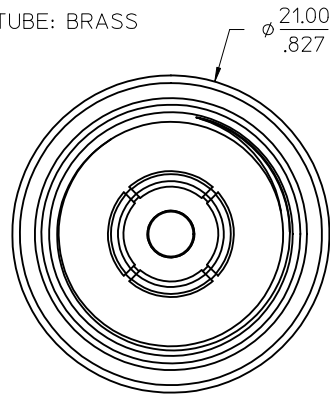
MATERIALS AND FINISHES

BODY, OUTER CONTACT, C'NUT, CRIMP TUBE: BRASS
PLATED NICKEL

CONTACT: BRASS
PLATED GOLD

GASKET: SILICONE RUBBER

SNAP RING: PHOSPHOR BRONZE



73276-2360	1 PIECE 73100-0042 PER BAG
73100-0042	STANDARD
PART NO.	PACKAGING
PS-89675-3220	PRODUCT SPECIFICATION
MIL-STD-348A, FIG. 304.1	INTERFACE
SPECIFICATION	DESCRIPTION

CHG: RELEASE DRAWING. EC NO: URF2011-0569 DRAWN: AROBERTSON 2011/03/31 CHKD: SSS 2011/03/31 APPR: JWIENER 2011/03/31	QUALITY SYMBOLS ▽=0 ▽=0	GENERAL TOLERANCES (UNLESS SPECIFIED) 4 PLACES ± --- ± --- 3 PLACES ± --- ± --- 2 PLACES ± --- ± --- 1 PLACE ± --- ± --- ANGULAR ± 2°	DIMENSION STYLE MM/IN DRAWN BY: AROBERTSON DATE: 2011/03/31 CHECKED BY: SSS DATE: 2011/03/31 APPROVED BY: JWIENER DATE: 2011/03/31	SCALE: INCH DESIGN UNITS: INCH THIRD ANGLE PROJECTION	TITLE: N PLUG STRAIGHT 50 OHM FOR RG58 CABLE N-PC MOLEX INCORPORATED	SHEET NO. 1 OF 1
		DRAFT WHERE APPLICABLE MUST REMAIN WITHIN DIMENSIONS	MATERIAL NO. SEE TABLE DOCUMENT NO. SD-73276-236	THIS DRAWING CONTAINS INFORMATION THAT IS PROPRIETARY TO MOLEX INCORPORATED AND SHOULD NOT BE USED WITHOUT WRITTEN PERMISSION		