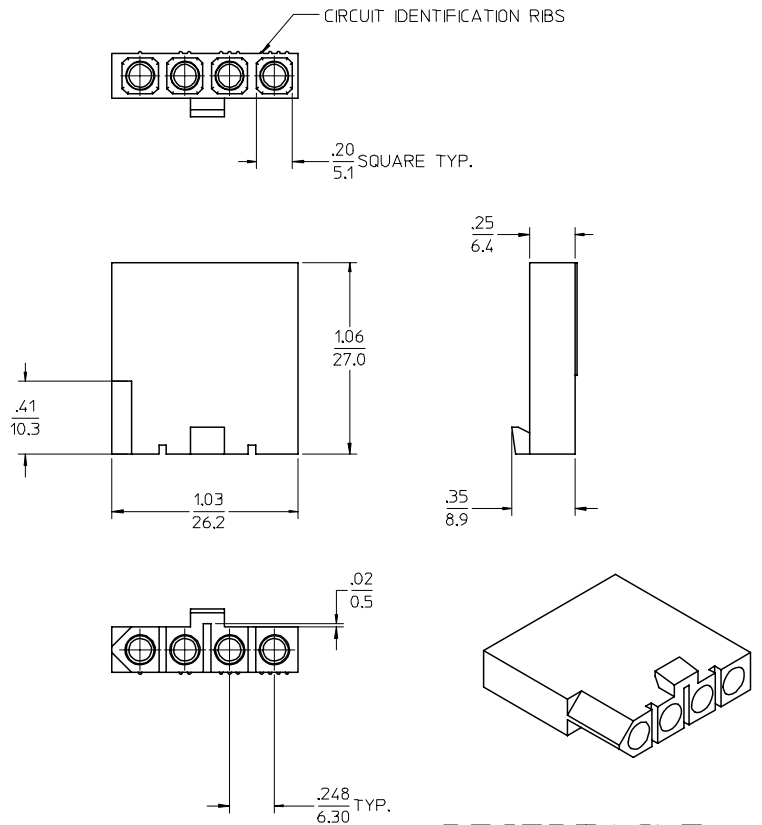


13 12 11 10 9 8 7 6 5 4 3 2 1

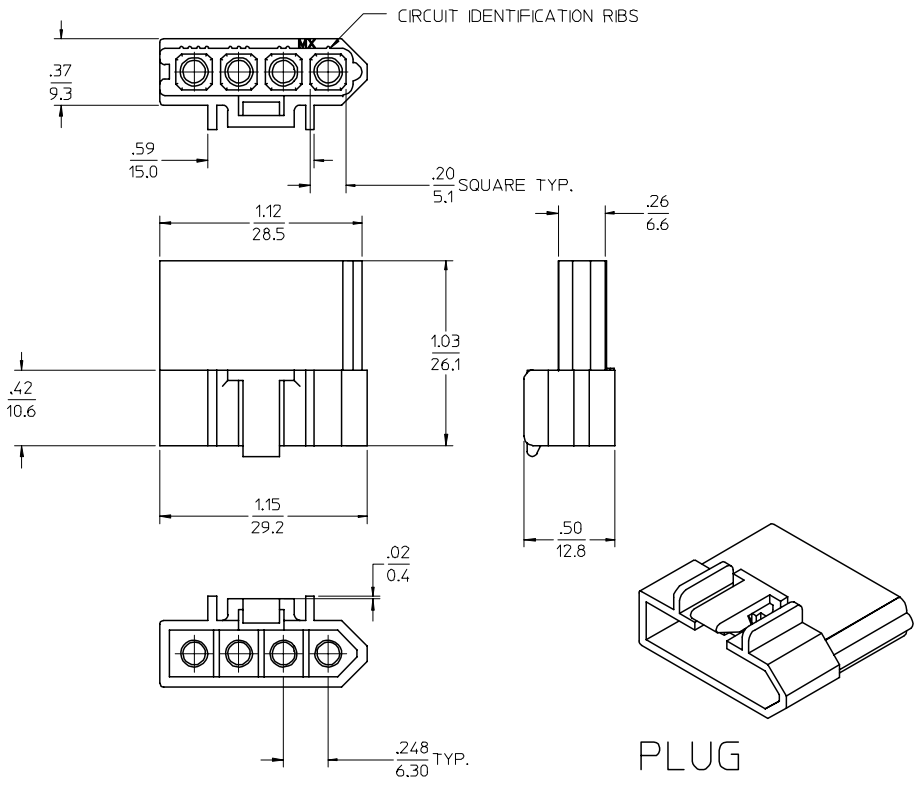
RECEPTACLE PLUG

| | | | |
|------------|----------|------------|----------|
| ORDER NO. | ENG. NO. | ORDER NO. | ENG. NO. |
| 03-09-1047 | 1816-4R | 03-09-2048 | 1816-4P |

- NOTES:
 1. NYLON, UL94V-2
 2. FINISH: N/A
 3. PRODUCT SPECIFICATION: PS-02-09
 4. PACKAGING SPECIFICATION: N/A



RECEPTACLE



PLUG

| | | | | | | | |
|--|--|---|---|---------------------------|---------------------------|---|--|
| REDRAWN IN CAD EC NO: UCP2006-2209 DRAWN/PRI/DOR 2006/06/12 CHKD: AEL/HAG 2006/06/13 APPR: FSM/TH 2006/06/14 REVISION DESCRIPTION | QUALITY SYMBOLS | GENERAL TOLERANCES (UNLESS SPECIFIED) | DIMENSION STYLE | SCALE | DESIGN UNITS | THIRD ANGLE PROJECTION | |
| | ▽=0 ▽=0 | mm INCH 4 PLACES ± --- ± --- 3 PLACES ± --- ± .005 2 PLACES ± 0.13 ± .010 1 PLACE ± 0.25 ± --- ANGULAR ±1/2° | IN/MM DRAWN BY DATE BBM 1968/01/04 CHECKED BY DATE APPROVED BY DATE | 2:1 | INCH | ☉ THIRD ANGLE PROJECTION | |
| | DRAFT WHERE APPLICABLE MUST REMAIN WITHIN DIMENSIONS | | | MATERIAL NO. SEE CHART | DOCUMENT NO. SD-1816-4 | .093/(2.36) HOUSINGS PLUG & RECEPTACLE 4 CKT, .248/(6.30) CTRS. | |
| | | | | SIZE C | MOLEX INCORPORATED | | |
| | | | THIS DRAWING CONTAINS INFORMATION THAT IS PROPRIETARY TO MOLEX INCORPORATED AND SHOULD NOT BE USED WITHOUT WRITTEN PERMISSION | | | SHEET NO. 1 OF 1 | |

12 11 10 9 8 7 6 5 4 3 2 1