

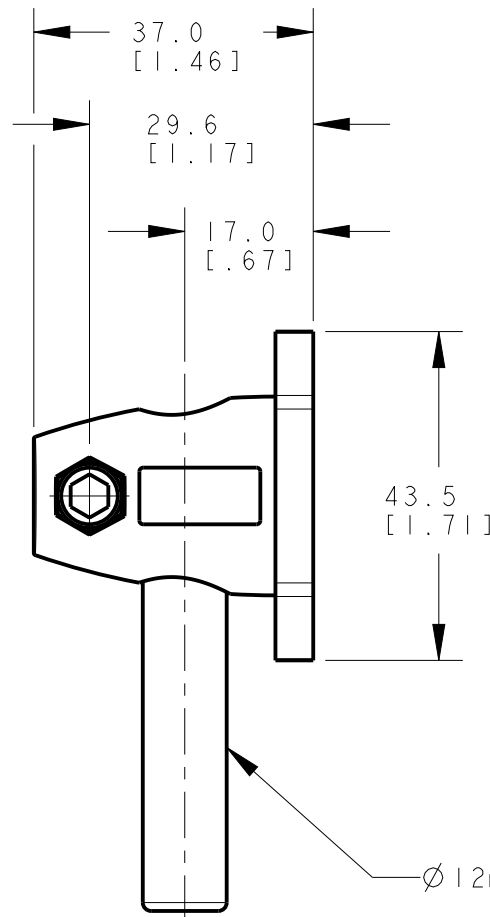
8 7 6 5 4 3 2 1

D

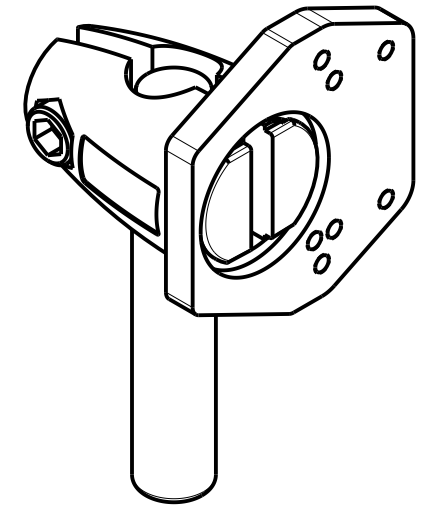
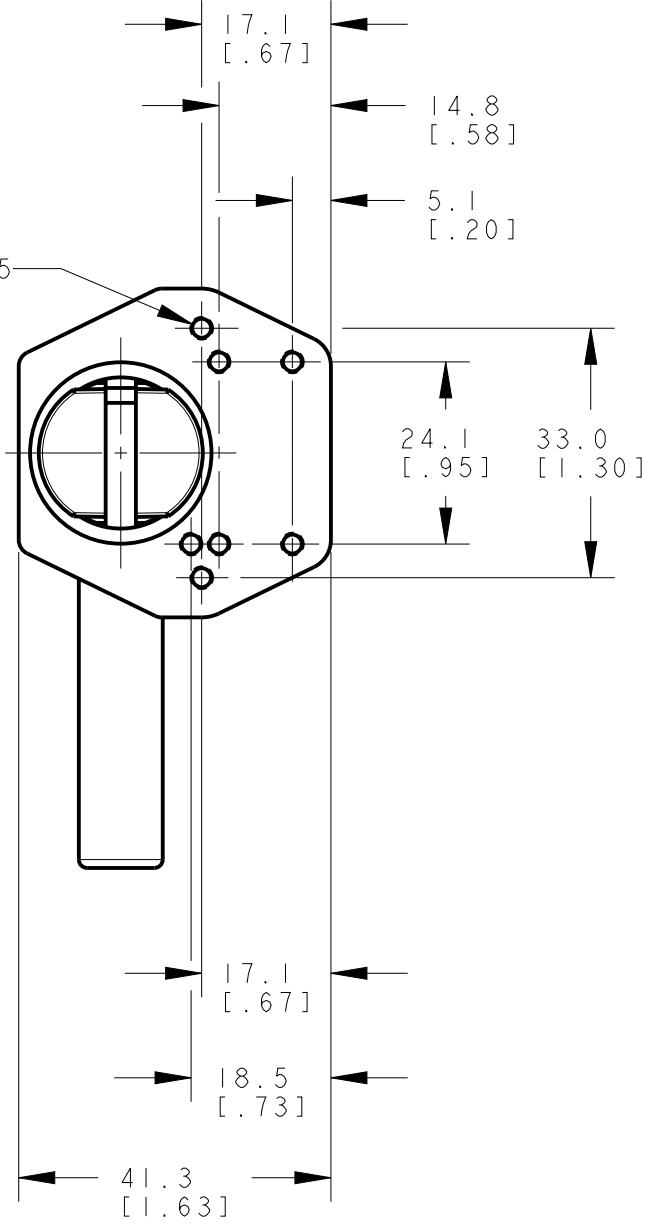
C

B

A

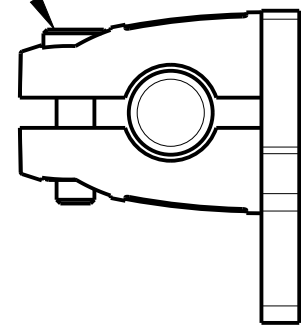


7X M3 X 0.5



ISOMETRIC VIEW  
SCALE 1:1

M5 X .8 X 18mm  
LENGTH SHCS

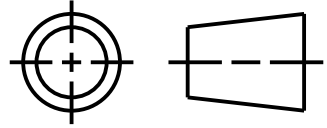


This drawing is the property of BANNER ENGINEERING CORP. Any use or reproduction, in any form, without prior written permission of Banner is prohibited. © 2015 Banner Engineering Corp.



BANNER ENGINEERING CORP.  
www.bannerengineering.com

THIRD ANGLE PROJECTION



TITLE  
**SMB04XFAM12**

SIZE B DRAWING NO. **179645** REV. **E**

SCALE 1:1 SHEET 1 OF 1

NOTES:  
1. ALL DIMENSIONS ARE MILLIMETERS [INCHES] UNLESS OTHERWISE NOTED.  
2. REFER TO "www.bannerengineering.com" FOR ADDITIONAL DATA AND SPECIFICATIONS.

8 7 6 5 4 3 2 1 CREO