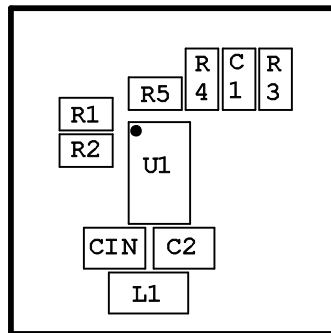


PCB Layout



LT3469ETS8

1630 McCarthy Blvd., Milpitas, CA 95035-7417 Phone: (408)432-1900 Fax: (408)434-0507		
Linear Technology Corp.		
Title Piezoceramic Microactuator Driver with Boost Regulator		
Size	Document Number Demo Circuit 630	Rev A
Date:	Wednesday, July 02, 2003	Sheet 1 of 1