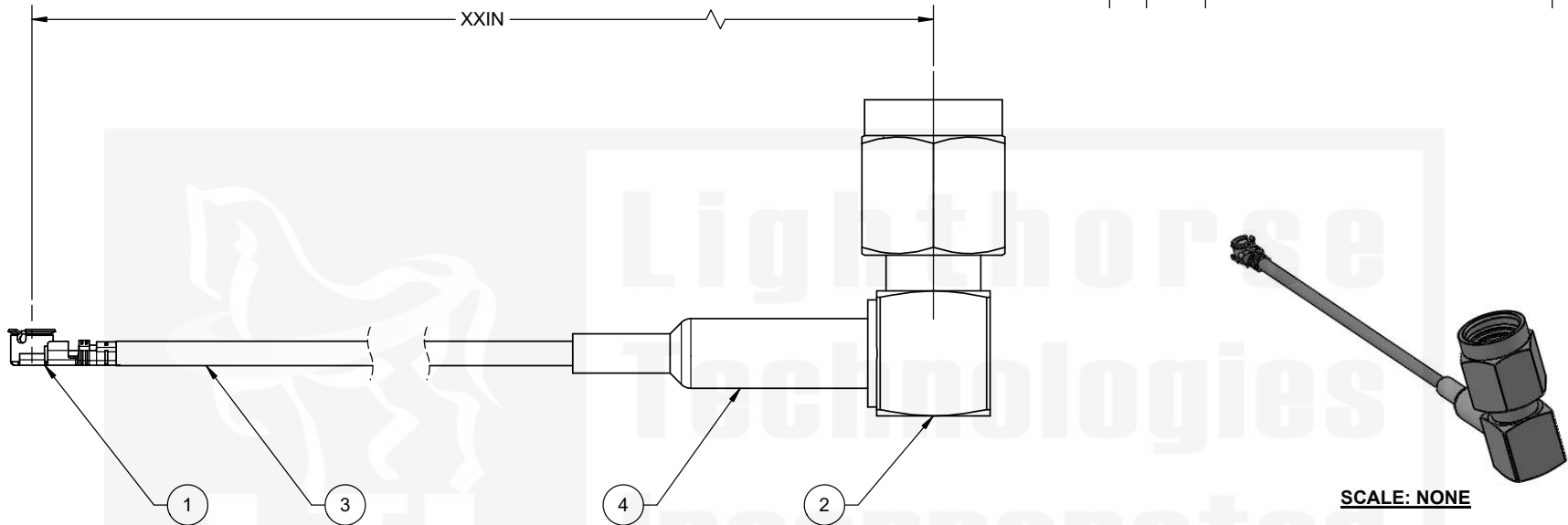


-XX IN THE ENDING OF THE CABLE PART NUMBER IS CALLING OUT THE LENGTH OF THE ASSEMBLY FROM CENTER TO MATING FLANGE OF CONNECTORS. EXAMPLES SHOWN BELOW:

LTI P/N: CB1.37-IPX-SALRMGT-4IN (4 INCHES)
 CB1.37-IPX-SALRMGT-10IN (10 INCHES)

REVISIONS				
REV	ECR	DESCRIPTION	DRAWN	DATE
1		PRODUCTION RELEASE	M. LARSEN	08/01/2022



ITEM	PART NUMBER	DESCRIPTION	QTY
1	IPXLF11GPB-137	IPX (MHF1), RHT ANGLE, JACK, CABLE CRIMP (I-PEX 20351-112R-37)	1
2	SALRM11GT-316	SMA, RIGHT ANGLE, REV POL PLUG, CABLE CRIMP	1
3	1.37 MICRO COAX	CABLE, 1.37 MICRO COAX, BLUE	AR
4	1635F-1/8"	.125 (1/8) DIA, .75 LENGTH, GREEN	1

IPX® AND MHF® ARE REGISTERED TRADEMARKS OF I-PEX CO., LTD. CORPORATION

DO NOT SCALE DRAWING			Lighthouse Technologies San Diego, CA WWW.RFCONNECTOR.COM	
TOLERANCES UNLESS OTHERWISE SPECIFIED			TITLE: CABLE ASSEMBLY, IPX (MHF1), R/A JACK, CRIMP TO RP-SMA, R/A PLUG, CRIMP USING 1.37 MICRO COAX	
DIMENSIONS ARE IN MILLIMETERS		 THIRD ANGLE PROJECTION	SIZE	REV
X = ±0.5 XX = ±0.25 XXX = ±0.13 ANGLE = ±30°	PART/DWG. NO: B CB1.37-IPX-SALRMGT-xxIN		A	
CUSTOMER APPROVAL		SCALE: 4:1	FILE NAME	SHEET 1 OF 1
SIGN / DATE:				
ENG APPR.	P. BURDGE	08/01/2022		
CHECKED	M. HELD	08/01/2022		
DRAWN	M. LARSEN	08/01/2022		
	NAME	DATE		

PROPRIETARY AND CONFIDENTIAL

UNLESS OTHERWISE SPECIFIED, THIS DOCUMENT CONTAINS LIGHTHORSE TECHNOLOGIES INFORMATION. REPRODUCTION, USE, DISCLOSURE OR TRANSMITTAL OF ALL OR ANY PART OF THIS DOCUMENT IS PROHIBITED EXCEPT TO THE EXTENT APPROVED IN WRITING BY AN AUTHORIZED REPRESENTATIVE OF LIGHTHORSE TECHNOLOGIES. LIGHTHORSE TECHNOLOGIES RESERVES ALL RIGHTS UNDER PATENTS, TRADEMARKS, COPYRIGHTS AND TRADE SECRETS. COPY RIGHTS OF LIGHTHORSE TECHNOLOGIES 2011, ALL RIGHTS RESERVED.

