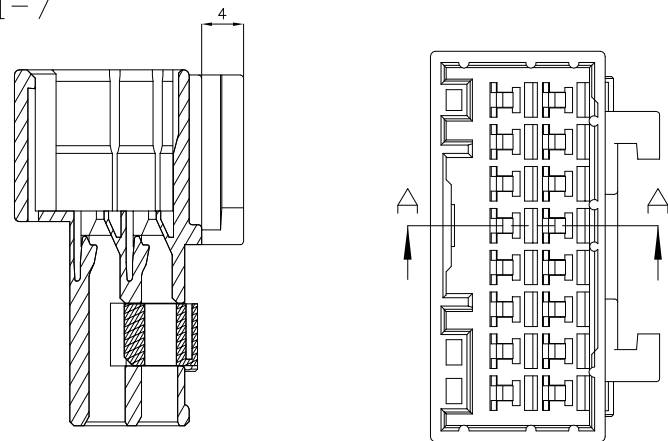
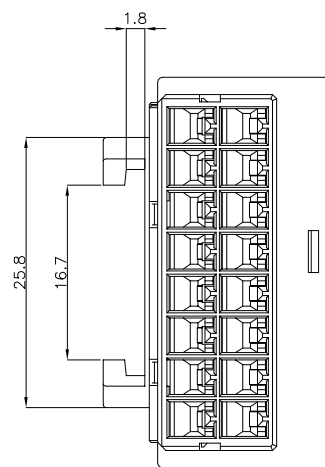
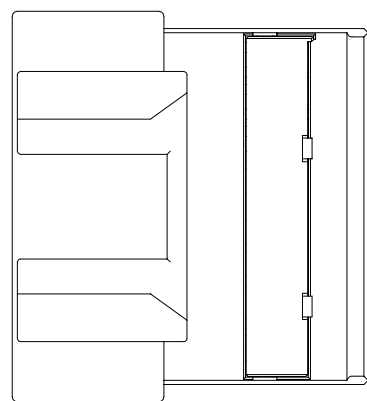


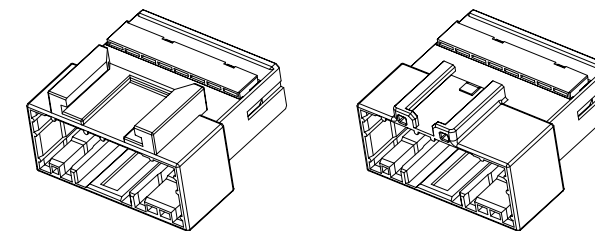
TYPE B (DELPHI CLIP MOUNTING TYPE)  
 1-936211-7



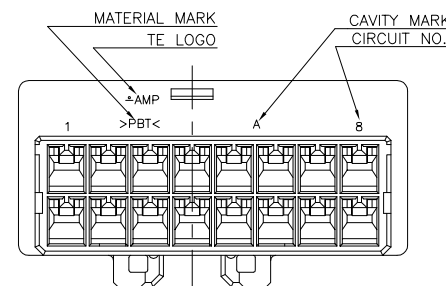
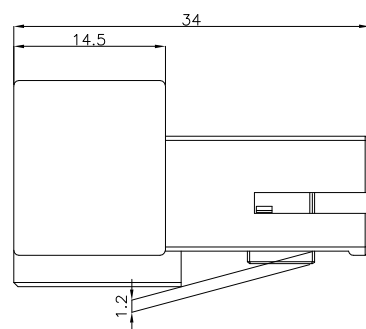
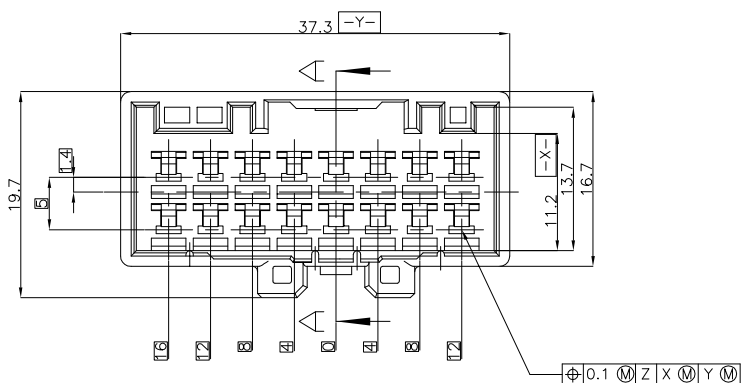
SECTION A-A



REVISIONS					
P	LTR	DESCRIPTION	DATE	DWN	APVD
	B1	REVISED (ECR-09-005035)	24.MAR.'09	KT	HG
	C	REVISED (ECR-11-008499)	29.JUN.'10	KT	HG
	C1	REVISED (ECR-14-000006)	28.NOV.'13	JM	HG
	C2	REVISED (ECR-16-004041)	17.MAR.'16	JM	JW



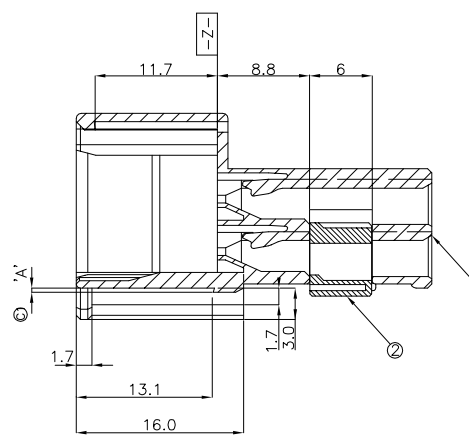
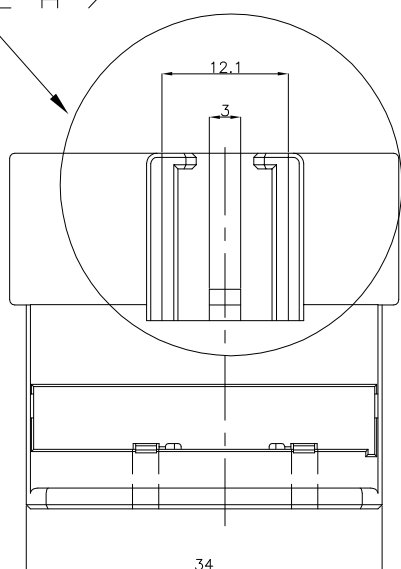
SCALE 1/2  
 3D VIEW



NO.	TYPE	DIMENSION 'A'
1	TYPE A	0.4
2	TYPE C	0.7

- NOTES:  
 1. THE MATING HSG. P/N ; 936201  
 2. APPLIED CONTACT P/N ; 090 III TAB. - 368086, 368087, 368088, 1897752  
 3. ADAPTABLE CLIP P/N OF 2-936211-6: 1743455-X

< TYPE A >



SECTION A-A

NO	COLOR	MATERIAL	DESCRIPTION	QTY
1	RED	PBT	CAP (TYPE C)	1
	GREEN	PBT	CAP (TYPE B)	1
	BLUE	PBT	CAP (TYPE A)	1
	GREEN	PBT	CAP (TYPE A)	1
	RED	PBT	CAP (TYPE A)	1
	YELLOW	PBT	CAP (TYPE A)	1
	BROWN	PBT	CAP (TYPE A)	1
	L/GRAY	PBT	CAP (TYPE A)	1
	BLACK	PBT	CAP (TYPE A)	1
	NATURAL	PBT	CAP (TYPE A)	1
2	NATURAL	PBT	DBL	1 1 1 1 1 1 1 1 1 1 1 1 1 1 1 1

THIS DRAWING IS A CONTROLLED DOCUMENT FOR TYCO ELECTRONICS CORPORATION. IT IS SUBJECT TO CHANGE AND THE CONTROLLING ENGINEERING ORGANIZATION SHOULD BE CONTACTED FOR THE LATEST REVISION.

DWN: JM JEDN  
 CHK: JM JEDN  
 APVD: JW JUNG  
 PRODUCT SPEC: -  
 APPLICATION SPEC: -  
 WEIGHT: -

**TE** TE Connectivity

NAME: 090III 16P CAP ASS'Y

SIZE: A2 CAGE CODE: 00779 DRAWING NO: 936211 RESTRICTED TO: -

MATERIAL: SEE TABLE FINISH: CUSTOMER DRAWING SCALE: 2/1 SHEET: 1 OF 1 REV: C2