

**PLEASE CHECK WWW.MOLEX.COM FOR LATEST PART INFORMATION**

**Part Number:** **0740621004**  
**Status:** **Active**  
**Overview:** VHDM Backplane Connector Systems  
**Description:** 2.00mm Pitch VHDM Single-Ended Board-to-Board Backplane Header, Vertical, 8 Rows, Guide Pin Signal Module, Shield End Version, 80 Circuits, 10 Columns, Pin Length 5.15mm

**Documents:**

[Drawing \(PDF\)](#)      [Packaging Specification PK-74061-003-001 \(PDF\)](#)  
[Product Specification PS-74031-999-001 \(PDF\)](#)      [RoHS Certificate of Compliance \(PDF\)](#)

**Agency Certification**

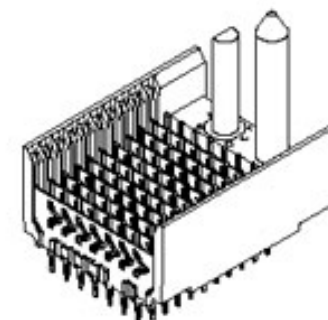
UL      E29179

**General**

Product Family      Backplane Connectors  
Series      74062  
Application      Backplane  
Application Tooling Documents      TM-622010999-001  
Comments      No Keying Position  
Component Type      PCB Header  
Overview      [VHDM Backplane Connector Systems](#)  
Product Name      VHDM  
UPC      800753253025

**Physical**

Circuits (Loaded)      80  
Circuits (maximum)      80  
Color - Resin      Black  
Durability (mating cycles max)      200  
First Mate / Last Break      No  
Flammability      94V-0  
Guide to Mating Part      Yes  
Keying to Mating Part      None  
Material - Metal      Beryllium Copper, High Performance Alloy (HPA),  
Stainless Steel  
Material - Plating Mating      Gold  
Material - Plating Termination      Tin-Lead  
Material - Resin      High Temperature Thermoplastic  
Net Weight      8.242/g  
Number of Columns      10  
Number of Pairs      Open Pin Field  
Number of Rows      8  
Orientation      Vertical  
PC Tail Length      2.50mm  
PCB Locator      No  
PCB Retention      None  
PCB Thickness - Recommended      1.80mm  
Packaging Type      Tube  
Pitch - Mating Interface      2.00mm  
Pitch - Termination Interface      1.00mm  
Plating min - Mating      0.762µm  
Plating min - Termination      0.762µm  
Polarized to PCB      Yes  
Surface Mount Compatible (SMC)      Yes  
Temperature Range - Operating      -55° to +105°C  
Termination Interface: Style      Through Hole - Compliant Pin



Series image - Reference only

**EU ELV**

**Not Relevant**

**EU RoHS**

**Not Reviewed**

**REACH SVHC**

Not Contained Per -  
D(2020)9139-DC (19  
Jan 2021)

**Halogen-Free**

**Status**

**Low-Halogen**

For more information, please visit [Contact US](#)

China ROHS	50 Image
ELV	Not Relevant
RoHS Phthalates	Not Contained

**Search Parts in this Series**

[74062](#) Series

**Mates With**

[74040](#) VHDM Board-to-Board Daughtercard  
Receptacle

**Application Tooling | FAQ**

*Tooling specifications and manuals are found by selecting the products below. Crimp Height Specifications are then contained in the Application Tooling Specification document.*

**Global**

Description	Product #
Signal Pin Inserter	<a href="#">622015700</a>
Repair Tool	
8-Row Pin and	<a href="#">622015900</a>
Shield Repair Tool	
8-Row Shield	<a href="#">622016100</a>
Extraction Tool	

**Electrical**

Current - Maximum per Contact	3.0A
Data Rate	3.125 Gbps
Shield Type	Ground Plane Shield
Shielded	Yes
Voltage - Maximum	120V AC (RMS)/DC

**Solder Process Data**

Lead-free Process Capability	N/A
------------------------------	-----

**Material Info****Reference - Drawing Numbers**

Packaging Specification	PK-74061-003-001
Product Specification	PS-74031-999-001
Sales Drawing	SD-74062-002-001

This document was generated on 09/21/2021

**PLEASE CHECK [WWW.MOLEX.COM](http://WWW.MOLEX.COM) FOR LATEST PART INFORMATION**