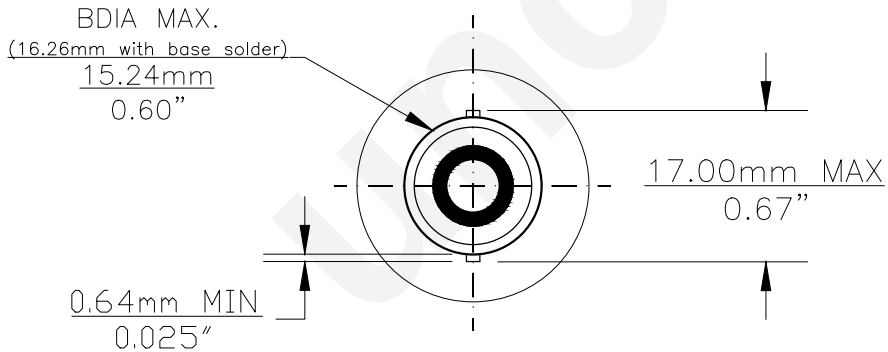
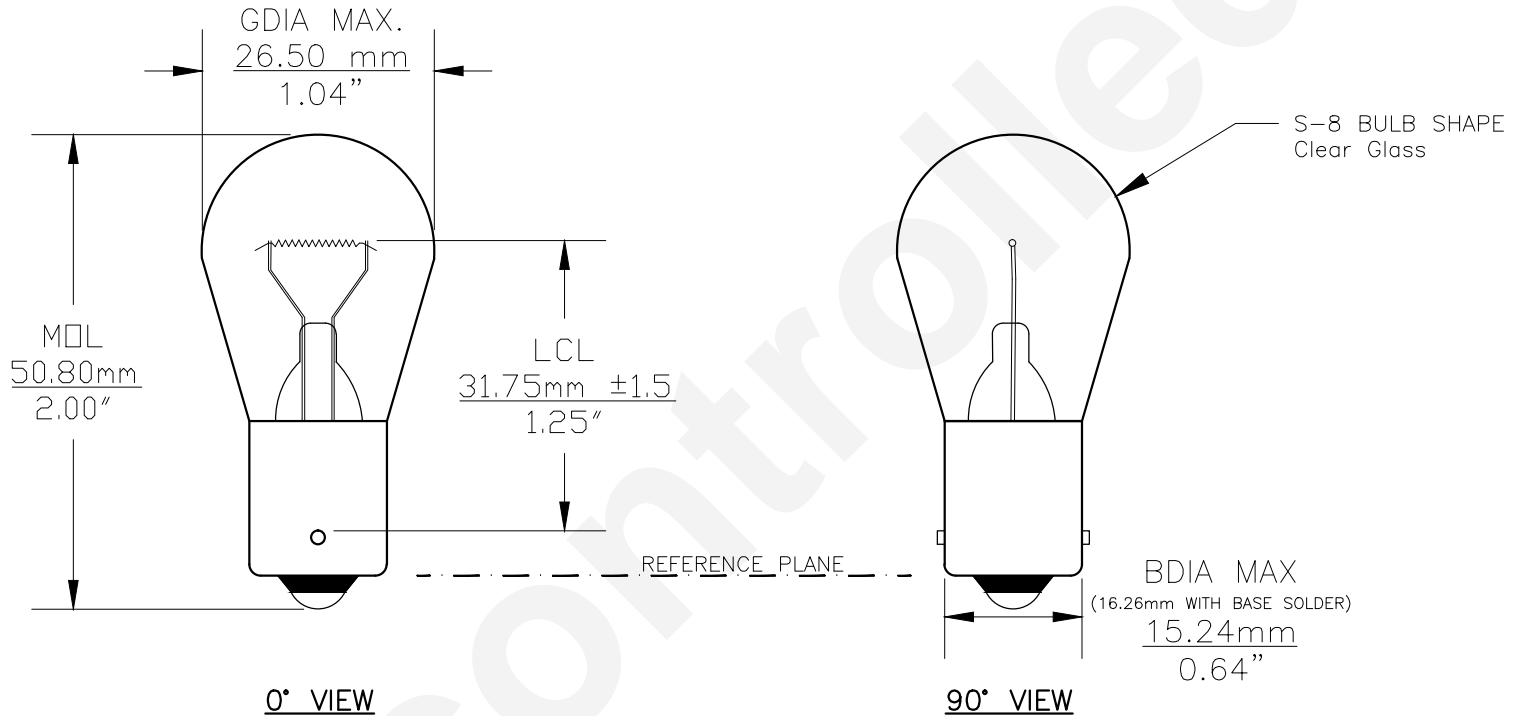




PART NO.	BASE TYPE	DESIGN VOLTS	DESIGN AMPS	MSCD	FILAMENT TYPE	AVERAGE LIFE HOURS	REVISIONS			
							REV #	DESCRIPTION	DATE	APPROVED
2396	S.C. Bayonet (BA15s)	12.8V	2.23±5%	40±10%	C-6	400	1	ISSUED	02/02/2004	A.S.
							2	TOLERANCE AMP, MSCP	06/22/2010	D.C.
							3	ADDITIONAL VIEW	07/01/2014	R.M.



Note: Made according to SAE specifications



UNLESS OTHERWISE SPECIFIED: DIMENSIONS ARE IN INCHES TOLERANCES		CEC INDUSTRIES LTD			
DECIMALS	ANGULAR	599 BOND STREET		LINCOLNSHIRE, IL 60069	
.XX ± .05	± 0.5°	TITLE LIGHT BULB NO. 2396			
.XXX ± .010		SIZE A	FSCM NO.	DWG NO. 2396	REV 3
FRACTIONAL	± 1/64	DESIGN	SCALE	PLOT SCALE	SHEET 1 OF 1
		MATERIAL	FILE 2396.pdf	DRAWING NOT TO SCALE	