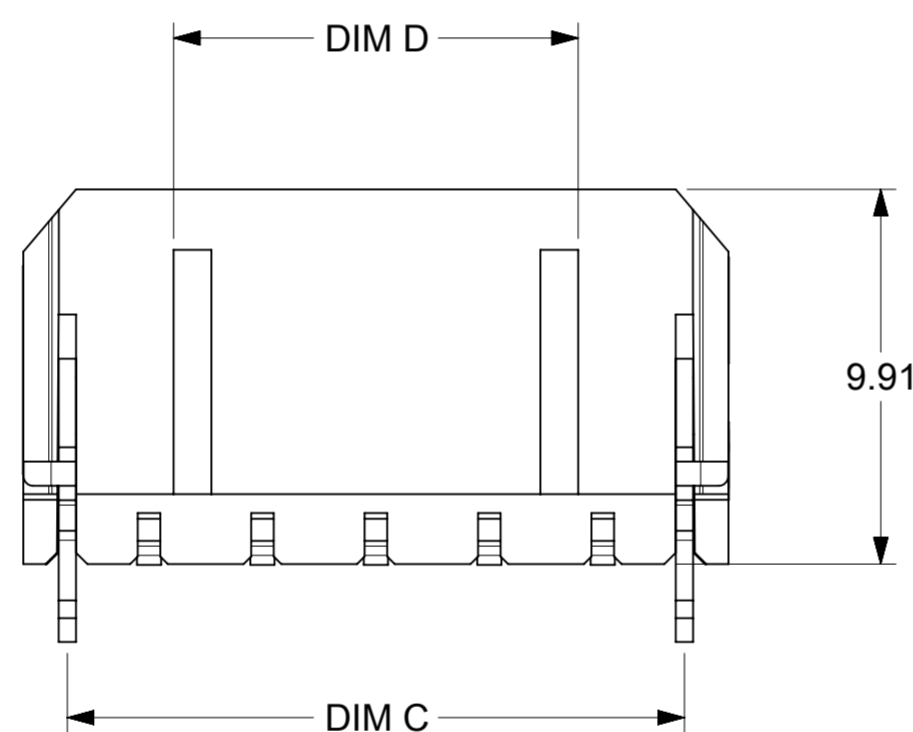
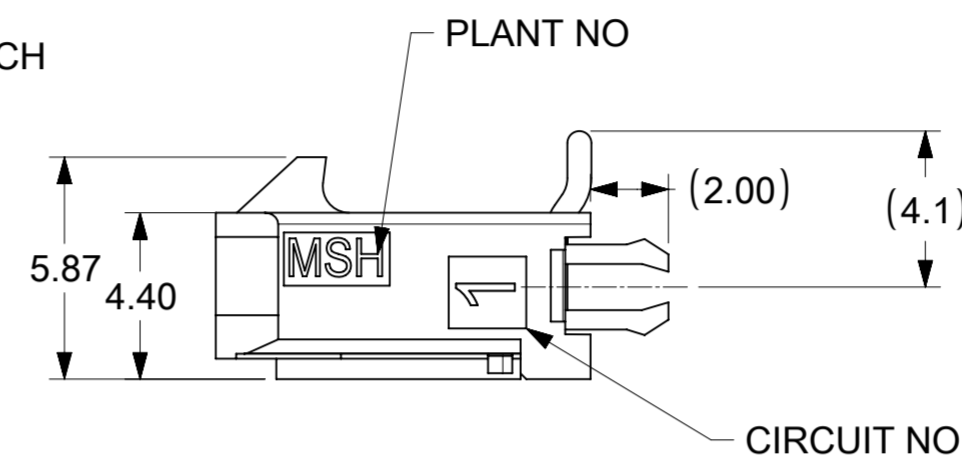
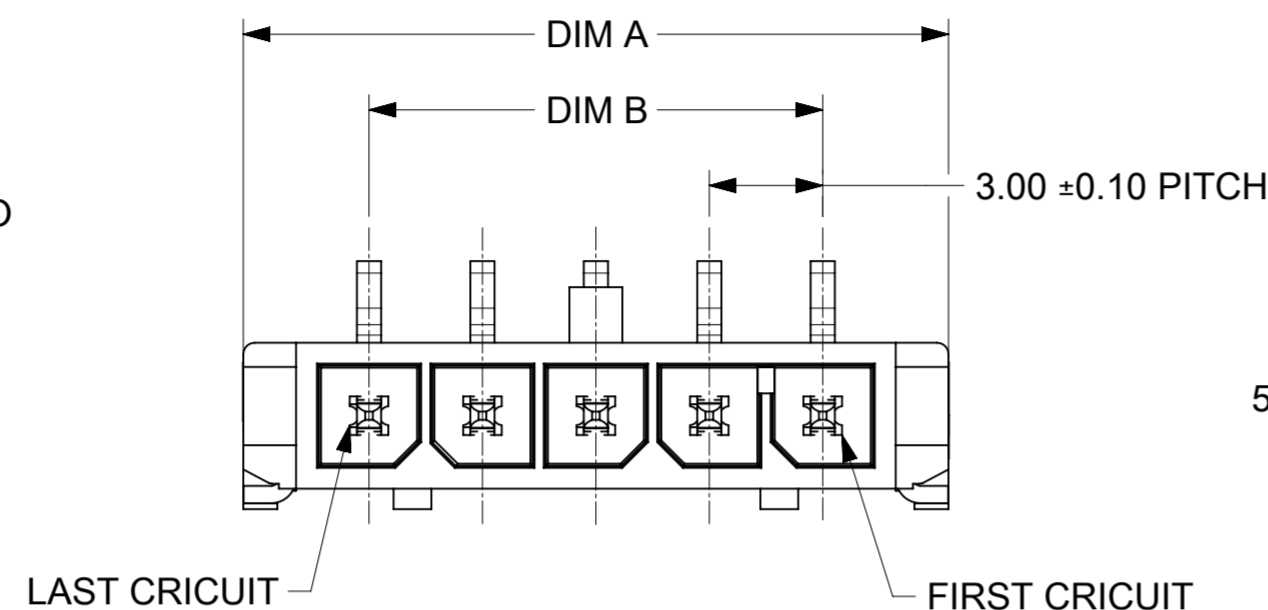
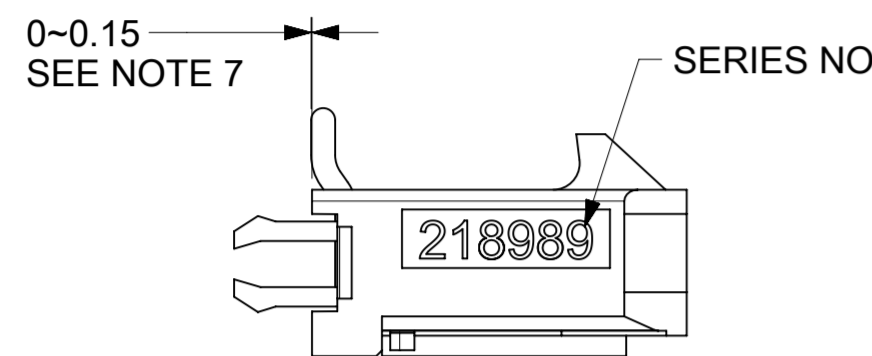


FINISH TYPE	"0" TIN	"1" 15MICROINCH GOLD	"2" 30MICROINCH GOLD				
CKT	HDR ASSY PN	HDR ASSY PN	HDR ASSY PN	A	B	C	D
2	2189890230	2189890231	2189890232	9.65	3.00	7.30	2.95
3	2189890330	2189890331	2189890332	12.65	6.00	10.30	2.95
4	2189890430	2189890431	2189890432	15.65	9.00	13.30	7.70
5	2189890530	2189890531	2189890532	18.65	12.00	16.30	10.70



LEGEND

218989 - * * * *

SERIES NO. _____

CKT NO. _____

OPTION

0: RIGHT ANGLE WITH NAIL

1: RIGHT ANGLE WITH CLIP

2: VERTICAL WITH NAIL

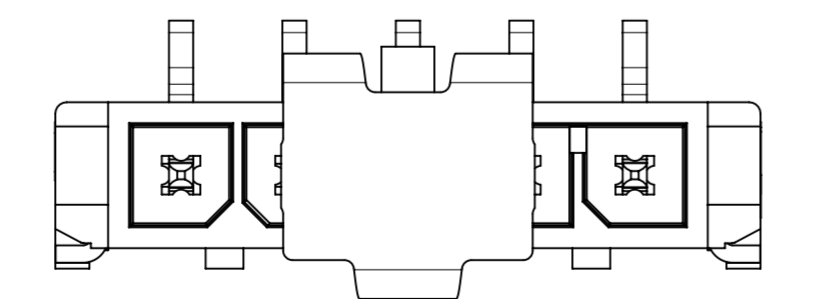
3: VERTICAL WITH CLIP

PLATING OPTION

0: TIN

1: 15MICROINCH AU

2: 30MICROINCH AU

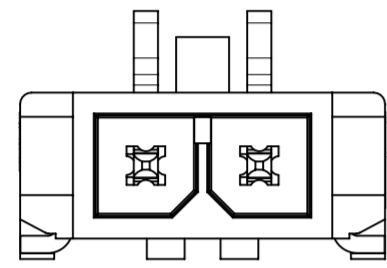


SHOWN WITH DISPOSABLE CAP (43859-000*)
SEE NOTE 5

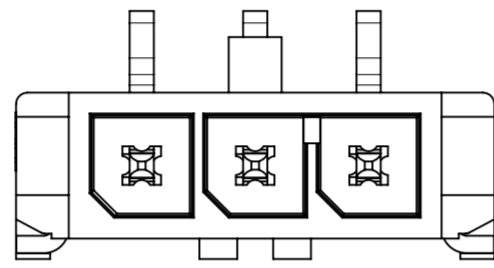
NOTES:

- HOSING MATERIAL: GLASS FILLED LIQUID CRYSTAL POLYMER, UL 94V-0, COLOR: BLACK
TERMINAL MATERIAL: HIGH COPPER ALLOY
- FINISH:
OPTION "0": REFLOW MATTE TIN OVER NICKEL
OPTION "1": SELECT 15MICROINCH GOLD AND SELECT MATTE TIN OVER NICKEL.
OPTION "2": SELECT 30MICROINCH GOLD AND SELECT MATTE TIN OVER NICKEL.
- PRODUCT SPECIFICATION : 2064600000-PS
- PRODUCT TEST SUMMARY: 2064600000-TS
- T&R PACK : 2189890001-PK
- MATE WITH RECEPTACLE 215759
- THE COPLANARITY DIMENSION IS ESTABLISHED BY PLACING THE ASSEMBLY ON A FLAT SURFACE. THE DISTANCE FROM THAT SURFACE TO THE BOTTOM OF ANY TERMINAL OR NAIL MUST NOT EXCEED 0.15
- THIS PART CONFORMS TO CLASS 'B' REQUIREMENTS OF COSMETIC SPECIFICATION PS-45499-002.

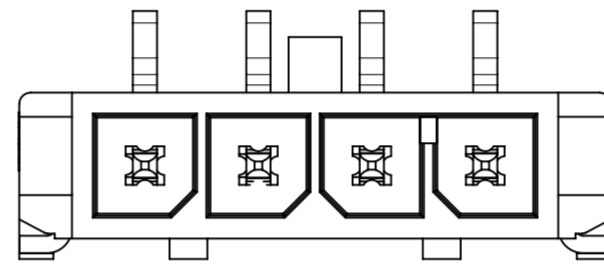
THIS DRAWING CONTAINS INFORMATION THAT IS PROPRIETARY TO MOLEX ELECTRONIC TECHNOLOGIES, LLC AND SHOULD NOT BE USED WITHOUT WRITTEN PERMISSION									
DIMENSION UNITS	SCALE	CURRENT REV DESC:							
mm	NTS								
GENERAL TOLERANCES (UNLESS SPECIFIED)					MICRO-FIT + SINGLE ROW VERTICAL SMT HEADER WITH PRESS CLIP PRODUCT CUSTOMER DRAWING				
ANGULAR TOL ± 3.0°									
4 PLACES	±	EC NO: 724761			DOCUMENT NUMBER: 2189890030-SD DOC TYPE: PSD DOC PART: 000 REVISION: A				
3 PLACES	±	DRWN: ZIXUAQ	2022/09/08						
2 PLACES	±	CHK'D: XQZHANG	2022/10/17						
1 PLACE	±	APPR: XQZHANG	2022/10/17						
0 PLACES	±	INITIAL REVISION:							
DRAFT WHERE APPLICABLE MUST REMAIN WITHIN DIMENSIONS		DRWN: ZIXUAQ	2022/09/08		MATERIAL NUMBER: SEE TABLE				
THIRD ANGLE PROJECTION		APPR: XQZHANG	2022/10/17		CUSTOMER: GENERAL MARKET				
DRAWING		SERIES		SHEET NUMBER					
A2-SIZE		218989		1 OF 2					



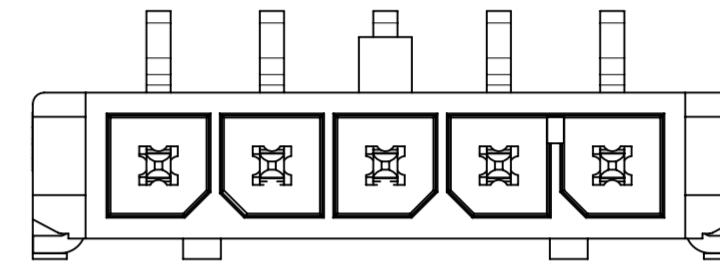
2CKT



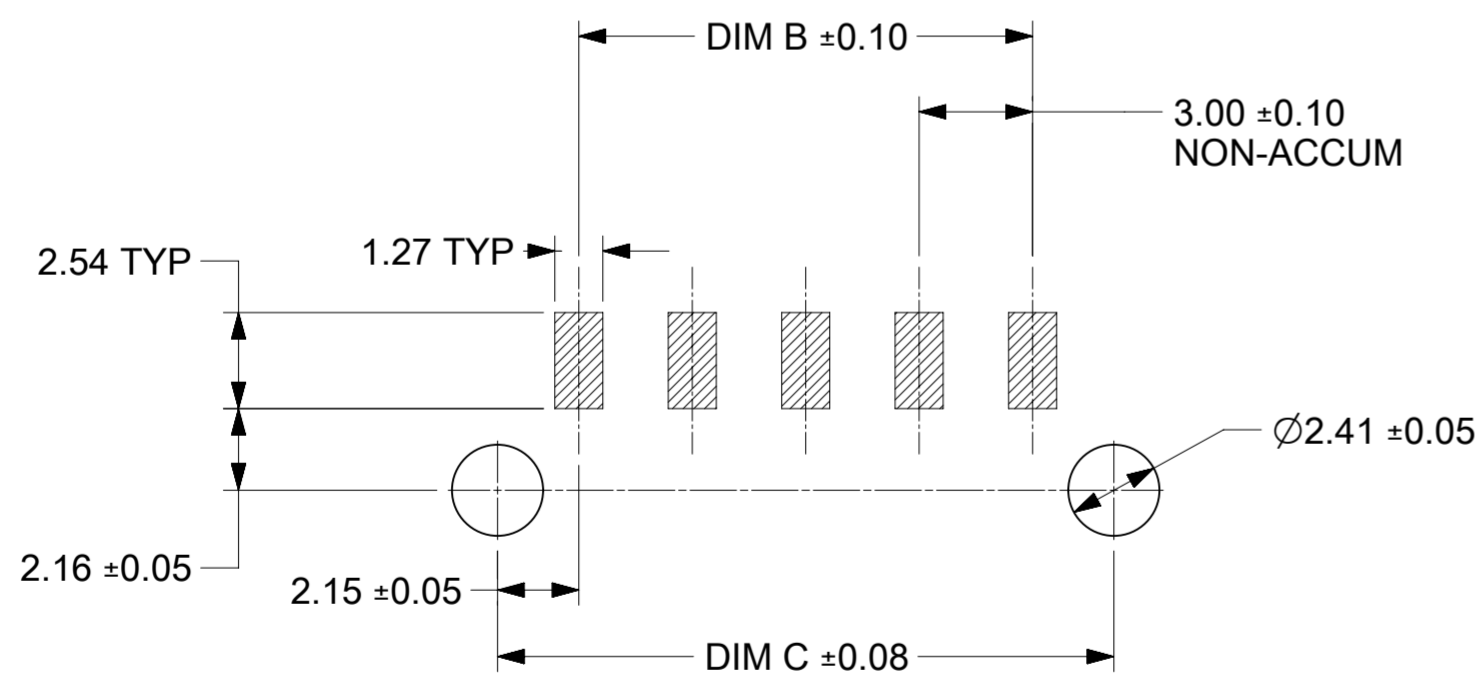
3CKT



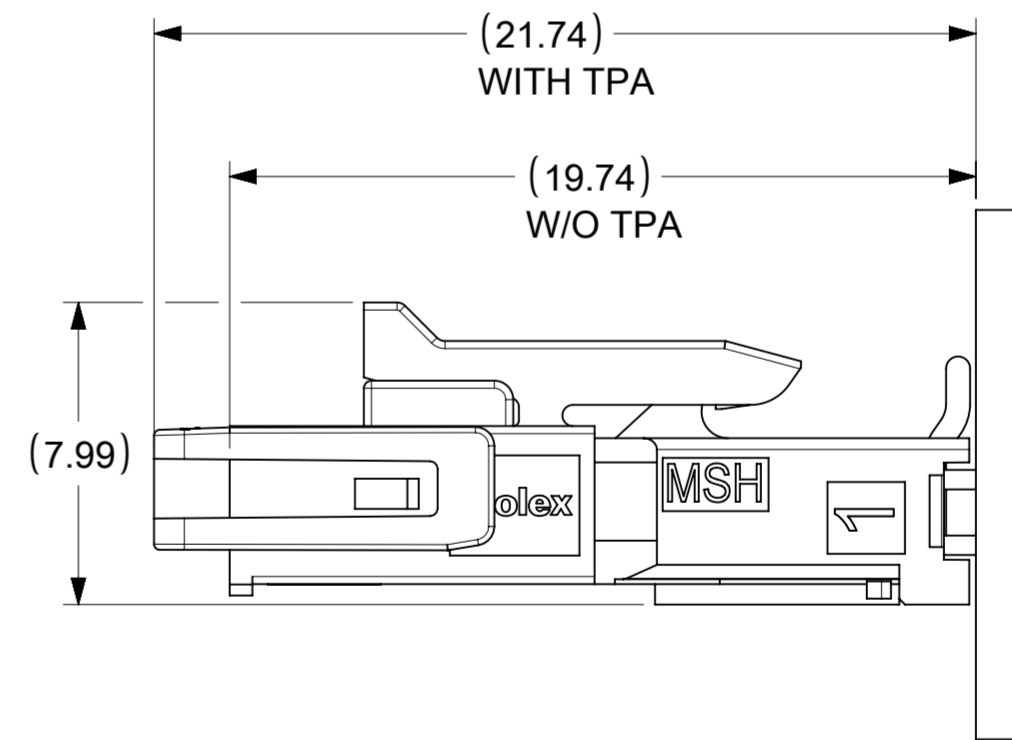
4CKT



5CKT



PCB LAYOUT: COMPONENT SIDE
RECOMMENDED THICKNESS :1.60 ±0.05MM



THIS DRAWING CONTAINS INFORMATION THAT IS PROPRIETARY TO MOLEX ELECTRONIC TECHNOLOGIES, LLC AND SHOULD NOT BE USED WITHOUT WRITTEN PERMISSION															
DIMENSION UNITS	SCALE	CURRENT REV DESC:													
mm	NTS														
GENERAL TOLERANCES (UNLESS SPECIFIED)					MICRO-FIT + SINGLE ROW VERTICAL SMT HEADER WITH PRESS CLIP PRODUCT CUSTOMER DRAWING										
ANGULAR TOL	±	3.0°	EC NO: 724761							DOCUMENT NUMBER		DOC TYPE	DOC PART	REVISION	
4 PLACES	±		DRWN: ZIXUAQ	2022/09/08						2189890030-SD		PSD	000	A	
3 PLACES	±		CHK'D: XQZHANG	2022/10/17											
2 PLACES	±	0.25	APPR: XQZHANG	2022/10/17						MATERIAL NUMBER		CUSTOMER		SHEET NUMBER	
1 PLACE	±	0.36	INITIAL REVISION:												
0 PLACES	±		DRWN: ZIXUAQ	2022/09/08	SEE TABLE		GENERAL MARKET		2 OF 2						
DRAFT WHERE APPLICABLE MUST REMAIN WITHIN DIMENSIONS		THIRD ANGLE PROJECTION		DRAWING	SERIES										
				A2-SIZE	218989										