

6

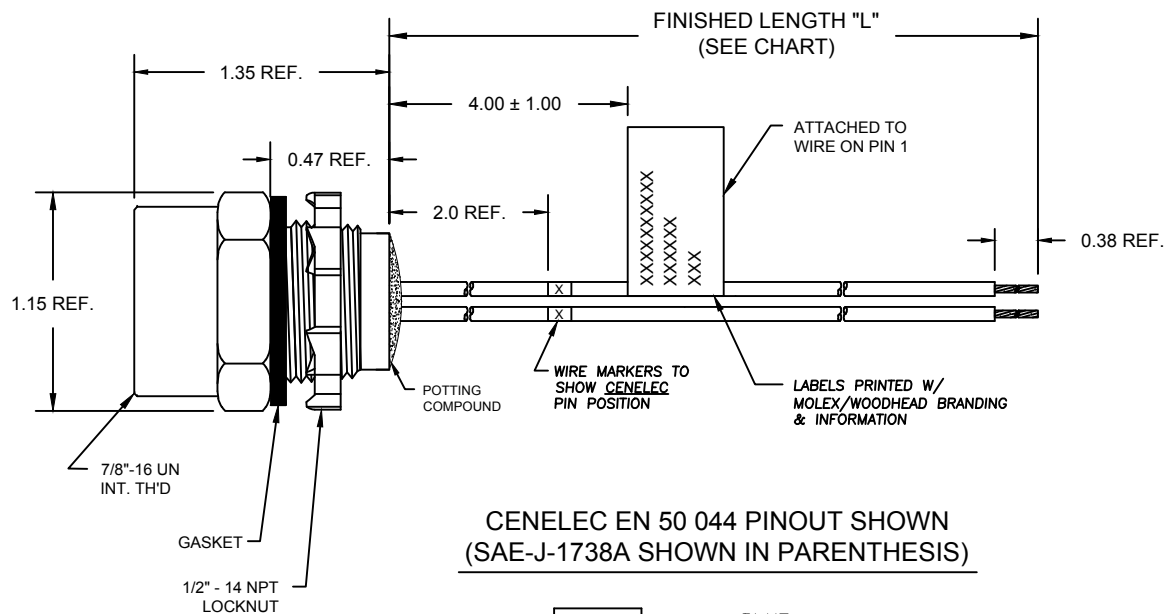
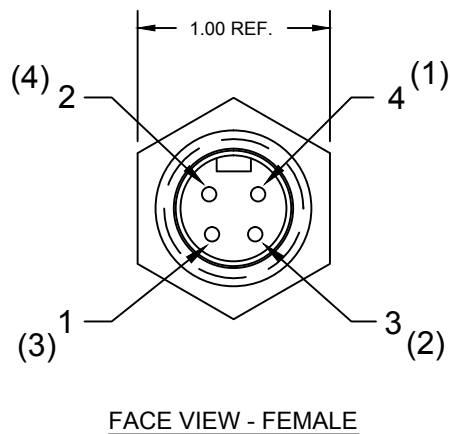
5

4

3

2

1



CENELEC EN 50 044 PINOUT SHOWN  
(SAE-J-1738A SHOWN IN PARENTHESIS)

1 (3)	BLUE
2 (4)	BLUE
3 (2)	BLUE/WHITE
4 (1)	BLUE/WHITE

SPECIFICATIONS:

SHELL MATERIAL: NICKEL-PLATED ZINC DIECAST  
 CONTACT MATERIAL: GOLD/NICKEL OVER COPPER ALLOY  
 INSERT MATERIAL: YELLOW TPE  
 LOCKNUT: ZINC-PLATED STEEL  
 GASKET: BLACK NEOPRENE

WIRES: #16-1, PVC LEADS  
 ASSEMBLY RATING: 600V, 10A

ENVIRONMENTAL: -20°C TO 105°C  
 IP67 WHEN MATED

AGENCY APPROVALS: UL LISTED

MOLEX SAP P/N#	ENGINEERING P/N#	"L" (Meters)	"L" (INCH)	TOLERANCE (INCH)
1300131048	1R4000AA2M020D	2.0 M	78.74"	+3.50"/-0.00"
1300131050	1R4000AA2M040D	4.0 M	157.48"	+6.50"/-0.00"

CENELEC PINOUT EC NO: IFC2012-1061 DRWN: YOU 2012/06/14 CHKD: BWOODMAN APPR: JFMURPHY 2012/07/05	QUALITY SYMBOLS	GENERAL TOLERANCES (UNLESS SPECIFIED)		DIMENSION STYLE INCH ONLY		SCALE 1:1	DESIGN UNITS INCH	THIRD ANGLE PROJECTION	
	$\nabla=0$ $\nabla C=0$	mm	INCH	DRAWN BY YOU	DATE 2012/06/14	TITLE			
		4 PLACES ±---	±---	CHECKED BY BWOODMAN		DATE 2012/02/17	MINI-CHANGE RECEPTACLE 4P F/FR 1/2 NPT MOUNT #16-1 PVC WIRES		
		3 PLACES ±---	±.005	APPROVED BY JFMURPHY		DATE 2012/07/05	MOLEX INCORPORATED		
	2 PLACES ±0.13	±.010	MATERIAL NO.		SEE CHART	DOCUMENT NO.	SD-130013-032		
	1 PLACE ±0.25	±.020	SIZE A		THIS DRAWING CONTAINS INFORMATION THAT IS PROPRIETARY TO MOLEX INCORPORATED AND SHOULD NOT BE USED WITHOUT WRITTEN PERMISSION				
	ANGULAR ± 5°		DRAFT WHERE APPLICABLE MUST REMAIN WITHIN DIMENSIONS						
3	REV							SHEET NO. 1 OF 1	

6

5

4

3

2

1