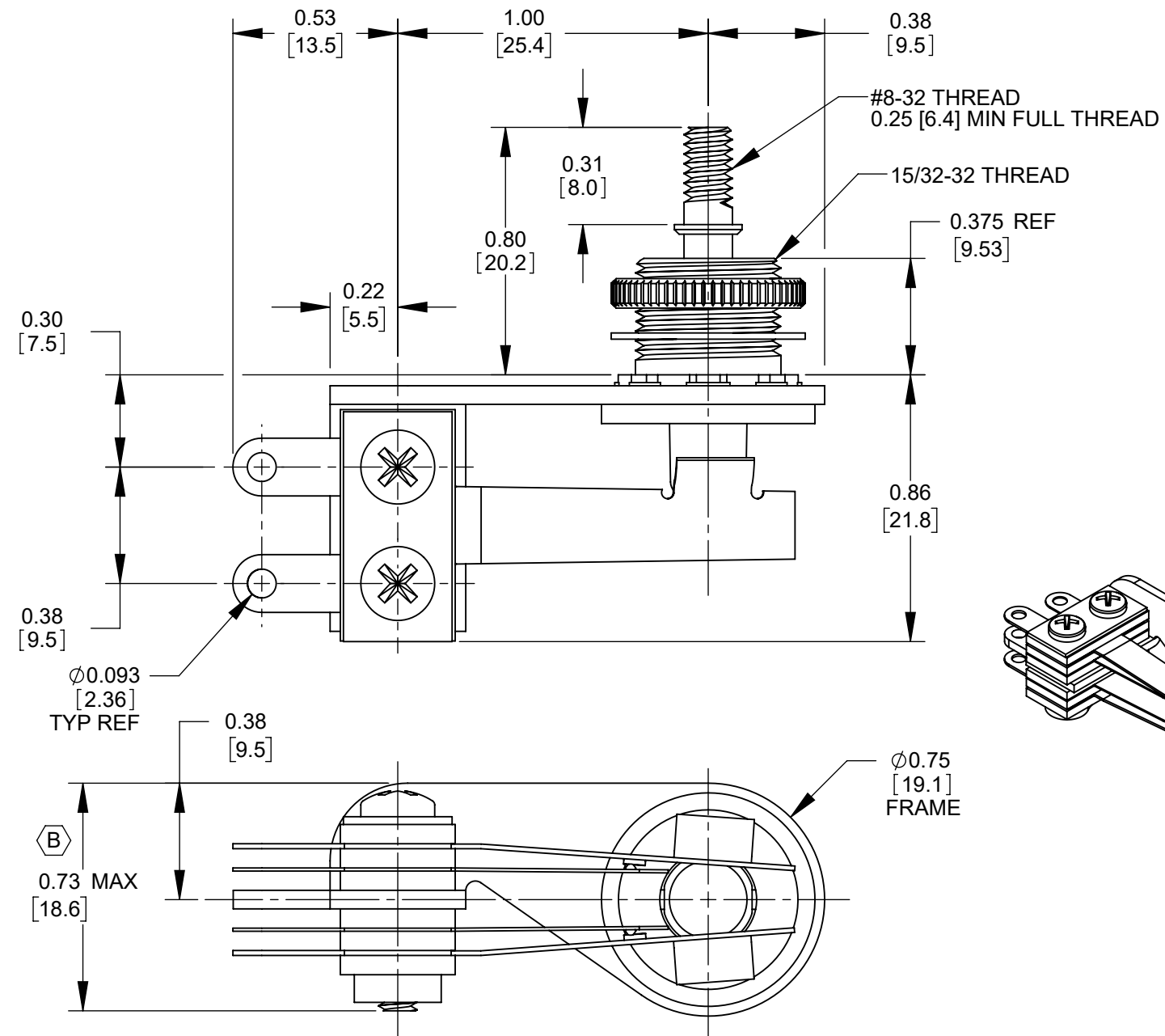
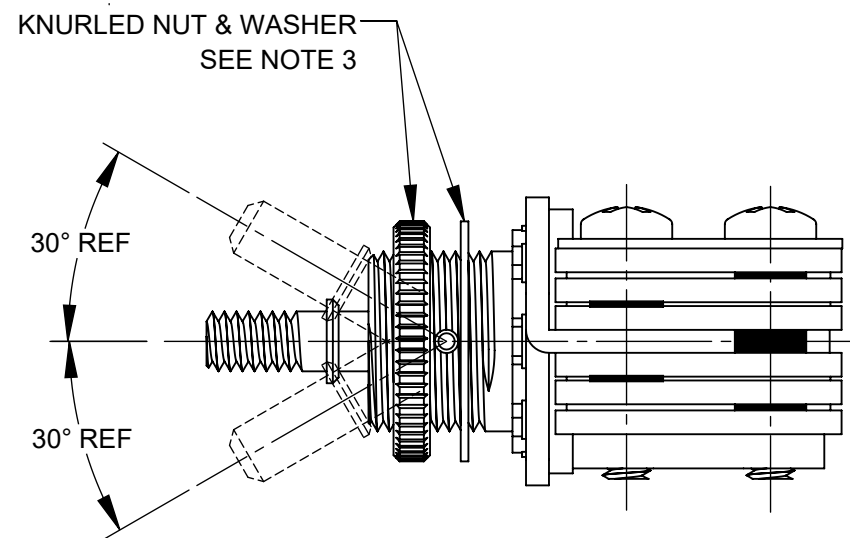




**SCHEMATIC**



**NOTES:**

1. MATERIALS:  
 FRAME - STEEL, NICKEL PLATED  
 SPRINGS - SPRING TEMPERED, NICKEL SILVER  
 BUSHING & SHAFT - BRASS, NICKEL PLATED  
 INSULATION - PHENOLIC  
 CONTACTS - GOLD  
 SCREWS - STEEL, NICKEL PLATED  
 SHAFT INSULATOR - NYLON  
 TUBING - THERMOPLASTIC  
 HARDWARE:  
 KNURLED NUT & WASHER - BRASS, NICKEL PLATED
2. ELECTRICAL CHARACTERISTICS:  
 - CONTACT RESISTANCE: 20 MILLIOHMS MAX  
 - CONTACT RATING: 3A, 300W MAX AC NON-INDUCTIVE LOAD  
 - LEAKAGE RESISTANCE: 1000 MEGAOHMS OR GREATER  
 - DIELECTRIC STRENGTH: 250 VDC
3. HARDWARE SHIPPED UNASSEMBLED.
4. THIS PRODUCT IS RoHS COMPLIANT.

**CUSTOMER DRAWING**

					THIS DRAWING DESCRIBES A DESIGN CONSIDERED PROPRIETARY IN NATURE, DEVELOPED AND MANUFACTURED BY SWITCHCRAFT INC. AND IS RELEASED ON A CONFIDENTIAL BASIS FOR IDENTIFICATION PURPOSES ONLY.				
					SIZE	WIDTH	MULT	LBS/M	TEMPER
					FINISH			MATERIAL	
					SPEC No.			SPEC No.	
					FIRST USED ON		SCALE		
							2:1		
DATE DRAWN		BY	CHKD		APVD				
2/22/10		RS	RS		TJK				
		2/22/10		03/11/20					
REV					NAME		PART No.		REV
ECO NUMBER					12000 SERIES RIGHT-ANGLE LEVER SWITCH, 3 POSITION LOCKING, RoHS		12017X		B
DATE									
BY									
APVD									
REVISIONS					DO NOT SCALE DRAWING				