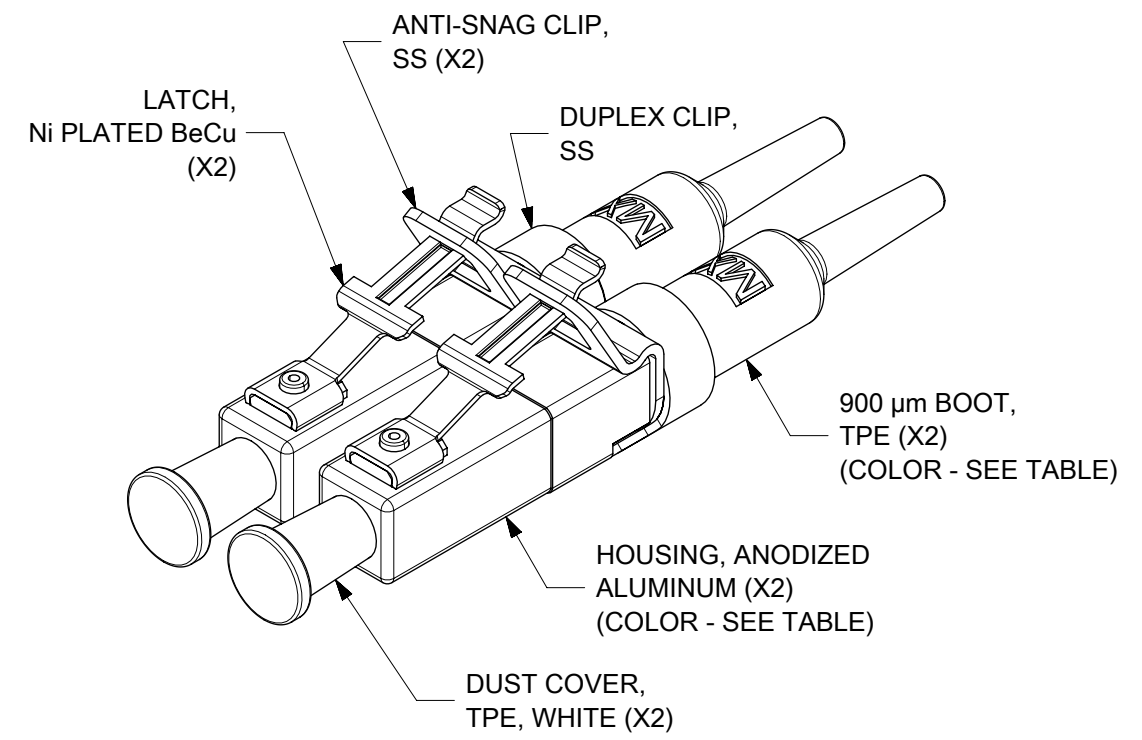
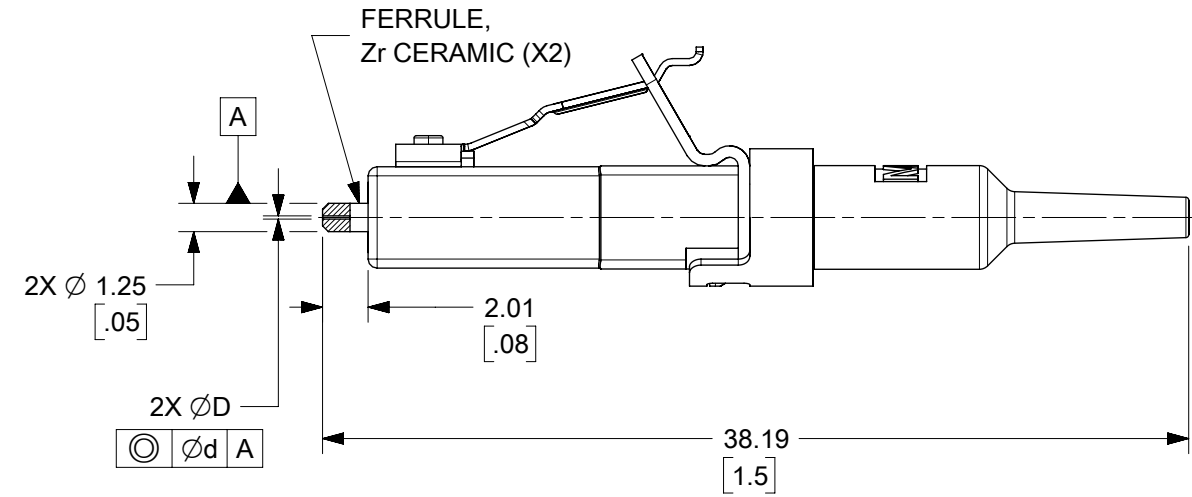
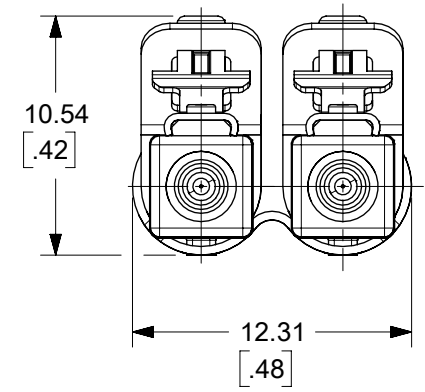
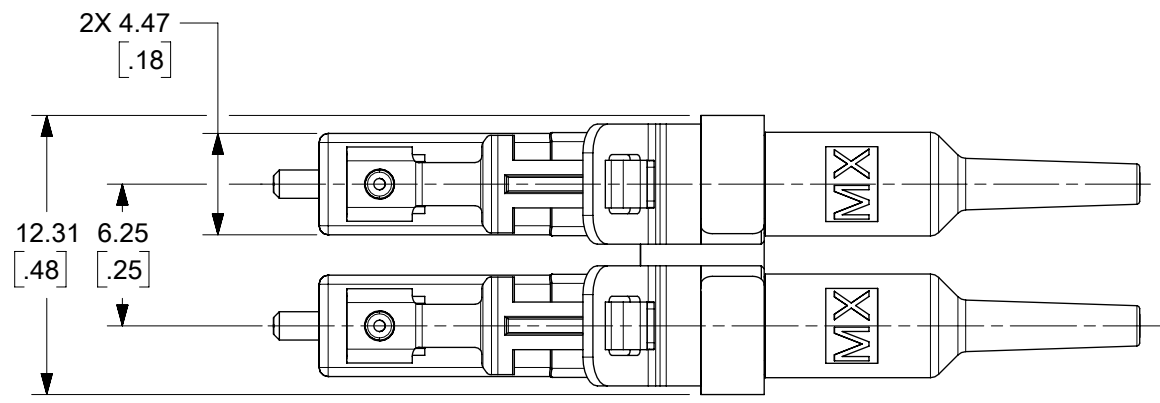


CONNECTOR P/N	ØD (µm)	Ød (µm)	CONNECTOR TYPE	HOUSING COLOR	BOOT COLOR
1063972202	125.5 +0.5/-0	0.5	Single Mode	Blue	Blue
1063972402	127.0 +3.0/-0	3.0	Multimode	Gold	White



NOTES:

- INTERFACE DIMENSIONS COMPLY TO IEC 61754-20 TYPE LC CONNECTOR FAMILY.
- FOR TERMINATION PROCEDURE USE STANDARD LC TERMINATION PROCEDURE.
- CONNECTOR TESTED TO PASS FOLLOWING STANDARDS:
- TELCORDIA GR-326-CORE (REFER TO TEST REPORT TR8796)

CONNECTOR IS SOLD AS A KIT. CUSTOMER IS RESPONSIBLE TO PERFORM THEIR OWN TEST TO VERIFY THEIR TERMINATION PROCESS AS A FINISHED PRODUCT.

FUNCTIONAL SYMBOLS	THIS DRAWING CONTAINS INFORMATION THAT IS PROPRIETARY TO MOLEX ELECTRONIC TECHNOLOGIES, LLC AND SHOULD NOT BE USED WITHOUT WRITTEN PERMISSION		CURRENT REV DESC:		molex		
	DIMENSION UNITS	SCALE					
MM/INCH	3:1	EC NO: 654175		LC2+ METAL CONNECTOR, DUPLEX, 900UM BUFFERED FIBER			
GENERAL TOLERANCES (UNLESS SPECIFIED)	ANGULAR TOL ± 0.5°		DRWN: IGUMIN		2020/12/30		
4 PLACES ±	3 PLACES ±		CHK'D: WCHEN		2021/01/29		
2 PLACES ±	1 PLACE ±		APPR: WCHEN		2021/01/29		
1 PLACE ±	0 PLACES ±		INITIAL REVISION:		PRODUCT CUSTOMER DRAWING		
DRAFT WHERE APPLICABLE MUST REMAIN WITHIN DIMENSIONS		THIRD ANGLE PROJECTION	DRAWING	SERIES	MATERIAL NUMBER	CUSTOMER	SHEET NUMBER
			B-SIZE	106397	SEE TABLE		1 OF 1