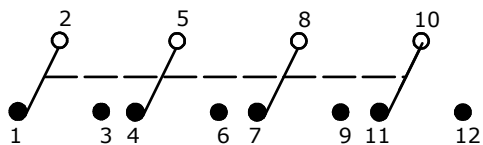


P.C. MOUNTING

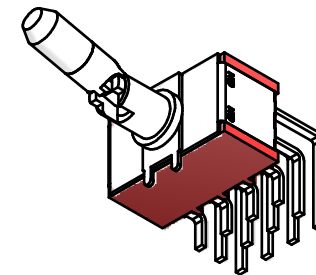
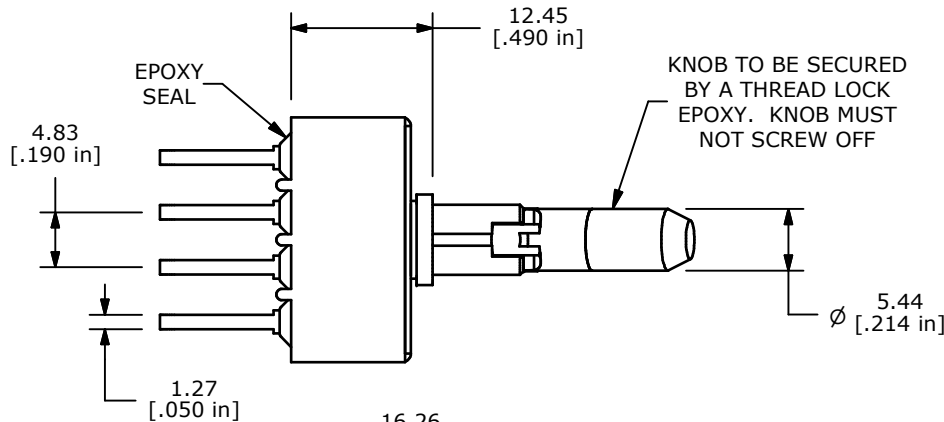
SWITCH FUNCTION		
POS. 1	POS. 2	POS. 3
ON	NONE	ON
2-3, 5-6, 8-9, 11-12	OPEN	2-1, 5-4, 8-7, 11-10



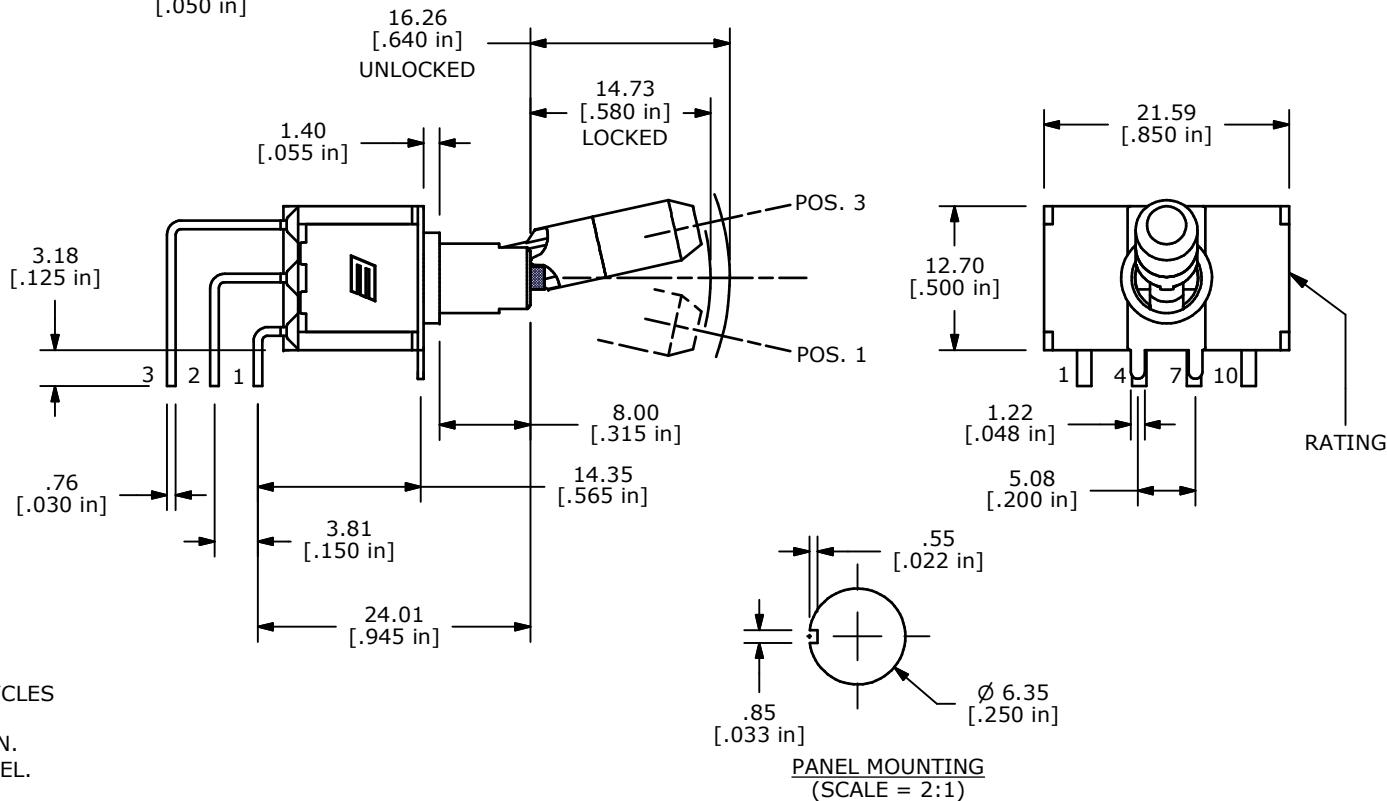
CIRCUIT: 4PDT

NOTE:

- ALL DIMENSIONS IN MM [INCH]
- GENERAL TOLERANCE: X.X=±0.4
X.XX=±0.25
- TERMINAL NUMBERS FOR REF ONLY
- PLATING MATERIAL: GOLD
- RATING: 0.4 VA @ 20V (AC or DC)
- MECHANICAL LIFE: 40,000 MAKE-AND-BREAK CYCLES AT FULL LOAD.
- INSULATION RESISTANCE: 1,000 MEGA-OHM MIN.
- DIELECTRIC STRENGTH: 1,000 V RMS @SEA LEVEL.
- OPERATING TEMP.: -30°C to 85°C
- ▲ DENOTES CRITICAL PARAMETER.



ISOMETRIC



PANEL MOUNTING
(SCALE = 2:1)



A	18271	RELEASE FOR PRODUCTION	10/10/08	BLR
REV	PCR NO	DESCRIPTION	DATE	BY

TITLE 1004P1K2B26M7RE				
SCALE	DATE	DR	DWG	REV
1.5 : 1	10/10/2008	BLR	T143006	A

THE INFORMATION CONTAINED IN THIS DOCUMENT IS PROPRIETARY TO E-SWITCH AND IS NOT TO BE COPIED OR TRANSFERRED