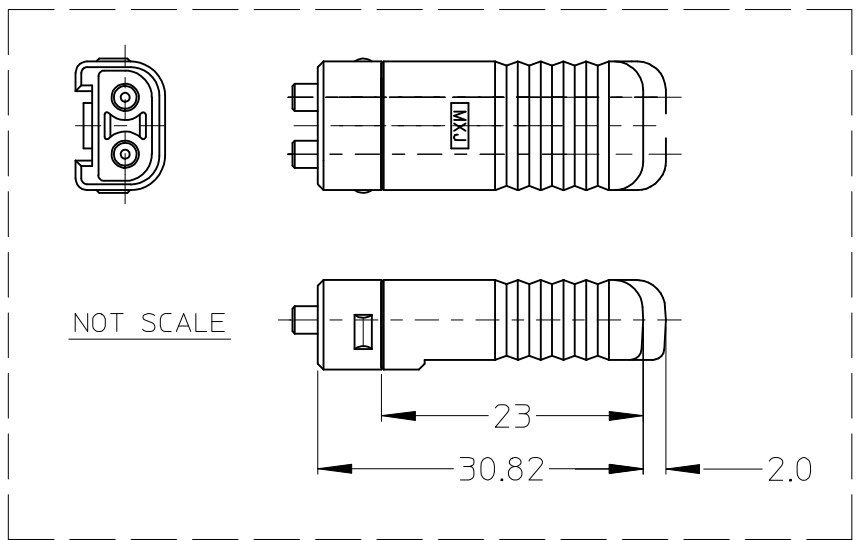
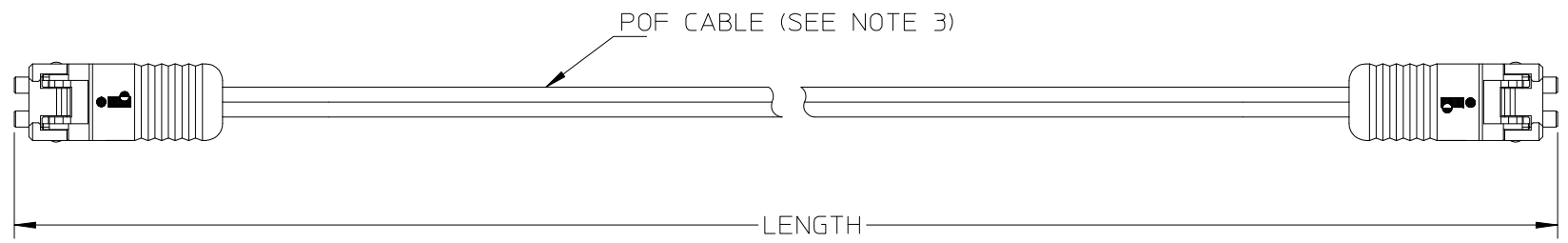


7 6 5 4 3 2 1



885319810	SMI-SMI DUP POF 2.2MM 0.3M	300(+50/-0)	<=3.0
885319809	SMI-SMI DUP POF 2.2MM 15M	15000(+200/-0)	<=6.0
885319808	SMI-SMI DUP POF 2.2MM 0.2M	200(+50/-0)	<=3.0
885319807	SMI-SMI DUP POF 2.2MM 50M	50000(+300/-0)	<=13.0
885319806	SMI-SMI DUP POF 2.2MM 30M	30000(+300/-0)	<=9.0
885319805	SMI-SMI DUP POF 2.2MM 20M	20000(+200/-0)	<=7.0
885319804	SMI-SMI DUP POF 2.2MM 10M	10000(+200/-0)	<=5.0
885319803	SMI-SMI DUP POF 2.2MM 5M	5000(+200/-0)	<=4.0
885319802	SMI-SMI DUP POF 2.2MM 3M	3000(+200/-0)	<=3.6
885319801	SMI-SMI DUP POF 2.2MM 2M	2000(+200/-0)	<=3.4
885319800	SMI-SMI DUP POF 2.2MM 1M	1000(+100/-0)	<=3.2
MX P/N	DESCRIPTION	LENGTH	IL(dB)

NOTES:  
 1. DUST CAPS ARE NOT SHOWN  
 2. IL MUST BE ACCORD TO RIGHT CHART PER CHANNEL @ 650nm. TEST DATA WILL BE PROVIDED WITH EACH PACKING  
 3. BLACK STEP INDEX Mitsubishi MHV4002 POF CABLE, CABLE CORE SIZE IS 1mm  
 4. THE ASSEMBLY IS RoHS COMPLIANT

<b>ENTER DESCRIPTION</b> EC NO: MF2014-0258 DRWN:SDXIE CHKD:JANE APPR:JOWANG	2013/10/25 2013/10/25 2013/10/30	<b>QUALITY SYMBOLS</b> $F_{\sigma} = 0$ $F_{\sigma} = 0$ $F_{\sigma} = 0$	<b>GENERAL TOLERANCES (UNLESS SPECIFIED)</b>		<b>DIMENSION STYLE</b> <b>MM ONLY</b>		SCALE ---	DESIGN UNITS <b>METRIC</b>	THIRD ANGLE PROJECTION			
					DRAWN BY XP	DATE 2006/06/29	<b>SMI-SMI DUP POF 2.2MM</b>					
					CHECKED BY LISA	DATE 2006/06/29						
					APPROVED BY JOHNNY	DATE 2006/06/29						
		ANGULAR $\pm$ --- °		MATERIAL NO. <b>SEE TABLE</b>		DOCUMENT NO. <b>SD-88531-980</b>		SHEET NO. 1 OF 1				
		DRAFT WHERE APPLICABLE MUST REMAIN WITHIN DIMENSIONS		SIZE <b>A 4</b>		THIS DRAWING CONTAINS INFORMATION THAT IS PROPRIETARY TO MOLEX INCORPORATED AND SHOULD NOT BE USED WITHOUT WRITTEN PERMISSION						

6 5 4 3 2 1