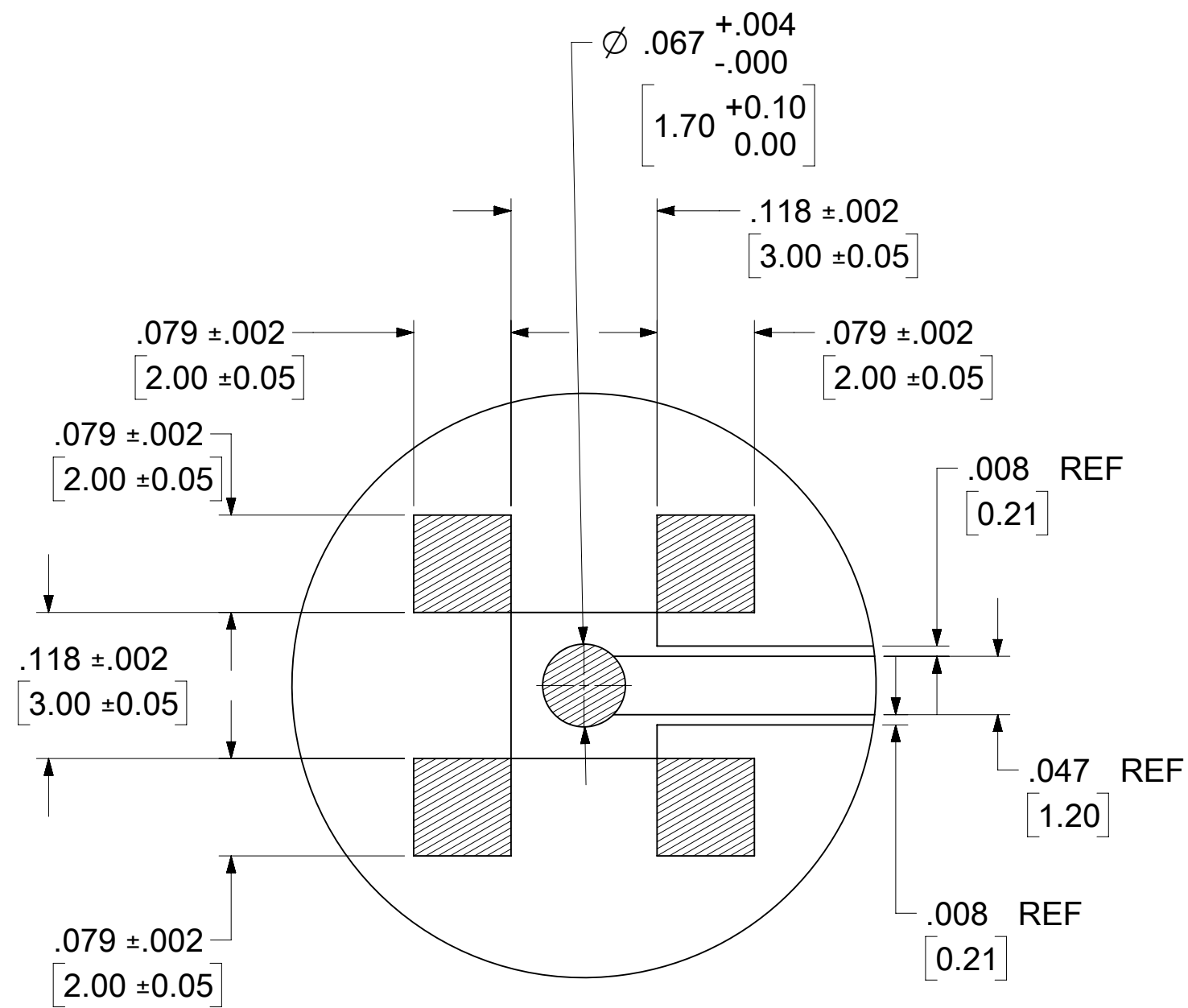
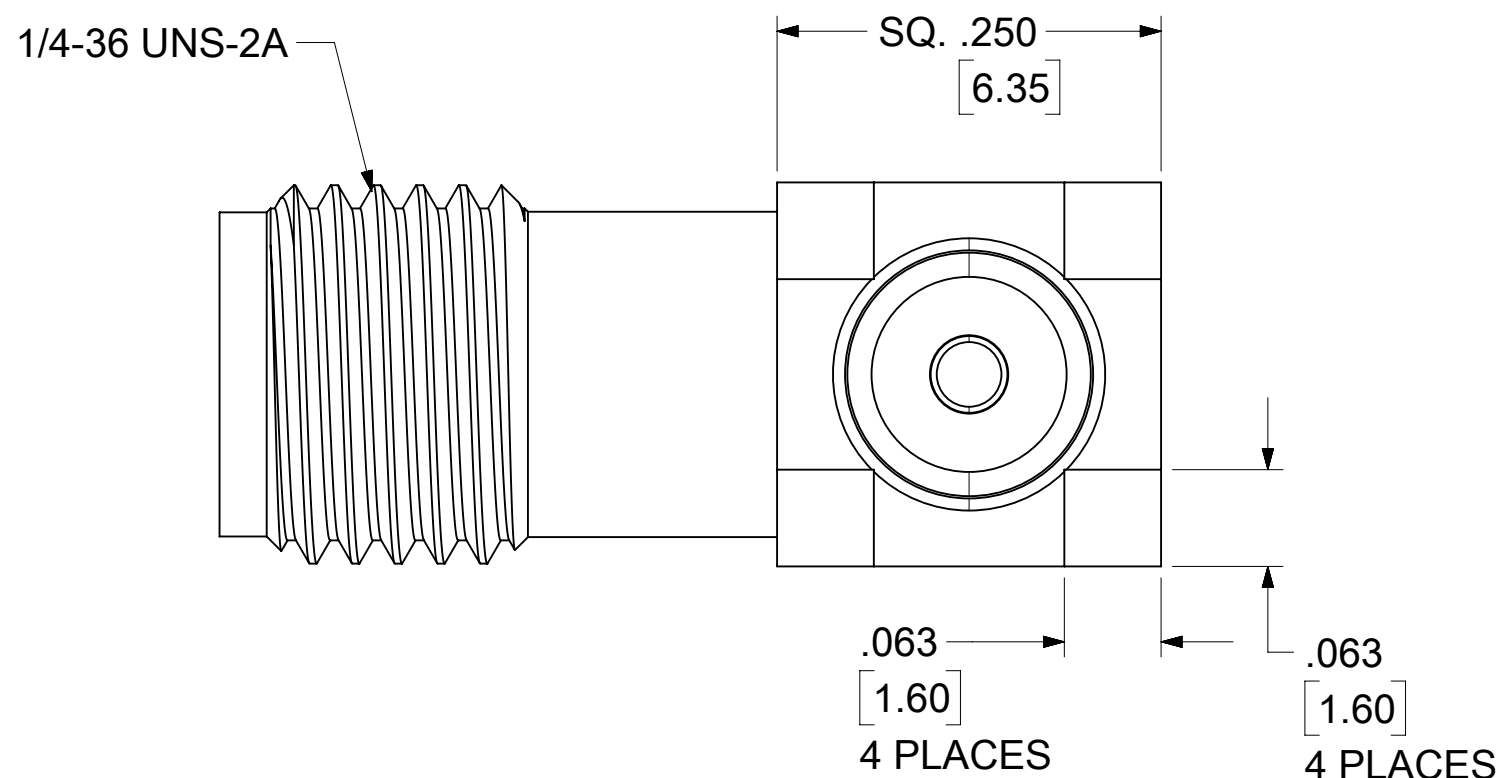
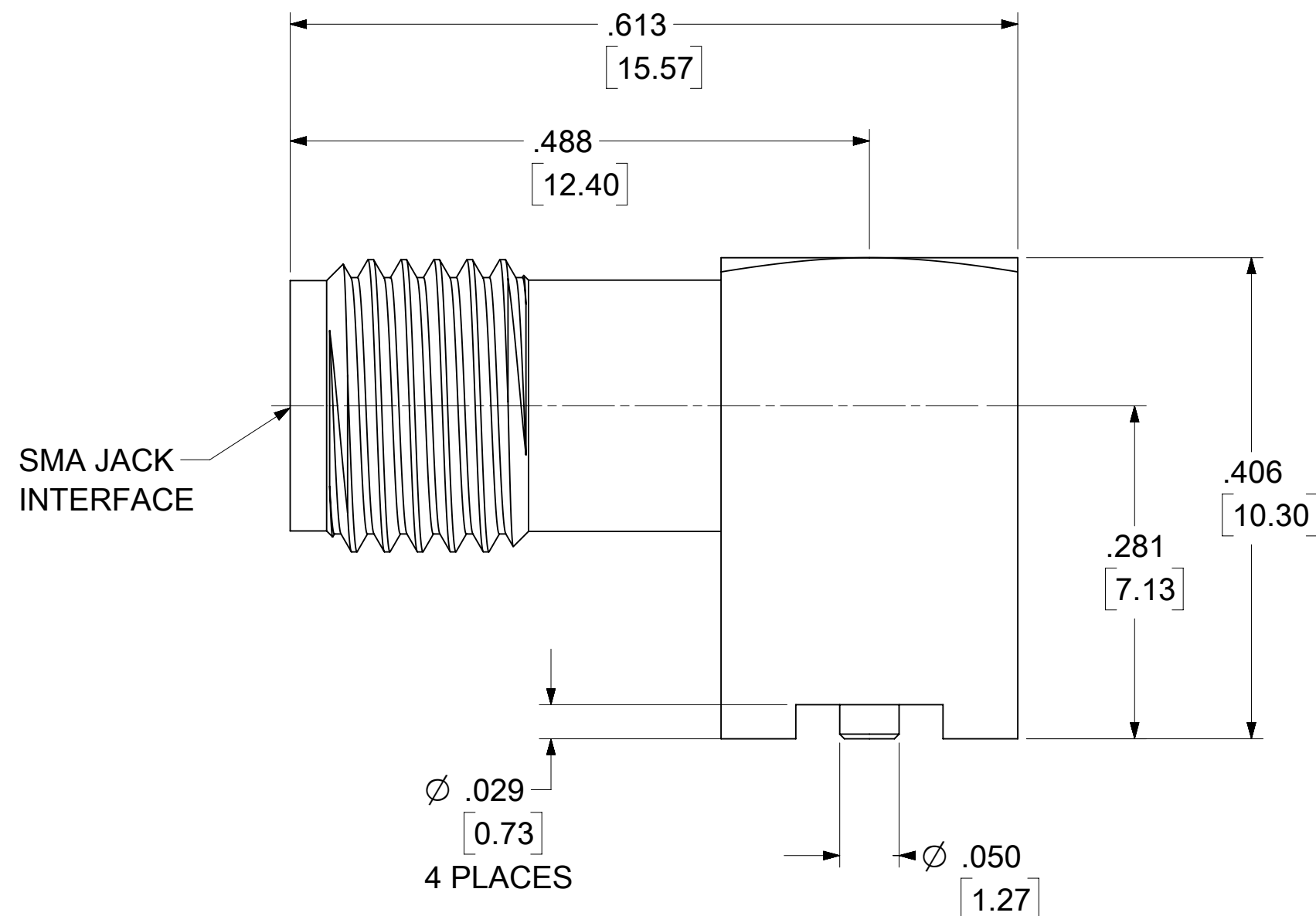
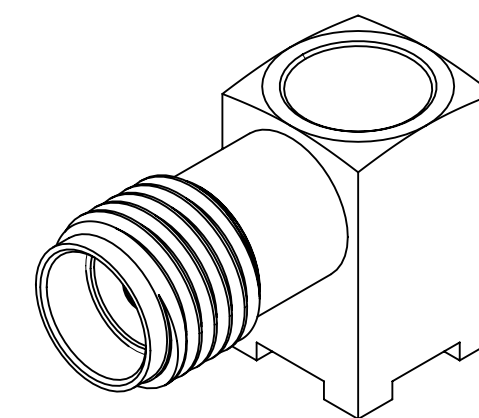


MATERIALS AND FINISHES:

BODY, COVER: BRASS
PLATED GOLD

CENTER CONTACT: BERYLLIUM COPPER
PLATED GOLD

INSULATOR: TEFLON



RECOMMENDED
PCB PATTERN

73251-2630	TRAY PER PK-89542-006
PART NO.	PACKAGING

PS-89675-346	ELECTRO/MECH PERF
MIL-STD-348A, FIG. 310.2	INTERFACE
SPECIFICATION	DESCRIPTION

FUNCTIONAL SYMBOLS FA = 0 EC = 0 EP = 0	THIS DRAWING CONTAINS INFORMATION THAT IS PROPRIETARY TO MOLEX ELECTRONIC TECHNOLOGIES, LLC AND SHOULD NOT BE USED WITHOUT WRITTEN PERMISSION		CURRENT REV DESC: ADD PKG NOTE PWE EWR15214-A		molex												
	DIMENSION UNITS	SCALE															
	DIVISIONAL SYMBOLS	IN/MM	NTS	EC NO: 707209	DRWN: CWEI02	2022/05/17	SMA JACK, RIGHT ANGLE SMT, 50 OHMS EWR-2680, SMA-J/PCB										
GENERAL TOLERANCES (UNLESS SPECIFIED)		ANGULAR TOL ± 2.0°		4 PLACES ±	3 PLACES ±	2 PLACES ±	1 PLACE ±	0 PLACES ±	CHK'D: YCHENG	2022/05/20	PRODUCT CUSTOMER DRAWING						
DRAFT WHERE APPLICABLE MUST REMAIN WITHIN DIMENSIONS		THIRD ANGLE PROJECTION	DRAWING	SERIES	DRWN: SSHAH	2008/05/21	APPR: JWIENER	2008/05/21	INITIAL REVISION:	DRWN: SSHAH	2008/05/21	APPR: JWIENER	2008/05/21				
DOCUMENT STATUS	P1	RELEASE DATE	2022/05/20	02:27:31	SEE TABLE	CUSTOMER	SAFETY CAST	SHEET NUMBER	1 OF 1	DOCUMENT NUMBER	SD-73251-263	DOC TYPE	PSD	DOC PART	001	REVISION	A2